

Project:	
Location:	
Model#: VPS22030-WRV	Type:
Client:	Qty:
Prepared by:	Date:

SERIES SPECIFICATIONS



To supply TamLite VPS Contractor Series of LED vapour proof fixtures as specified. The luminaire shall operate at 120-347Vac. The housing shall be constructed of Bayer® polycarbonate with a clamp down opal Bayer® polycarbonate lens. The fixture shall be IP65 rated and include an IP66 strain relief. A durable formed gasket shall be provided between the enclosure and the lens. All parts shall be corrosion resistant. The LED shall be supplied with the luminaire. The fixture shall be cULus Listed.



PERFORMANCE SPECIFICATIONS

Zonal Lumen Summary

ZONE	LUMENS	ZONE	LUMENS	ZONE	LUMENS	ZONE	LUMENS	ZONE	LUMENS
0-10		40-50		80-90		120-130		160-170	
10-20		50-60		90-100		130-140		170-180	
20-30		60-70		100-110		140-150	--	--	--
30-40		70-80		110-120		150-160	--	--	--



Project:																		
Location:																		
Model#: VPS22030-WRV											Type:							
Client:											Qty:							
Prepared by:											Date:							

Co-efficient of Utilization

CC	80				70				50			30			10			0
WALL	70	50	30	10	70	50	30	10	50	30	10	50	30	10	50	30	10	0
fc	20				20				20			20			20			0
RCR																		
0	117	117	117	117	113	113	113	113	107	107	107	100	100	100	95	95	95	92
1	105	99	94	90	101	96	92	88	90	87	83	85	82	79	80	78	76	73
2	95	86	78	72	91	83	76	70	78	72	67	74	69	65	69	65	62	59
3	86	75	66	59	83	72	64	58	68	61	56	64	59	54	61	56	52	49
4	78	66	56	49	75	64	55	49	60	53	47	57	51	46	54	49	44	42
5	72	59	49	42	69	57	48	42	54	46	40	51	44	39	48	43	38	36
6	66	53	43	37	64	51	42	36	48	41	35	46	39	34	44	38	33	31
7	61	48	38	32	59	46	38	32	44	36	31	42	35	30	40	34	29	27
8	57	43	35	29	55	42	34	28	40	33	28	38	32	27	37	31	26	24
9	53	40	31	26	51	39	31	25	37	30	25	35	29	24	34	28	24	22
10	50	37	28	23	48	36	28	23	34	27	22	33	26	22	31	26	21	20

Initial Lumen Output: 2714lm

Field Angle: 170 deg

Environmental Rating(s): IP65

Certification Standards: UL Safety US-CA
, DLC

Efficacy: 124.44lm/W

Luminaire Type: Semi-Direct

UL Classification: Wet Location Listed

CCN Number: IFA07.E470484

Beam Angle: 120 deg

Spacing Criteria: 1.26(0-180), 1.30(90-270)

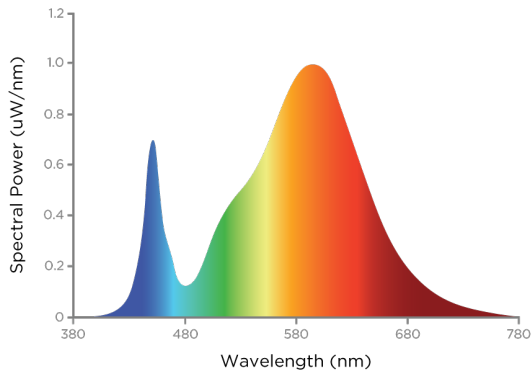
Ambient Operating Temp: -20C to +40C

Limited Product Warranty: 5 Year(s)

Project:	
Location:	
Model#: VPS22030-WRV	Type:
Client:	Qty:
Prepared by:	Date:

LED SPECIFICATIONS

SPD



Source Type: LED
Rg: 93

CRI: >80
Chromaticity: x=0.3816 y=0.3803

Rf: 83
Duv: 0.0013

ELECTRICAL SPECIFICATIONS

Input Voltage: 120~347Vac
Current Draw at 120Vac: 0.1712A
Power Factor at 120Vac: >.90
THD at 120Vac(%): <10%
Dimming: 0-10Vdc, (0% Min Light Level)
Driver Certifications: c-RU-us Class 2, FCC Part 15 Class B, RoHS

Input Frequency: 50-60Hz
Current Draw at 277Vac: 0.0743A
Power Factor at 277Vac: >.90
THD at 277Vac(%): <10%
Over Temperature Protection: Auto Recovery, The fixture shall shut down and return to operation when the temperature returns to normal.

Fixture Draw: 20.57W
Current Draw at 347Vac: 0.0689A
Power Factor at 347Vac: >.90
THD at 347Vac(%): <10%
Short Circuit Protection: Auto Recovery. The output shall return to normal when the fault condition is removed.

PHYSICAL SPECIFICATIONS

Finish Colour: Grey
Mounting: Surface, Suspended
Lens Type: Opal

Finish Type: Dye injected polycarbonate
Housing Material: Polycarbonate with Grey pigment powder
Reflector Material: Painted Steel

Wiring: 3 Conductor 18AWG
Lens Material: Poly Carbonate
Entries: Supplied with wet location fitting. Other knockout points also on housing.

Project:	
Location:	
Model#: VPS22030-WRV	Type:
Client:	Qty:
Prepared by:	Date:

SHIPPING INFORMATION

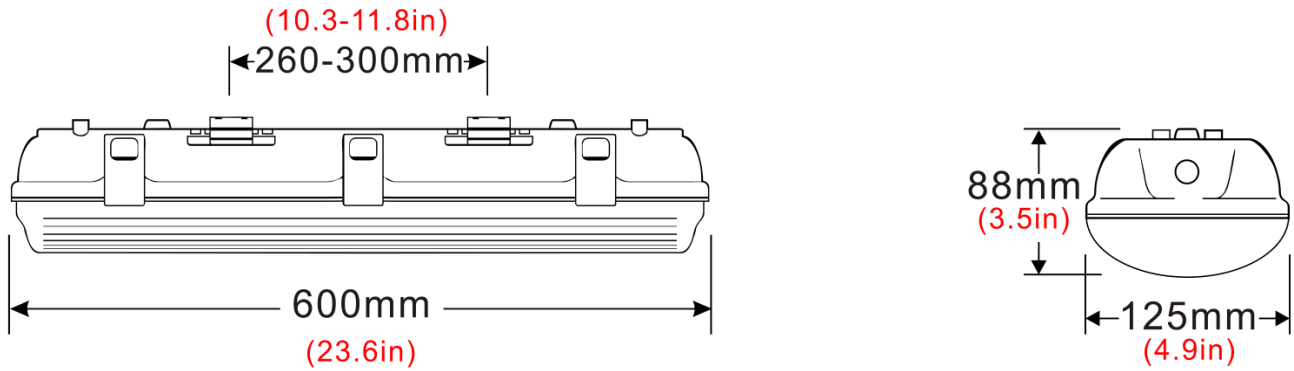
OrderingCode(s): VPS22030-WRV

Box Quantity: 1

Carton Quantity: 6

LINE DRAWING

Line Drawings



SERIES ARCHITECTURE

Series Architecture

VPS		2		20		SW		WRV	
Part	Size	Wattage		CCT		Voltage			
VPS	2 2FT	20	20W	40K	4000K	UNV	120-277VAC		
	4 4FT	40	40W	50K	5000K			WRV	120-347VAC
	8 8FT	80	80W	SW	3500K, 4000K, 5000K				

2FT	10W	13W	20W
3500K	1320 lm	1729 lm	2520 lm
4000K	1420 lm	1859 lm	2800 lm
5000K	1410 lm	1820 lm	2700 lm