



Project:	
Location:	
Model#: AR-PS3R	Type:
Client:	Qty:
Prepared by:	Date:

SERIES SPECIFICATIONS



To supply TamLite ARPS Series of LED fixtures as specified. The luminaire shall operate at and use a dimmable, constant current type driver. The housing shall be constructed of with a . All hardware to be stainless steel. Bottom access wiring compartment to be hinged and sealed with a durable foamed gasket. Fixtures to come standard with a NEMA7 style twist lock socket and shorting cap. Optics to be constructed of be sealed via captive gasket and complete with a LED's shall be as specified with a colour tolerance. Fixture shall be UL Safety US-CA listed.

PERFORMANCE SPECIFICATIONS

Certification Standards: UL Safety US-CA      CCN Number: IFAM7.E359675

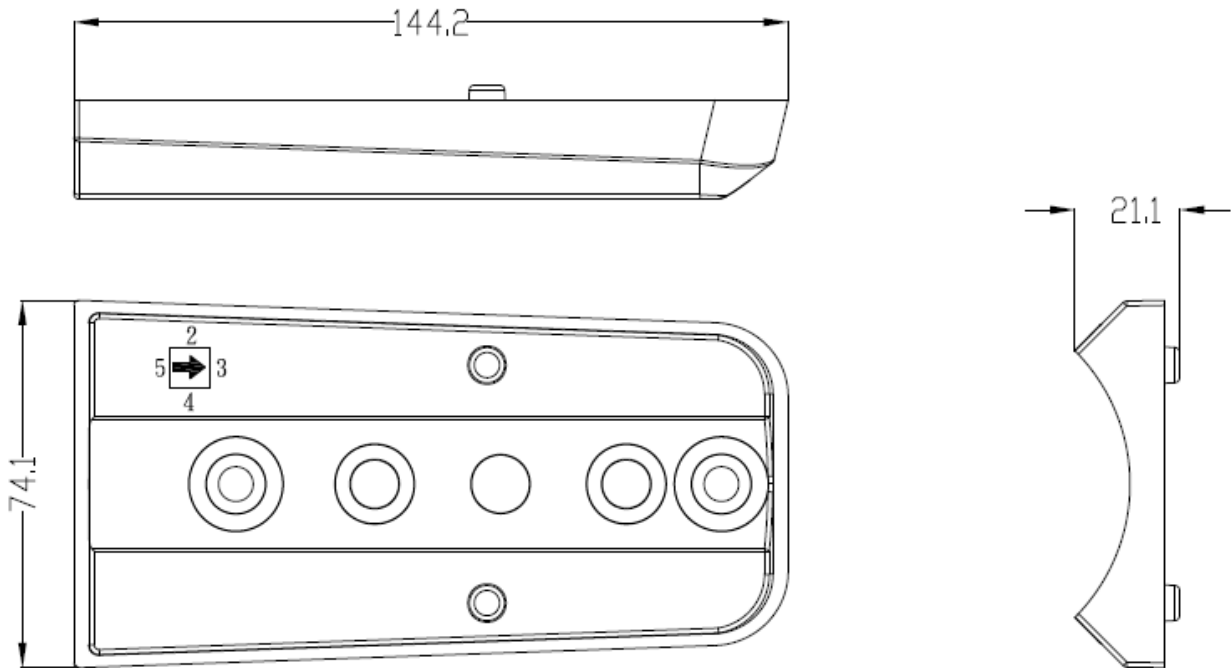
SHIPPING INFORMATION

Box Quantity: 1      Box Weight: 0.5 kg

Project:	
Location:	
Model#: AR-PS3R	Type:
Client:	Qty:
Prepared by:	Date:

LINE DRAWING

Line Drawings



SERIES ARCHITECTURE

Series Architecture

ARPS															
Part	Wattage		CCT		Mounting		Optics		Voltage		Finish		Accessories		
ARPS	35	35W	30K	3000K	SQ	SQ Pole Mount	T2	Type II	UNV	120-277VAC	BZ	Bronze	[blank]	None	
	75	75W	40K	4000K	3R	3" RD Pole	T2H	with House Side Shield	UN4	347VAC	BK	Black	O	Occupancy Sensor	
	140	140W	50K	5000K	4R	4" RD Pole	T3	Type III			WH	White	AR-N3PC-UNV	120VAC Photo control	
	185	185W	AM	Amber	5R	5" RD Pole	T3H	with House Side Shield				CC	Custom	AR-N3PC-UN4	347VAC Photo control
							SF	Slip Fitter	T4	Type IV					AR-SPIKE
							T4H	with House Side Shield					FSIR-100	Programming remote, sold separately	
							T5	Type V							
							T5H	with House Side Shield							