



Project:	
Location:	
Model#: TLD4A1530K-347V-HZ	Type:
Client:	Qty:
Prepared by:	Date:

**SERIES SPECIFICATIONS**

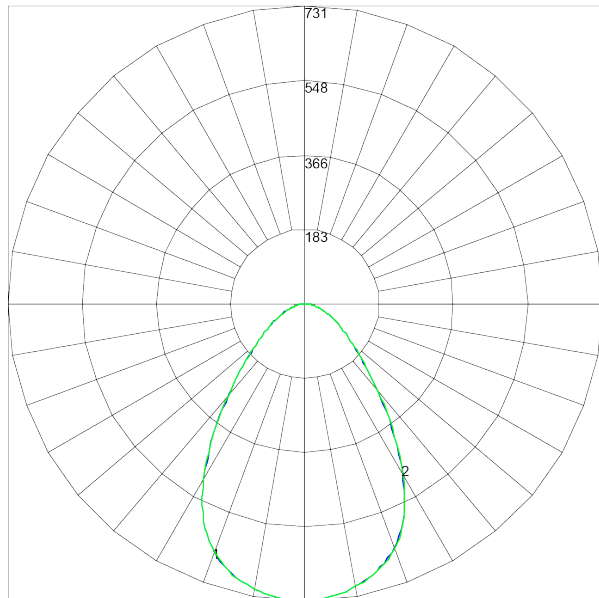


To supply Tamlite's TLD Series of LED Architectural Commercial Housing with Trims as specified. The housing shall operate at 347Vac and use a 1-10V dimmable, constant current type driver. Cable connections between light engine and driver shall use armored cable. Reflector shall be constructed of spun and die cast Aluminium. The LEDs shall be 1-10V Dimmable. Housing and Trim shall be c-UL-us listed.



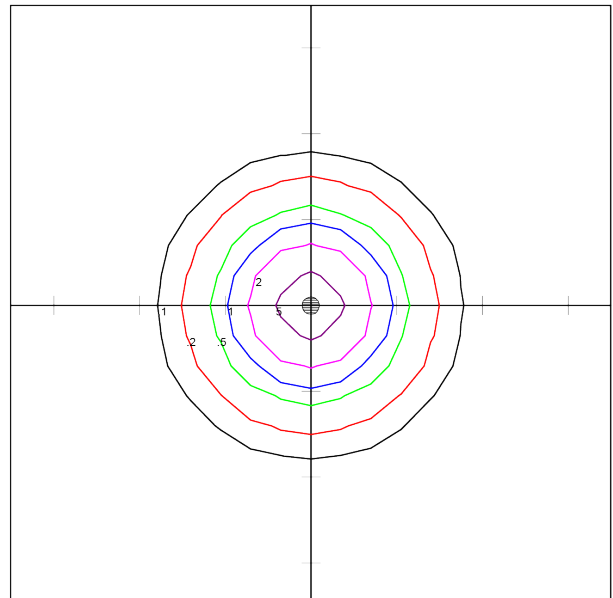
**PERFORMANCE SPECIFICATIONS**

**Luminance Distribution Chart**



Maximum Candela = 731.28 Located At Horizontal Angle = 225, Vertical Angle = 1  
 # 1 - Vertical Plane Through Horizontal Angles (225 - 45) (Through Max. Cd.)  
 # 2 - Vertical Plane Through Horizontal Angles (0 - 180)

**Isolux Diagram**



Tamlite Lighting  
 by Tamco Group Canada  
 10 Perdue Crt Caledon Ontario

Horizontal Footcandles  
 Scale: 1 inch = 10 Ft.  
 Light Loss Factor = 1.00  
 Lumens Per Lamp = N.A. (absolute photometry)  
 Luminaire Lumens = 1140  
 Mounting Height = 10.00 Ft  
 Maximum Calculated Value = 7.30 Fc  
 Arrangement: Single



<b>Project:</b>	
<b>Location:</b>	
<b>Model#:</b> TLD4A1530K-347V-HZ	<b>Type:</b>
<b>Client:</b>	<b>Qty:</b>
<b>Prepared by:</b>	<b>Date:</b>

**Zonal Lumen Summary**

ZONE	LUMENS	ZONE	LUMENS	ZONE	LUMENS	ZONE	LUMENS	ZONE	LUMENS
0-10	68.76	40-50	163.07	80-90	7.85	120-130	0.01	160-170	0.00
10-20	192.66	50-60	106.30	90-100	0.00	130-140	0.01	170-180	0.00
20-30	264.85	60-70	64.58	100-110	0.00	140-150	0.01	--	--
30-40	238.77	70-80	32.91	110-120	0.00	150-160	0.01	--	--

**Co-efficient of Utilization**

CC	80				70				50			30			10			0
WALL	70	50	30	10	70	50	30	10	50	30	10	50	30	10	50	30	10	0
fc	20				20				20			20			20			0
<b>RCR</b>																		
0	119	119	119	119	116	116	116	116	111	111	111	106	106	106	102	102	102	100
1	111	107	104	101	109	105	102	99	101	99	96	97	95	93	94	92	91	89
2	103	97	91	87	101	95	90	86	92	87	84	89	85	82	86	83	80	78
3	96	88	81	76	94	86	80	75	83	78	74	81	76	73	78	75	71	70
4	90	80	72	67	88	78	72	67	76	70	66	74	69	65	72	68	64	62
5	84	73	65	60	82	72	65	60	70	64	59	68	63	58	66	62	58	56
6	78	67	59	54	77	66	59	54	64	58	53	63	57	53	61	56	52	51
7	73	62	54	49	72	61	54	49	60	53	48	58	52	48	57	52	48	46
8	69	57	50	45	68	57	50	45	55	49	44	54	48	44	53	48	44	42
9	65	53	46	41	64	53	46	41	52	45	41	51	45	41	50	44	41	39
10	61	50	43	38	60	49	42	38	48	42	38	47	42	38	47	41	38	36

**Initial Lumen Output:** 1140lm

**Beam Angle:** 70 deg

**Spacing Criteria:** 1.06 (C0/180), 1.06 (C90/270)

**Ambient Operating Temp:** -30C to +40C

**Limited Product Warranty:** 5 Year(s)

**Efficacy:** 68.21lm/W

**Field Angle:** 127 deg

**Environmental Rating(s):** IP44

**Certification Standards:** UL Safety US-CA , RoHS

**CBCP:** 730cd

**Luminaire Type:** Direct

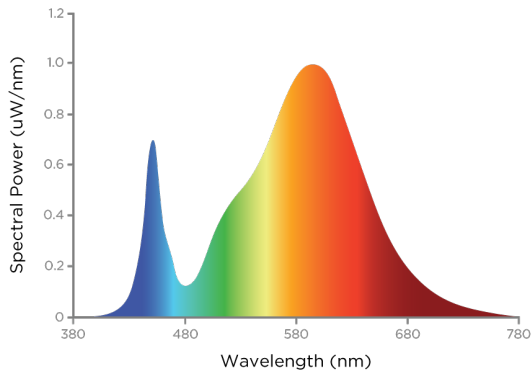
**UL Classification:** Wet Location Listed

**CCN Number:** IFA07.E470484

<b>Project:</b>	
<b>Location:</b>	
<b>Model#:</b> TLD4A1530K-347V-HZ	<b>Type:</b>
<b>Client:</b>	<b>Qty:</b>
<b>Prepared by:</b>	<b>Date:</b>

**LED SPECIFICATIONS**

**SPD**



**Source Type:** LED

**CRI:** >80

**Chromaticity:** x=0.3799 y=0.3777

**Manufacturer:** EVERLIGHT®

**L70:** 36000 Hrs.

**Duv:** 0.0006

**Part Number:** 62-217B

**Colour Temperature:** 3000K

**ELECTRICAL SPECIFICATIONS**

**Input Voltage:** 347Vac

**Current Draw at 347Vac:** 0.0482A

**Max Operating Case Temperature:** 65C

**Over Temperature Protection:** Auto

Recovery. Returning to normal after over temperature is removed.

**Input Frequency:** 50/60 hz

**Power Factor at 347Vac:** > 0.90

**Dimming:** 0-10Vdc, (0% Min Light Level)

**Short Circuit Protection:** Auto Recovery.

The output shall return to normal when the fault condition is removed.

**Fixture Draw:** 16.71W

**THD at 347Vac(%):** < 15%

**Dimming Current mA:** .5mA draw

**Driver Certifications:** cULus, RoHS

**PHYSICAL SPECIFICATIONS**

**Finish Colour:** Haze

**Mounting:** Recessed

**Lens Type:** Frosted

**Finish Type:** Electroplating

**Housing Material:** Galvanized Steel

**Reflector Material:** Spun and Die Cast Aluminium

**Wiring:** Frame mounted junction box

**Lens Material:** Polycarbonate

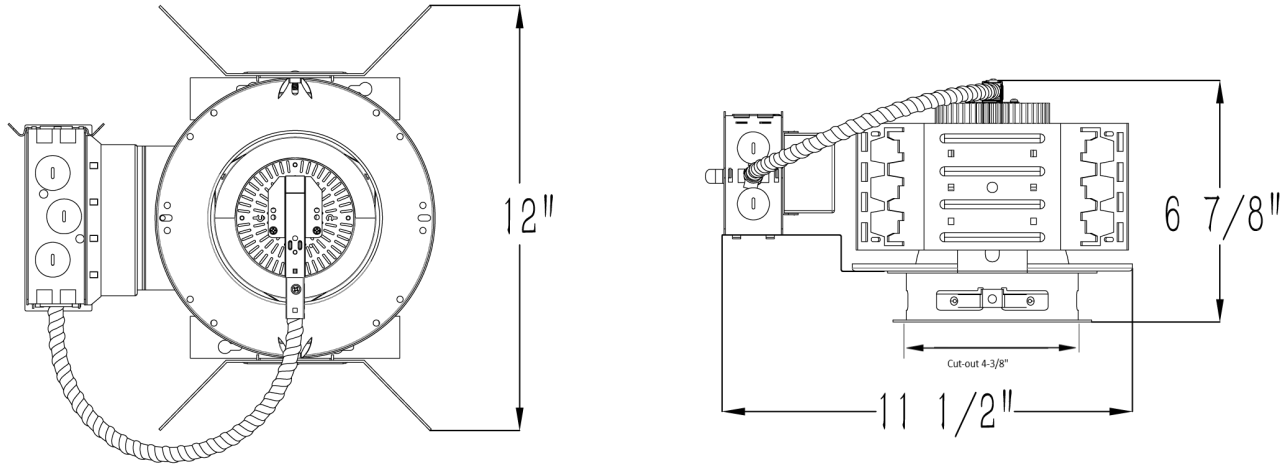
**SHIPPING INFORMATION**

**OrderingCode(s):** TLD4TR1530K-HZ + TLD4AH15-347V

Project:	
Location:	
Model#: TLD4A1530K-347V-HZ	Type:
Client:	Qty:
Prepared by:	Date:

## LINE DRAWING

### Line Drawings



## SERIES ARCHITECTURE

### Series Architecture

#### TLD SERIES NOMENCLATURE

Size	Wattage	CCT	Mounting	Voltage	Finish	Accessories
4	15	30K 3000K	A Architectural Housing	UNV 120 - 277VAC	HZ Haze	EM Emergency Backup Battery
6	21	35K 3500K	P Plaster Frame Housing	347 347VAC	SP Specular	
8	28	40K 4000K	R Remodel Housing		WH White	
	40	50K 5000K	RK Retrofit Kit		CC Custom Colour	
	48					
	52					

**Optional Extras:** AHSU - Suspension Arm, AHTBAR - T-bar Hanger Arms, RLSPK - Leaf Spring Retro Kit