

Project:	
Location:	
Model#: TLD6A1530K-347V-HZ	Type:
Client:	Qty:
Prepared by:	Date:

SERIES SPECIFICATIONS

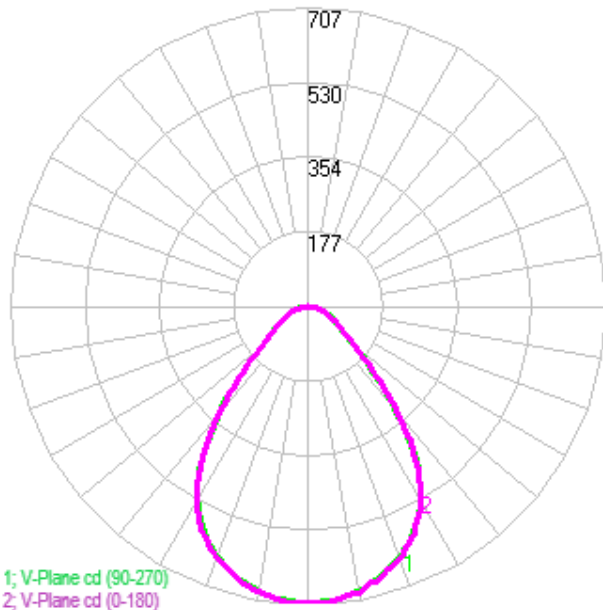


To supply Tamlite's TLD Series of LED Architectural Commercial Housing with Trims as specified. The housing shall operate at 347Vac and use a 1-10V dimmable, constant current type driver. Cable connections between light engine and driver shall use armored cable. Reflector shall be constructed of spun and die cast Aluminium. LEDs shall be as specified EVERLIGHT® 62-217B LED chips. The LEDs shall be 1-10V Dimmable. Housing and Trim shall be c-UL-us listed.

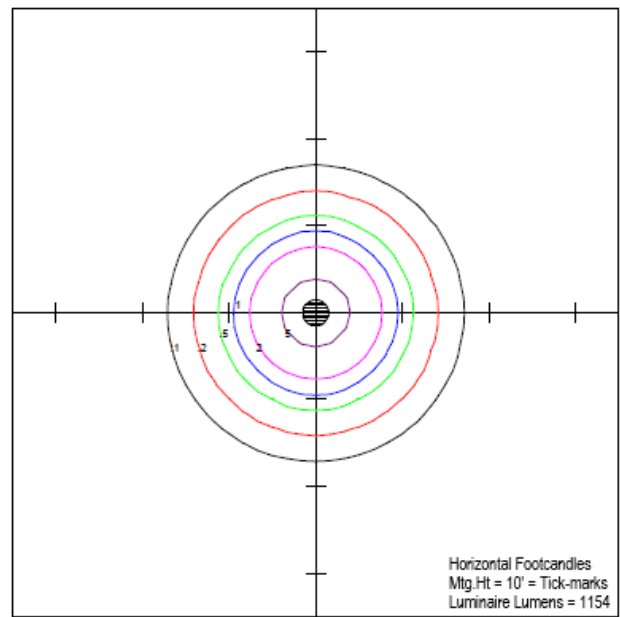


PERFORMANCE SPECIFICATIONS

Luminance Distribution Chart



Isolux Diagram





Project:	
Location:	
Model#: TLD6A1530K-347V-HZ	Type:
Client:	Qty:
Prepared by:	Date:

Co-efficient of Utilization

RC	80				70				50				30				10				0	
RW	70	50	30	10	70	50	30	10	50	30	10	50	30	10	50	30	10	50	30	10	0	
RF	20				20				20				20				20				20	
0	119	119	119	119	116	116	116	116	111	111	111	106	106	106	102	102	102	100				
1	111	108	104	101	109	105	103	100	101	99	97	98	96	94	94	92	91	89				
2	104	97	92	87	101	95	91	86	92	88	84	89	86	83	86	83	81	79				
3	97	88	82	76	94	87	81	76	84	79	74	81	77	73	79	75	72	70				
4	90	80	73	68	88	79	72	67	77	71	66	74	69	65	72	68	65	63				
5	84	73	66	60	82	72	65	60	70	64	59	68	63	59	67	62	58	56				
6	79	67	60	54	77	66	59	54	65	58	54	63	58	53	62	57	53	51				
7	74	62	55	49	72	61	54	49	60	54	49	59	53	49	57	52	48	47				
8	69	57	50	45	68	57	50	45	56	49	45	54	49	44	53	48	44	43				
9	65	53	46	41	64	53	46	41	52	45	41	51	45	41	50	45	41	39				
10	61	50	43	38	60	49	43	38	48	42	38	47	42	38	47	41	38	36				

Initial Lumen Output: 1140lm

Beam Angle: 79 deg

Spacing Criteria: 1.06 (C0/180), 1.06 (C90/270)

Ambient Operating Temp: -30C to +40C

Limited Product Warranty: 5 Year(s)

Efficacy: 68.21lm/W

Field Angle: 123 deg

Environmental Rating(s): IP44

Certification Standards: UL Safety US-CA , RoHS

CBCP: 730cd

Luminaire Type: Direct

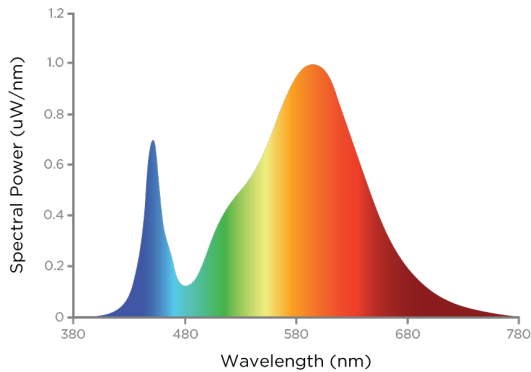
UL Classification: Wet Location Listed

CCN Number: IFA07.E470484

Project:	
Location:	
Model#: TLD6A1530K-347V-HZ	Type:
Client:	Qty:
Prepared by:	Date:

LED SPECIFICATIONS

SPD



Source Type: LED

CRI: >80

Chromaticity: x=0.3799 y=0.3777

Manufacturer: EVERLIGHT®

L70: 36000 Hrs.

Duv: 0.0006

Part Number: 62-217B

Colour Temperature: 3000K

ELECTRICAL SPECIFICATIONS

Input Voltage: 347Vac

Current Draw at 347Vac: 0.0482A

Max Operating Case Temperature: 65C

Over Temperature Protection: Auto

Recovery. Returning to normal after over temperature is removed.

Input Frequency: 50/60 hz

Power Factor at 347Vac: > 0.90

Dimming: 0-10Vdc, (0% Min Light Level)

Short Circuit Protection: Auto Recovery.

The output shall return to normal when the fault condition is removed.

Fixture Draw: 16.71W

THD at 347Vac(%): < 15%

Dimming Current mA: .5mA draw

Driver Certifications: cULus, RoHS

PHYSICAL SPECIFICATIONS

Finish Colour: Haze

Mounting: Recessed

Lens Type: Frosted

Finish Type: Electroplating

Housing Material: Galvanized Steel

Reflector Material: Spun and Die Cast Aluminium

Wiring: Frame mounted junction box

Lens Material: Polycarbonate

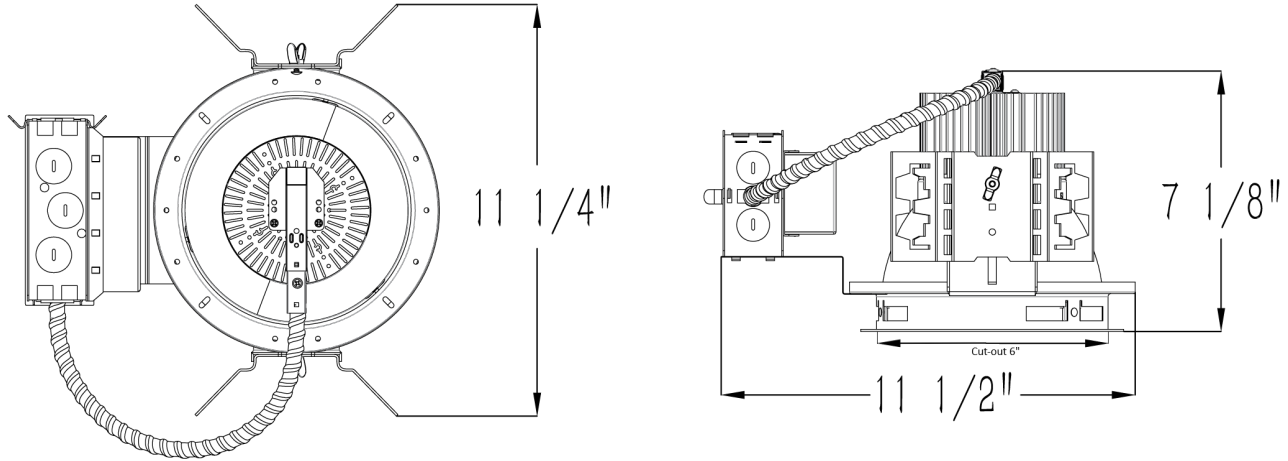
SHIPPING INFORMATION

OrderingCode(s): TLD6TR1530K-HZ + TLD6AH15-347V

Project:	
Location:	
Model#: TLD6A1530K-347V-HZ	Type:
Client:	Qty:
Prepared by:	Date:

LINE DRAWING

Line Drawings



SERIES ARCHITECTURE

Series Architecture

TLD SERIES NOMENCLATURE

Size	Wattage	CCT		Mounting		Voltage		Finish		Accessories	
4	15	30K	3000K	A	Architectural Housing	UNV	120 - 277VAC	HZ	Haze	EM	Emergency Backup Battery
6	21	35K	3500K	P	Plaster Frame Housing	347	347VAC	SP	Specular		
8	28	40K	4000K	R	Remodel Housing			WH	White		
	40	50K	5000K	RK	Retrofit Kit			CC	Custom Colour		
	48										
	52										