

Project:	
Location:	
Model#: EVK3-4A-BK	Type:
Client:	Qty:
Prepared by:	Date:

SERIES SPECIFICATIONS

To supply Tamllite DLELV Series of Tamper Proof Elevator Cab Lights as specified. The kit shall operate at 120Vac. Lamps shall be as specified, LED MR16 lamps with a GU5.3 base. Lamps are not included in the kit. Driver shall be included, and as specified 12VDC constant voltage, with a maximum output of 48W. The driver shall be cULus Listed



PERFORMANCE SPECIFICATIONS

Luminaire Type: Direct
Ambient Operating Temp: 0C to +40C

Environmental Rating(s): IP20
Certification Standards: cULus

UL Classification: Dry Location Only
Limited Product Warranty: 1 Year

LED SPECIFICATIONS

Source Type: MR16, GU5.3 base

CRI: >70

ELECTRICAL SPECIFICATIONS

Input Voltage: 120Vac
Dimming: Not Suitable for Dimming

Input Frequency: 50-60Hz

Fixture Draw: 48W

PHYSICAL SPECIFICATIONS

Finish Colour: Black
Mounting: Recessed

Finish Type: Anodized
Housing Material: Aluminium

Wiring: 106" wiring harness (47" driver to first fixture, 30" between fixtures)

SHIPPING INFORMATION

OrderingCode(s): EVK3-4A-BK

Box Weight: 0.7 kg
Carton Weight: 14.8 1

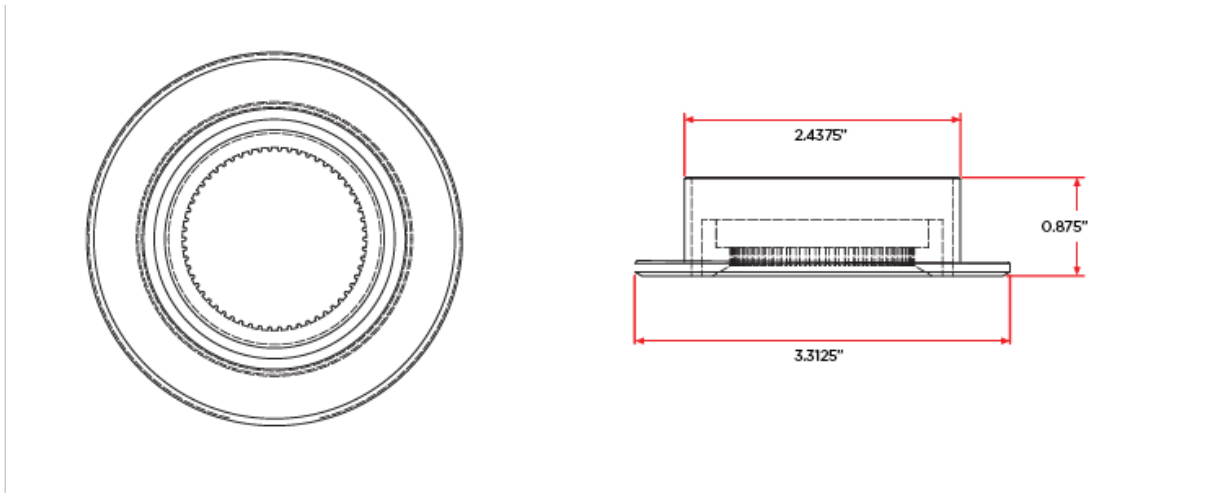
Box Quantity: 1
Carton Quantity: 20

Box Dimensions (L-W-H): 152 x 127 x 132 mm
Carton Dimensions (I-W-H): 620 x 270 x 320 mm

Project:	
Location:	
Model#: EVK3-4A-BK	Type:
Client:	Qty:
Prepared by:	Date:

LINE DRAWING

Line Drawings



SERIES ARCHITECTURE

Optional Extras: EVK-4A-DRIVER, EVK-ADAPTER, EVK-HARNESS, EVK-RS