

Project:	
Location:	
Model#: TLTP24-IP68-3KHLO-3M	Type:
Client:	Qty:
Prepared by:	Date:

## SERIES SPECIFICATIONS



To supply TamLite TLTP series of single colour 3000K LED Tape light. Tape shall use an integrated SMD LED cluster. Tape shall be 3oz Copper-PET Laminate rated at 5A. Tape shall be cuttable in intervals of 4 inches (101.6mm). Driver(24Vdc) and controls shall be external. Tape light shall be cETLus approved.



## PERFORMANCE SPECIFICATIONS

**Initial Lumen Output:** 800

**Ambient Operating Temp:** -20C to +40C

**Environmental Rating(s):** IP68

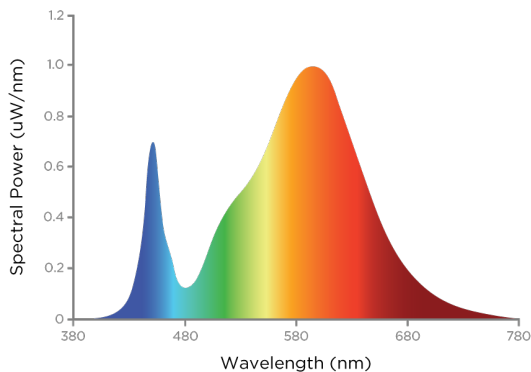
**Certification Standards:** cETLus

**UL Classification:** Wet Location Listed

**Limited Product Warranty:** 5 Year(s)

## LED SPECIFICATIONS

### SPD



**Source Type:** LED

**CRI:** >90

**Colour Temperature:** 3000K

Project:	
Location:	
Model#: TLTP24-IP68-3KHLO-3M	Type:
Client:	Qty:
Prepared by:	Date:

**ELECTRICAL SPECIFICATIONS**

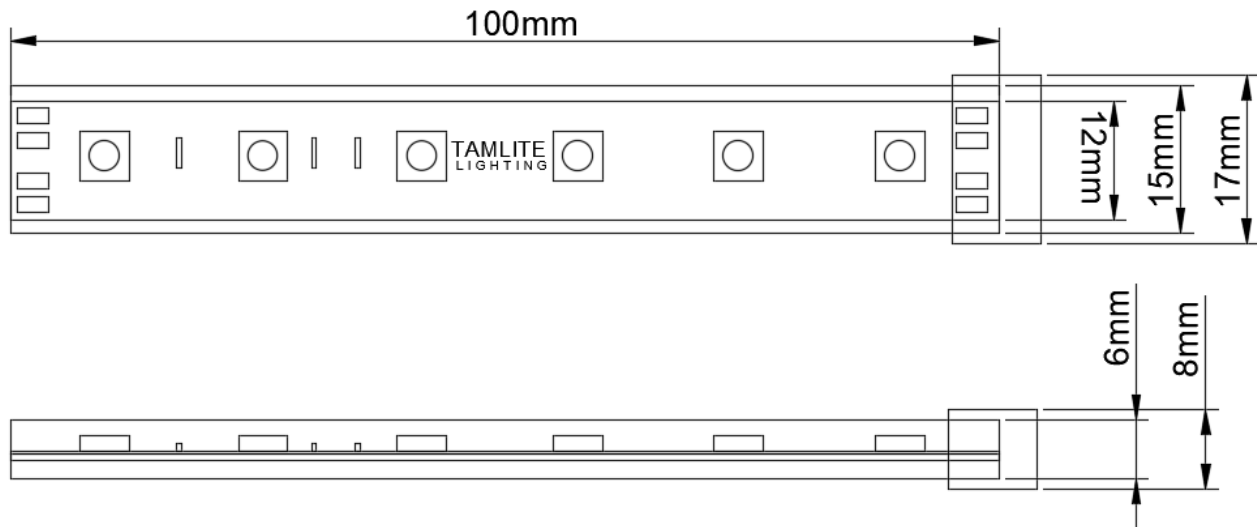
**Driver Part Number:** Sized and bought separately  
**Max On-Delay:** < 1S

**Input Voltage:** 24Vdc  
**Dimming:** With RF Controls

**Fixture Draw:** 14.4/m

**LINE DRAWING**

**Line Drawings**



**SERIES ARCHITECTURE**

**Optional Extras:** Power Supplies Mounting Channels TLCN\_XXX\_24\_X TLTP-5W50T TLTP-5W15C TLTP-5WBC TLTP-5WXC TLTP-5WTC TLTP-5WLC TLTP24-XX-CON