

Project:	
Location:	
Model#: ARWP2030KBT2-UNV-BZ	Type:
Client:	Qty:
Prepared by:	Date:

SERIES SPECIFICATIONS

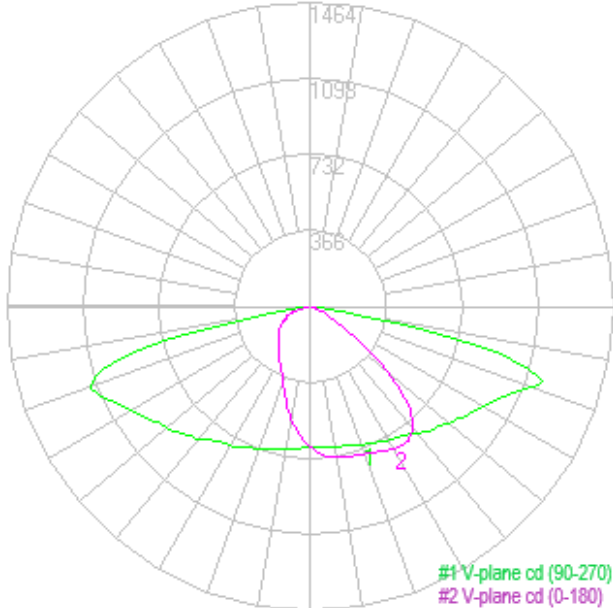


To supply Tamlite ARWP series of LED fixtures as specified. The luminaire shall operate at 120-277Vac and use a 1-10V dimmable, constant current type Inventronics driver. The housing shall be constructed of die cast Aluminium finished with a textured powder coat over a chromate conversion coat. All hardware to be stainless steel. Bottom access wiring compartment to be hinged and sealed with a durable formed gasket. Optics to be constructed of Acrylic and be sealed via captive gasket. LED's shall be as specified NICHIA® NVSL219B with a 3 step SDCM colour tolerance. Fixture shall be cULus Listed.



PERFORMANCE SPECIFICATIONS

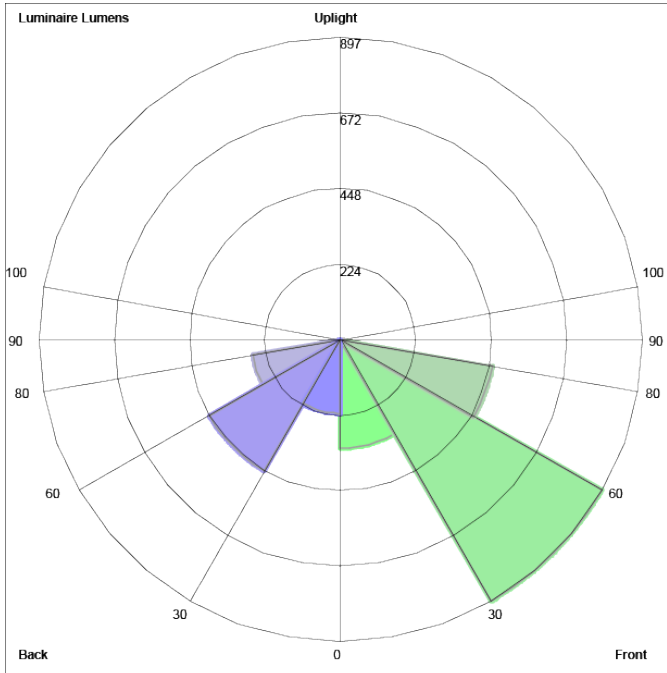
Luminance Distribution Chart





Project:	
Location:	
Model#: ARWP2030KBT2-UNV-BZ	Type:
Client:	Qty:
Prepared by:	Date:

BUG Graph



LUMINAIRE CLASSIFICATION SYSTEM (LCS)

	Lumens	% Lamp	% Luminaire
FL - Front-Low (0-30)	321.6	N.A.	12.2
FM - Front-Medium (30-60)	896.7	N.A.	34.1
FH - Front-High (60-80)	458.3	N.A.	17.4
FVH - Front-Very High (80-90)	10.2	N.A.	0.4
BL - Back-Low (0-30)	219.6	N.A.	8.4
BM - Back-Medium (30-60)	450.0	N.A.	17.1
BH - Back-High (60-80)	264.7	N.A.	10.1
BVH - Back-Very High (80-90)	5.6	N.A.	0.2
UL - Uplight-Low (90-100)	0.0	N.A.	0.0
UH - Uplight-High (100-180)	0.0	N.A.	0.0
Total	2626.7	N.A.	100.0
BUG Rating	B1-U0-G1		

Luminaire Lumens:
 Front: Low=321.6, Medium=896.7, High=458.3, Very High=10.2
 Back: Low=219.6, Medium=450.0, High=264.7, Very High=5.6
 Uplight: Low=0.0, High=0.0

Initial Lumen Output: 2627

Luminaire Type: Type II - Medium

Ambient Operating Temp: -40C to +40C

Limited Product Warranty: 10 Year(s)

Efficacy: 144 lm/W

Environmental Rating(s): IP66

Certification Standards: UL Safety US-CA

Max Candela: 1463.67cd (80 h, 72V)

UL Classification: Wet Location Listed

CCN Number: IFAM7.E359675

Project:	
Location:	
Model#: ARWP2030KBT2-UNV-BZ	Type:
Client:	Qty:
Prepared by:	Date:

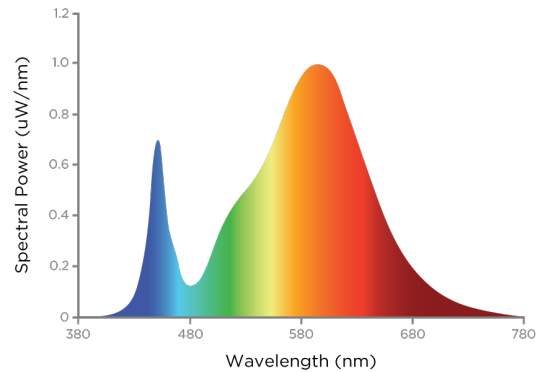
LED SPECIFICATIONS

R Tables

R1	73
R2	77
R3	80
R4	76
R5	74
R6	70
R7	80
R8	61

R9	0
R10	46
R11	76
R12	50
R13	73
R14	89
R15	67
--	--

SPD



Source Type: LED
CRI: >70
Chromaticity: x=0.4370 y=0.4041

Manufacturer: Nichia®
L70: 60000 Hrs.
Colour Tolerance: 3 SDCM

Part Number: NVSW219
Colour Temperature: 3000K
Duv: 0.0018

ELECTRICAL SPECIFICATIONS

Driver Manufacturer: Inventronics®
Fixture Draw: 18W
Inrush Current: 0.32A2S
Power Factor at 277Vac: > 0.90
Driver MTBF: 116,000 hrs
Over Temperature Protection: Decreases output current, returning to normal after over temperature is removed.

Input Voltage: 120-277Vac
Current Draw at 120Vac: 0.1500A
Max On-Delay: < 1S
THD at 120Vac(%): < 10%
Max Operating Case Temperature: 90C
Short Circuit Protection: Auto Recovery.
 The power supply shall self-recover when the fault condition is removed.

Input Frequency: 50/60 hz
Current Draw at 277Vac: 0.0650A
Auxiliary Control: 12Vdc
THD at 277Vac(%): < 10%
Dimming: 0-10Vdc, (0% Min Light Level)
Driver Certifications: c-RU-us Class 2, FCC Part 15 Class B, RoHS

PHYSICAL SPECIFICATIONS

Finish Colour: Bronze (RAL-8019)
Mounting: Vertical Wall Surface
Lens Type: Clear

Finish Type: Polyester powder coat over a chromate finish
Housing Material: ADC12 Aluminium
Entries: Gasketed Wire Entry

Wiring: Gasketed Wire Entries
Lens Material: PMMA

Project:	
Location:	
Model#: ARWP2030KBT2-UNV-BZ	Type:
Client:	Qty:
Prepared by:	Date:

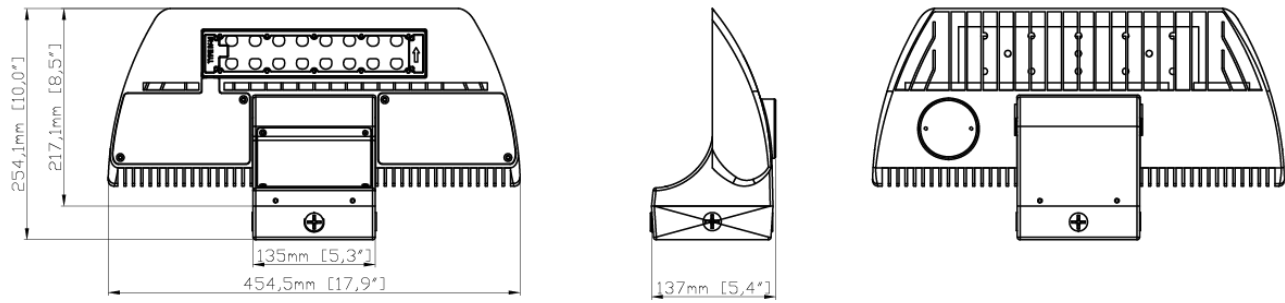
SHIPPING INFORMATION

OrderingCode(s): ARWP2030KBT2-UNV-BZ, ARWP-BB-S

Box Quantity: 1

LINE DRAWING

Line Drawings



SERIES ARCHITECTURE

Series Architecture

ARWP-														
Part	Wattage		CCT		Mounting		Optics		Voltage		Accessories			
ARWP	20	20W	30k	3000K	Blank	Wall Mount	T2	Type II	UNV	120-277VAC	BZ	Bronze	BBS	Back Box Small
	40	40W	40k	4000K	B	Back Box	T2H	Type II with House Side Shield	UN4	347VAC	BK	Black	BBM	Back Box Medium
	80	80W	50k	5000K			T3	Type III			WH	White	AR-N3PC-UNV	NEMA 3 Socket
	120	120W	AM	Amber			T3H	Type III with House Side Shield			CC	Custom	AR-N3PC-UN4	NEMA 7 Socket
							T4	Type IV					O	Occupancy Sensor
							T4H	Type IV with House Side Shield					FSIR-100	Programing Remote for Occupancy Sensor
							T5	Type V						
							T5H	Type V with House Side Shield						

Optional Extras: AR-N7S, AR-N3PC-UNV