

Project:	
Location:	
Model#: ARWP4030KBT2-UN4-BZ	Type:
Client:	Qty:
Prepared by:	Date:

SERIES SPECIFICATIONS

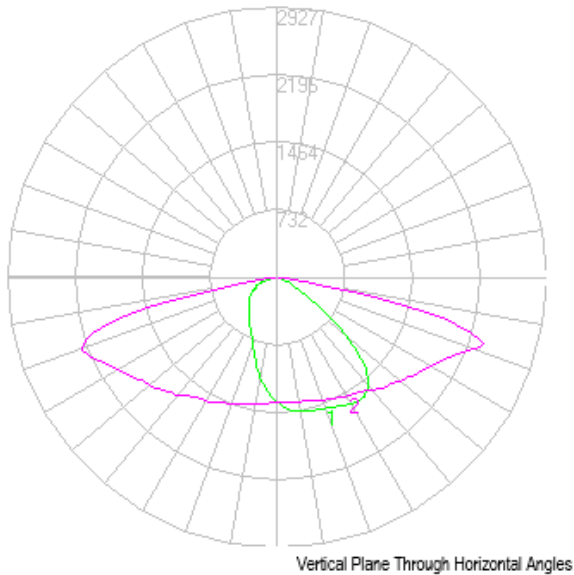


To supply TamLite ARWP series of LED fixtures as specified. The luminaire shall operate at 347-480Vac and use a 1-10V dimmable, constant current type Inventronics driver. The housing shall be constructed of die cast Aluminium finished with a textured powder coat over a chromate conversion coat. All hardware to be stainless steel. Bottom access wiring compartment to be hinged and sealed with a durable formed gasket. Optics to be constructed of Acrylic and be sealed via captive gasket. LED's shall be as specified NICHIA® NVSL219B with a 3 step SDCM colour tolerance. Fixture shall be cULus Listed.



PERFORMANCE SPECIFICATIONS

Luminance Distribution Chart



Initial Lumen Output: 5253
Environmental Rating(s): IP66
Certification Standards: UL Safety US-CA

Efficacy: 145
UL Classification: Wet Location Listed
CCN Number: IFAM7.E359675

Luminaire Type: Type II - Medium
Ambient Operating Temp: -40C to +40C
Limited Product Warranty: 10 Year(s)

Project:	
Location:	
Model#: ARWP4030KBT2-UN4-BZ	Type:
Client:	Qty:
Prepared by:	Date:

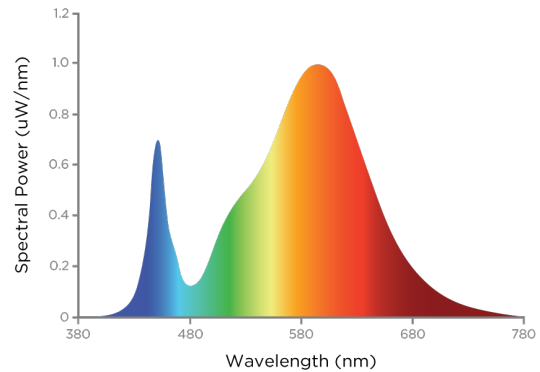
LED SPECIFICATIONS

R Tables

R1	73
R2	77
R3	80
R4	76
R5	74
R6	70
R7	80
R8	61

R9	0
R10	46
R11	76
R12	50
R13	73
R14	89
R15	67
--	--

SPD



Source Type: LED
CRI: >70
Chromaticity: x=0.4370 y=0.4041

Manufacturer: Nichia®
L70: >60,000 Hrs
Colour Tolerance: 3 SDCM

Part Number: NVSW219
Colour Temperature: 3000K
Duv: 0.0018

ELECTRICAL SPECIFICATIONS

Driver Manufacturer: Inventronics®
Fixture Draw: 36.48 W
Max On-Delay: < 1S
THD at 347Vac(%): < 15%
Dimming: 0-10Vdc, (0% Min Light Level)
Driver Certifications: c-RU-us Class 2, FCC Part 15 Class B, RoHS

Input Voltage: 347Vac
Current Draw at 347Vac: 0.1051A
Auxiliary Control: 12 Vdc
Driver MTBF: 116,000 hrs.
Over Temperature Protection: Decreases output current, returning to normal after over temperature is removed.

Input Frequency: 50/60 Hz
Inrush Current: 0.32A2S
Power Factor at 347Vac: > 0.95
Max Operating Case Temperature: 90C
Short Circuit Protection: Auto Recovery.
 The power supply shall self-recover when the fault condition is removed.

PHYSICAL SPECIFICATIONS

Finish Colour: Bronze (RAL-8019)
Mounting: Vertical Wall Surface
Lens Type: Clear

Finish Type: Polyester powder coat over a chromate finish
Housing Material: ADC12 Aluminium
Entries: Gasketed Wire Entry

Wiring: Gasketed Wire Entries
Lens Material: PMMA

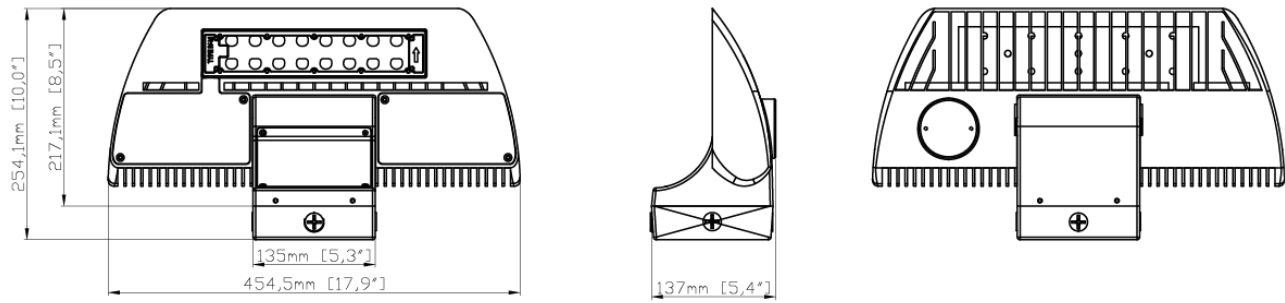
Project:	
Location:	
Model#: ARWP4030KBT2-UN4-BZ	Type:
Client:	Qty:
Prepared by:	Date:

SHIPPING INFORMATION

OrderingCode(s): ARWP4050KBT3-UNV-BK, AR-N7S ARWP-BB-S, ARWP-BB-S
Box Quantity: 1

LINE DRAWING

Line Drawings



SERIES ARCHITECTURE

Series Architecture

ARWP-														
Part	Wattage		CCT		Mounting		Optics		Voltage		Finish		Accessories	
ARWP	20	20W	30k	3000K	Blank	Wall Mount	T2	Type II	UNV	120-277VAC	BZ	Bronze	BBS	Back Box Small
	40	40W	40k	4000K	B	Back Box	T2H	Type II with House Side Shield	UN4	347VAC	BK	Black	BBM	Back Box Medium
	80	80W	50k	5000K			T3	Type III			WH	White	AR-N3PC-UNV	NEMA 3 Socket
	120	120W	AM	Amber			T3H	Type III with House Side Shield			CC	Custom	AR-N3PC-UN4	NEMA 7 Socket
							T4	Type IV					O	Occupancy Sensor
							T4H	Type IV with House Side Shield					FSIR-100	Programing Remote for Occupancy Sensor
							T5	Type V						
							T5H	Type V with House Side Shield						

Optional Extras: AR-N7S, AR-N3PC-UN4