



Project:	
Location:	
Model#: TLMSP153KK30D-UNV-BK	Type:
Client:	Qty:
Prepared by:	Date:

SERIES SPECIFICATIONS

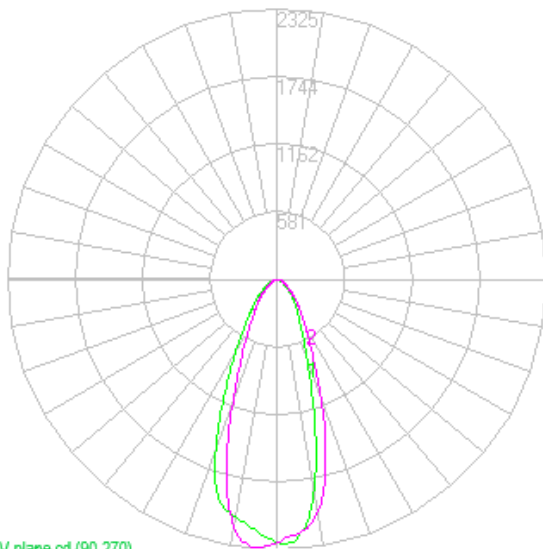


To supply TamLite TLMSP Series of outdoor LED spot lights as specified. The luminaire shall operate at 120-277Vac and use a LUMILEDS® Approved Driver. The housing shall be constructed of powder coated die-cast Aluminium with a gasketed polycarbonate lens. A durable formed gasket shall be provided between the enclosure and the lens. All parts shall be corrosion resistant. The LEDs shall be supplied with the luminaire. The fixture shall be cULus Listed and DLC Listed.



PERFORMANCE SPECIFICATIONS

Luminance Distribution Chart

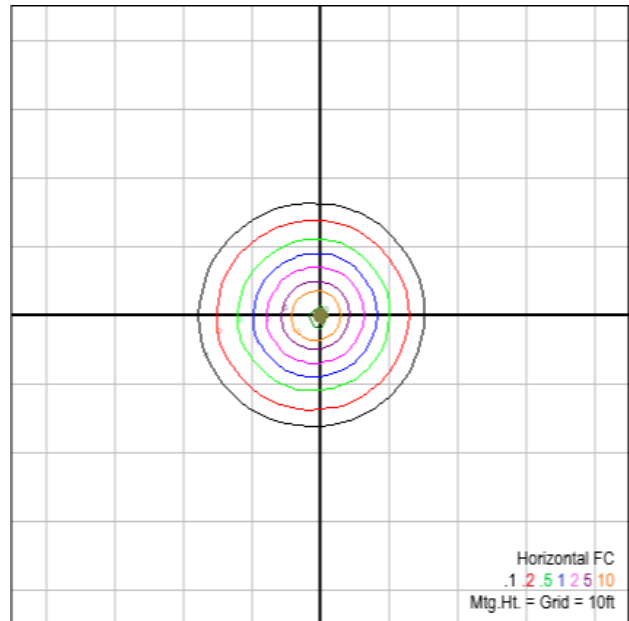


Initial Lumen Output: 1536lm
Beam Angle: 38.6 deg
UL Classification: Wet Location Listed
DLC Number: DDDIPB

Efficacy: 106.5lm/W
Field Angle: 83.9 deg
Ambient Operating Temp: -40C to +40C
CCN Number: IFAM7.E359675

CBCP: 2269cd
Environmental Rating(s): IP65
Certification Standards: UL Safety US-CA , DLC
Limited Product Warranty: 5 Year(s)

Isolux Diagram



Project:	
Location:	
Model#: TLMSP153KK30D-UNV-BK	Type:
Client:	Qty:
Prepared by:	Date:

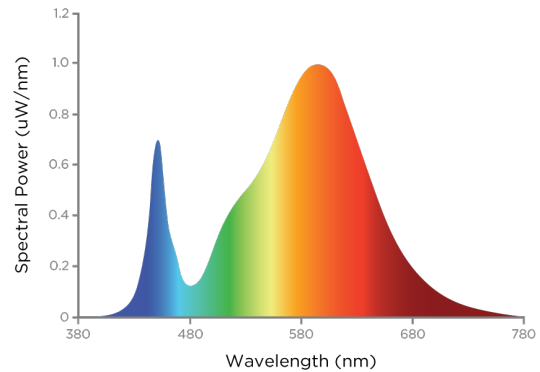
LED SPECIFICATIONS

R Tables

SPD

R1	81
R2	88
R3	92
R4	82
R5	81
R6	83
R7	87

R8	67
R9	8
R10	71
R11	80
R12	60
R13	83
R14	96



Source Type: LED
CRI: >70
Chromaticity: x=0.4328 y=0.4063

Manufacturer: Lumileds®
L70: 48000 Hrs
Duv: 0.005

Part Number: LUXEON 3030 2D
Colour Temperature: 3000K

ELECTRICAL SPECIFICATIONS

Driver Part Number: LUMILEDS®
 Approved Driver.
Fixture Draw: 14.53W
Max On-Delay: < 1 S
THD @277Vac(%): <20%
Dimming Current mA:
Driver Certifications: c-RU-us Class 2, FCC Part 15 Class B, RoHS

Input Voltage: 120~277Vac
Current Draw @ 120Vac: 0.1202A
Power Factor @120Vac:
Max Operating Case Temperature: 74C
Over Temperature Protection: Auto Recovery. The output shall return to normal when the fault condition is removed.

Input Frequency: 50-60Hz
Current Draw @ 277Vac: 0.0521A
THD @ 120Vac(%): <20%
Dimming: Not Suitable for Dimming
Short Circuit Protection: Auto Recovery. The output shall return to normal when the fault condition is removed.

PHYSICAL SPECIFICATIONS

Finish Colour: Black (RAL-9011)
Lens Material: PMMA

Mounting: ½" Knuckle Mount
Lens Type: Clear

Housing Material: ADC12 Aluminium
Entries: ½" Threaded Knuckle

Project:	
Location:	
Model#: TLMSP153KK30D-UNV-BK	Type:
Client:	Qty:
Prepared by:	Date:

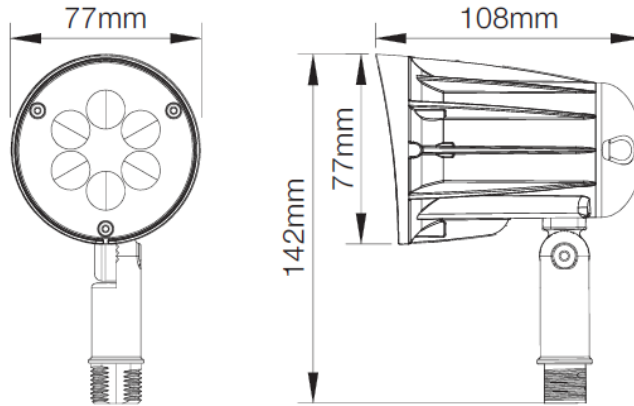
SHIPPING INFORMATION

OrderingCode(s): TLMSP153KK30D-UNV-BK

Box Quantity: 1

LINE DRAWING

Line Drawings



SERIES ARCHITECTURE

Series Architecture

TLMSP -												
Part	Wattage		CCT		Mounting		Optics		Voltage		Finish	
TLMSP	15	15W	3K	3000K	Blank	1/2" Threaded	30D	30 Degree	UNV	120-277VAC	BZ	Bronze
	28	28W	4K	4000K		Knuckle	60D	60 Degree				
	42	42W	5K	5000K								