



Project:	
Location:	
Model#: TLMSP283KK30D-UNV-BK	Type:
Client:	Qty:
Prepared by:	Date:

**SERIES SPECIFICATIONS**

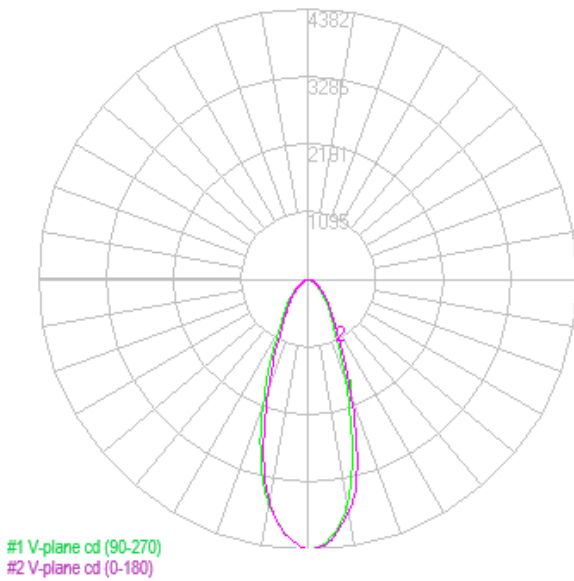


To supply TamLite TLMSP Series of outdoor LED spot lights as specified. The luminaire shall operate at 120-277Vac and use a LUMILEDS® Approved Driver. The housing shall be constructed of powder coated die-cast Aluminium with a gasketed polycarbonate lens. A durable formed gasket shall be provided between the enclosure and the lens. All parts shall be corrosion resistant. The LEDs shall be supplied with the luminaire. The fixture shall be cULus Listed and DLC Listed.

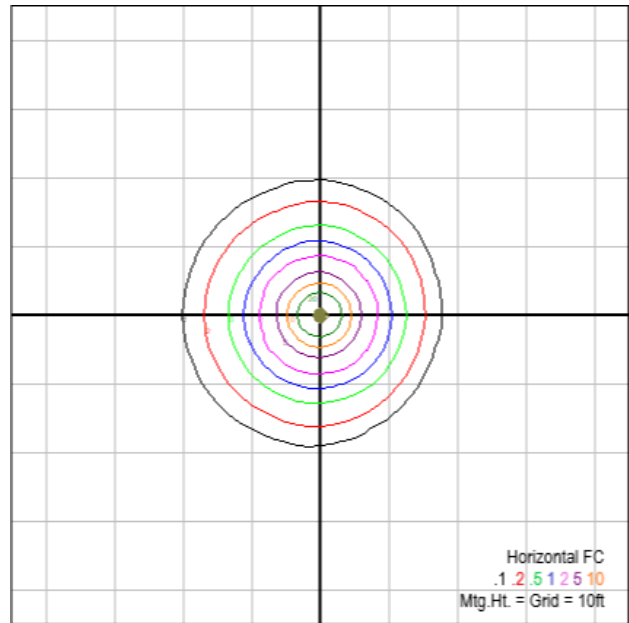


**PERFORMANCE SPECIFICATIONS**

**Luminance Distribution Chart**



**Isolux Diagram**



**Initial Lumen Output:** 2723lm

**Beam Angle:** 38 deg

**UL Classification:** Wet Location Listed

**DLC Number:** DDDIPB

**Efficacy:** 106.0lm/W

**Field Angle:** 83 deg

**Ambient Operating Temp:** -40C to +40C

**CCN Number:** IFAM7.E359675

**CBCP:** 4379cd

**Environmental Rating(s):** IP65

**Certification Standards:** UL Safety US-CA, DLC

**Limited Product Warranty:** 5 Year(s)

Project:	
Location:	
Model#: TLMSP283KK30D-UNV-BK	Type:
Client:	Qty:
Prepared by:	Date:

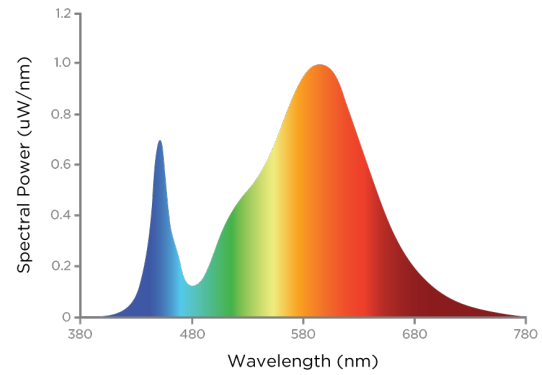
**LED SPECIFICATIONS**

**R Tables**

R1	81
R2	88
R3	92
R4	82
R5	81
R6	83
R7	87

R8	67
R9	8
R10	71
R11	80
R12	60
R13	83
R14	96

**SPD**



**Source Type:** LED  
**CRI:** >70  
**Chromaticity:** x=0.4320 y=0.4052

**Manufacturer:** Lumileds®  
**L70:** 48000 Hrs  
**Duv:** 0.005

**Part Number:** LUXEON 3030 2D  
**Colour Temperature:** 3000K

**ELECTRICAL SPECIFICATIONS**

**Driver Part Number:** LUMILEDS®  
 Approved Driver.  
**Fixture Draw:** 25.69W  
**Max On-Delay:** < 1 S  
**THD @277Vac(%):** <20%  
**Dimming Current mA:**  
**Driver Certifications:** c-RU-us Class 2, FCC Part 15 Class B, RoHS

**Input Voltage:** 120~277Vac  
**Current Draw @ 120Vac:** 0.2141  
**Power Factor @120Vac:**  
**Max Operating Case Temperature:** 74C  
**Over Temperature Protection:** Auto Recovery. The output shall return to normal when the fault condition is removed.

**Input Frequency:** 50-60Hz  
**Current Draw @ 277Vac:** 0.0936A  
**THD @ 120Vac(%):** <20%  
**Dimming:** Not Suitable for Dimming  
**Short Circuit Protection:** Auto Recovery. The output shall return to normal when the fault condition is removed.

**PHYSICAL SPECIFICATIONS**

**Finish Colour:** Black (RAL-9011)  
**Lens Material:** PMMA

**Mounting:** ½" Knuckle Mount  
**Lens Type:** Clear

**Housing Material:** ADC12 Aluminium  
**Entries:** ½" Threaded Knuckle

Project:	
Location:	
Model#: TLMS283KK30D-UNV-BK	Type:
Client:	Qty:
Prepared by:	Date:

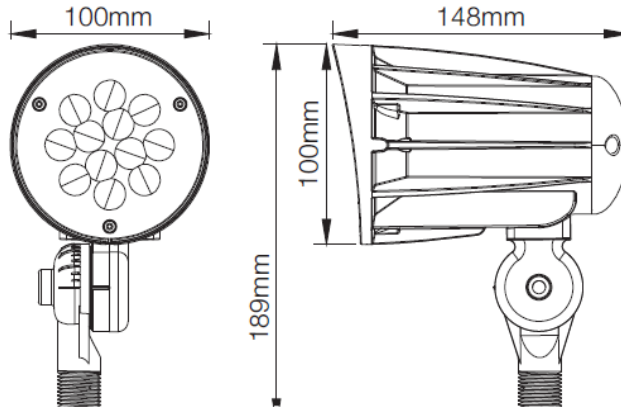
**SHIPPING INFORMATION**

OrderingCode(s): TLMS283KK30D-UNV-BK

Box Quantity: 1

**LINE DRAWING**

Line Drawings



**SERIES ARCHITECTURE**

Series Architecture

TLMS283 -												
Part	Wattage		CCT		Mounting		Optics		Voltage		Finish	
TLMS283	15	15W	3K	3000K	Blank	1/2" Threaded	30D	30 Degree	UNV	120-277VAC	BZ	Bronze
	28	28W	4K	4000K		Knuckle	60D	60 Degree				
	42	42W	5K	5000K								