



Project:	
Location:	
Model#: TLMSP423KK30D-UNV-BK	Type:
Client:	Qty:
Prepared by:	Date:

## SERIES SPECIFICATIONS



To supply TamLite TLMSP Series of outdoor LED spot lights as specified. The luminaire shall operate at 120-277Vac and use a LUMILEDS® Approved Driver. The housing shall be constructed of powder coated die-cast Aluminium with a gasketed polycarbonate lens. A durable formed gasket shall be provided between the enclosure and the lens. All parts shall be corrosion resistant. The LEDs shall be supplied with the luminaire. The fixture shall be cULus Listed and DLC Listed.



## PERFORMANCE SPECIFICATIONS

**Initial Lumen Output:** 4478lm

**UL Classification:** Wet Location Listed

**DLC Number:** DDDIPB

**Efficacy:** 113.9lm/W

**Ambient Operating Temp:** -40C to +40C

**CCN Number:** IFAM7.E359675

**Environmental Rating(s):** IP65

**Certification Standards:** UL Safety US-CA  
, DLC

**Limited Product Warranty:** 5 Year(s)

Project:	
Location:	
Model#: TLMSP423KK30D-UNV-BK	Type:
Client:	Qty:
Prepared by:	Date:

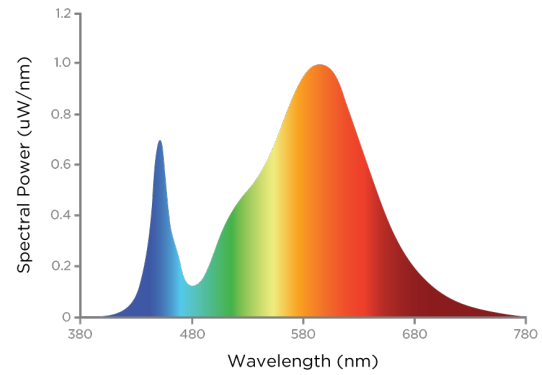
## LED SPECIFICATIONS

### R Tables

R1	81
R2	88
R3	92
R4	82
R5	81
R6	83
R7	87

R8	67
R9	8
R10	71
R11	80
R12	60
R13	83
R14	96

### SPD



**Source Type:** LED

**CRI:** >70

**Duv:** 0.005

**Manufacturer:** Lumileds®

**Colour Temperature:** 3000K

**Part Number:** LUXEON 3030 2D

**Chromaticity:** x=0.4332 y=0.4057

## ELECTRICAL SPECIFICATIONS

**Driver Part Number:** LUMILEDS®

Approved Driver.

**Fixture Draw:** 39.32W

**Max On-Delay:** < 1 S

**Max Operating Case Temperature:** 74C

**Short Circuit Protection:** Auto Recovery.

The output shall return to normal when the fault condition is removed.

**Input Voltage:** 120~277Vac

**Current Draw @ 120Vac:** 0.3277

**THD @ 120Vac(%):** <20%

**Dimming:** Not Suitable for Dimming

**Driver Certifications:** c-RU-us Class 2,

FCC Part 15 Class B, RoHS

**Input Frequency:** 50-60Hz

**Current Draw @ 277Vac:** 0.1419A

**THD @ 277Vac(%):** <20%

**Over Temperature Protection:** Auto

Recovery. The output shall return to normal when the fault condition is removed.

## PHYSICAL SPECIFICATIONS

**Finish Colour:** Black (RAL-9011)

**Lens Material:** PMMA

**Mounting:** ½" Knuckle Mount

**Lens Type:** Clear

**Housing Material:** ADC12 Aluminium

**Entries:** ½" Threaded Knuckle

Project:	
Location:	
Model#: TLMSP423KK30D-UNV-BK	Type:
Client:	Qty:
Prepared by:	Date:

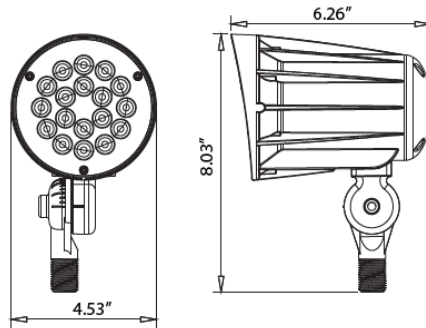
## SHIPPING INFORMATION

OrderingCode(s): TLMSP423KK30D-UNV-BK

Box Quantity: 1

## LINE DRAWING

### Line Drawings



## SERIES ARCHITECTURE

### Series Architecture

TLMSP -												
Part	Wattage		CCT		Mounting		Optics		Voltage		Finish	
TLMSP	15	15W	3K	3000K	Blank	1/2" Threaded Knuckle	30D	30 Degree	UNV	120-277VAC	BZ	Bronze
	28	28W	4K	4000K			60D	60 Degree				
	42	42W	5K	5000K								