



Project:	
Location:	
Model#: MPF1003KY-UNV-BK	Type:
Client:	Qty:
Prepared by:	Date:

SERIES SPECIFICATIONS

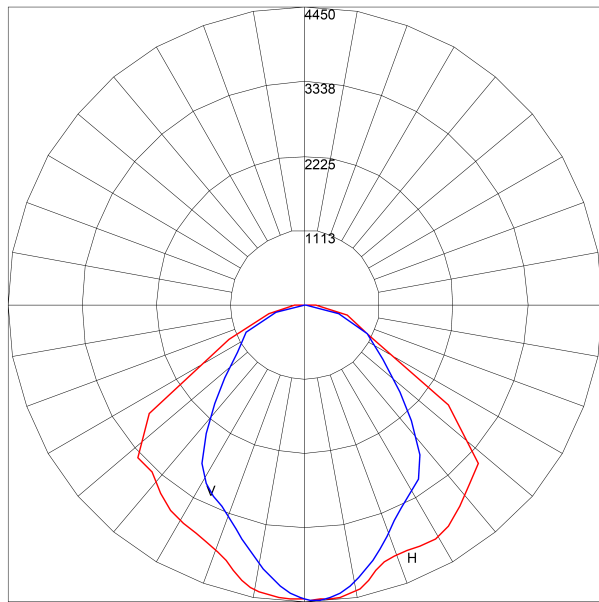


To supply TamLite's MPF Series of Mini floodlight as specified. The luminaire shall operate at 120-277Vac and use a constant current type driver. The housing shall be constructed of powder-coated die-cast Aluminium with a screw down rear wiring compartment with pre-fitted IP68 stainless steel strain relief, and an impact resistant polycarbonate optic. A durable formed gasket shall be provided between the enclosure and the lens, and the wiring compartment and housing. All parts shall be corrosion resistant. LEDs shall be as specified, LUXEON® 3030 2D LED chips. The luminaire shall be cULus Listed and DLC Listed.



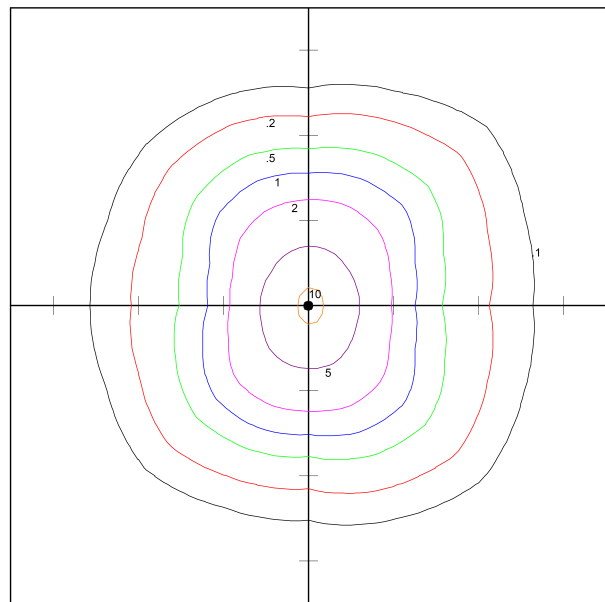
PERFORMANCE SPECIFICATIONS

Luminance Distribution Chart



Maximum Candela = 4450.26 Located At Horizontal Angle = 1, Vertical Angle = 3
 H - Horizontal Axial Candela
 V - Vertical Axial Candela

Isolux Diagram



TamLite Lighting
 by Tamco Group Canada
 10 Perdue Crt. Caledon, ON
 MPF1004KY-UNV-ZZ
 100W LED MINI FLOODLIGHT

Horizontal Footcandies
 Scale: 1 Inch = 20 Ft.
 Light Loss Factor = 1.00
 Lumens Per Lamp = N.A. (absolute photometry)
 Luminaire Lumens = 11744
 Mounting Height = 20.00 Ft
 Maximum Calculated Value = 11.04 Fc
 Arrangement: Single

Project:	
Location:	
Model#: MPF1003KY-UNV-BK	Type:
Client:	Qty:
Prepared by:	Date:

Zonal Lumen Summary

ZONE	LUMENS	ZONE	LUMENS	ZONE	LUMENS	ZONE	LUMENS	ZONE	LUMENS
0-10	411.82	40-50	2254.52	80-90	132.23	120-130	4.22	160-170	2.02
10-20	1114.65	50-60	2100.62	90-100	0.89	130-140	4.22	170-180	0.83
20-30	1644.74	60-70	1355.72	100-110	1.81	140-150	3.64	--	--
30-40	2078.01	70-80	628.25	110-120	3.26	150-160	3.03	--	--

Initial Lumen Output: 12316lm

NEMA Type: 7H x 6V

Environmental Rating(s): IP65

Certification Standards: UL Safety US-CA

Efficacy: 124.4lm/W

Beam Angle: 100 deg

UL Classification: Wet Location Listed

CCN Number: IFAM7.E359675

CBCP: 4418cd

Luminaire Type: Direct - Type II Very Short

Ambient Operating Temp: -40C to +40C

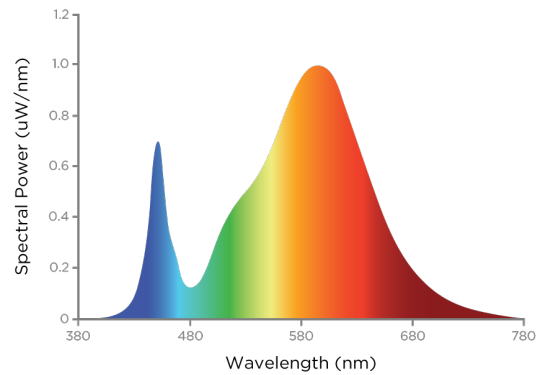
Limited Product Warranty: 5 Year(s)

LED SPECIFICATIONS

R Tables

R1	82	R9	11
R2	90	R10	78
R3	97	R11	81
R4	82	R12	71
R5	82	R13	84
R6	88	R14	99
R7	84	R15	75
R8	62	--	--

SPD



Source Type: LED

CRI: >70

Chromaticity: x=0.43210 y=0.40236

Manufacturer: Lumileds®

L70: 54000 Hrs

Duv: 0.005

Part Number: LUXEON 3030 2D

Colour Temperature: 3000K

Project:	
Location:	
Model#: MPF1003KY-UNV-BK	Type:
Client:	Qty:
Prepared by:	Date:

ELECTRICAL SPECIFICATIONS

Driver Manufacturer: TOWIN®

Input Frequency: 50-60Hz

Current Draw @ 277Vac: 0.4026

Auxiliary Control:

THD @ 120Vac(%): <10%

Max Operating Case Temperature: 85C

Short Circuit Protection: Auto Recovery.

The output shall return to normal after the fault condition is removed.

Driver Part Number: DF120W-40C2450B

Fixture Draw: 99.2W

Inrush Current: 30A

Power Factor @ 120Vac: >.90

THD @ 277Vac(%): <10%

Dimming: Not Suitable for Dimming

Driver Certifications: c-RU-us Class 2, FCC Part 15 Class B, RoHS

Input Voltage: 120~277Vac

Current Draw @ 120Vac: 0.8371

Max On-Delay: < 1 S

Power Factor @ 277Vac: >.90

Driver MTBF: 50,000hrs

Over Temperature Protection: Decreases output current, returning to normal after over temperature is removed.

PHYSICAL SPECIFICATIONS

Finish Colour: Black (RAL-9011)

Mounting: Yoke Mount

Lens Type: Clear Optics

Finish Type: Textured powder coat over chromate conversion coat

Housing Material: ADC12 Aluminium

Entries: Stainless Steel Strain Relief

Wiring: 6' 18-3 SJTW Cord Whip

Lens Material: PMMA

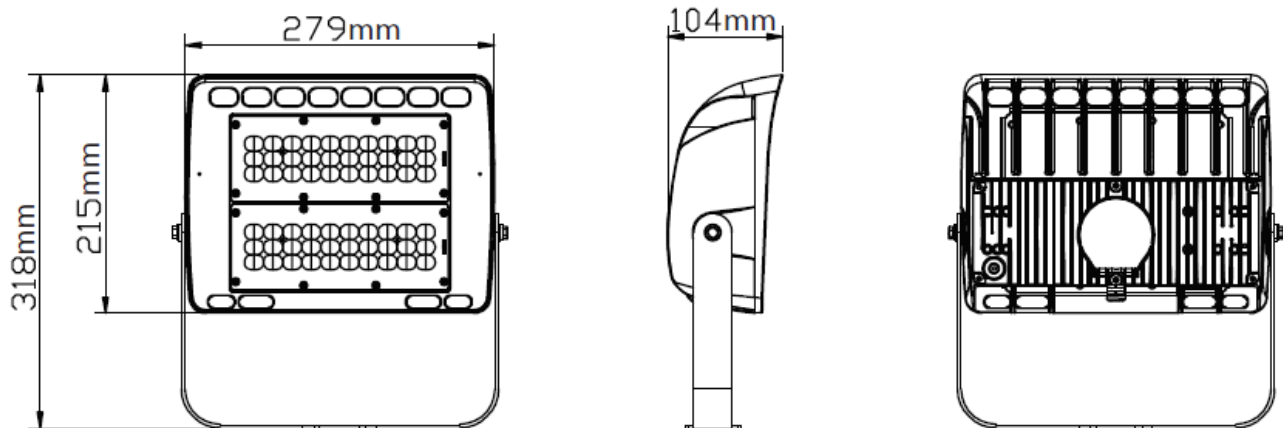
SHIPPING INFORMATION

OrderingCode(s): MPF1003KY-UNV-BK

Box Quantity: 1

LINE DRAWING

Line Drawings





Project:	
Location:	
Model#: MPF1003KY-UNV-BK	Type:
Client:	Qty:
Prepared by:	Date:

SERIES ARCHITECTURE

Series Architecture

MPF - - - - -

Part	Wattage		CCT		Mounting		Voltage		Finish	
MPF	12	12W	30K	3000K	Y	Yoke Mount	UNV	120-277VAC	BZ	Bronze
	30	30W	40K	4000K	K	1/2" Threaded Knuckle	UN4	347VAC	BK	Black
	50	50W	50K	5000K	S	Slip Fitter (2-3/8" O.D.)			WH	White
	80	80W							CC	Custom Colour
	100	100W								