



Project:	
Location:	
Model#: SLNB220SW-WRV	Type:
Client:	Qty:
Prepared by:	Date:

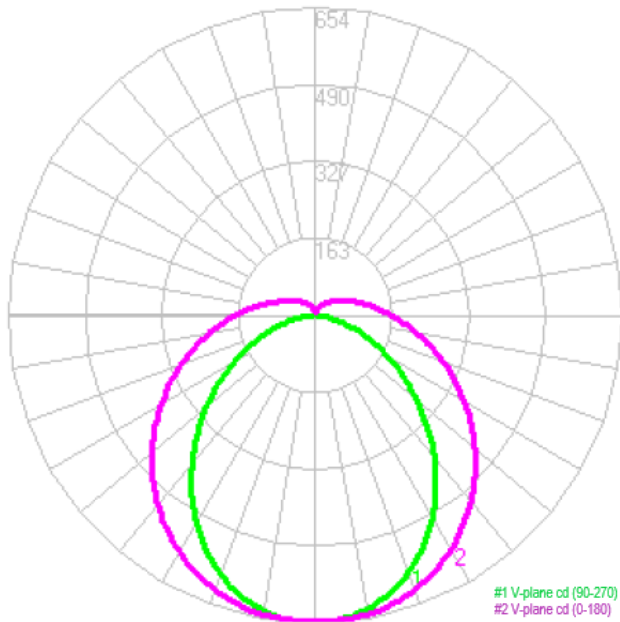
SERIES SPECIFICATIONS

To supply TamLite's SLNB Series of LED Lensed Strip Fixtures as specified. The fixture shall operate at 120-347Vac and provide for three selectable wattage levels. The fixture shall provide for three CCT(35/40/5000K). The body shall be formed steel post-painted with a white polyester powder coat. Fixture to be cULus Listed and DLC Listed

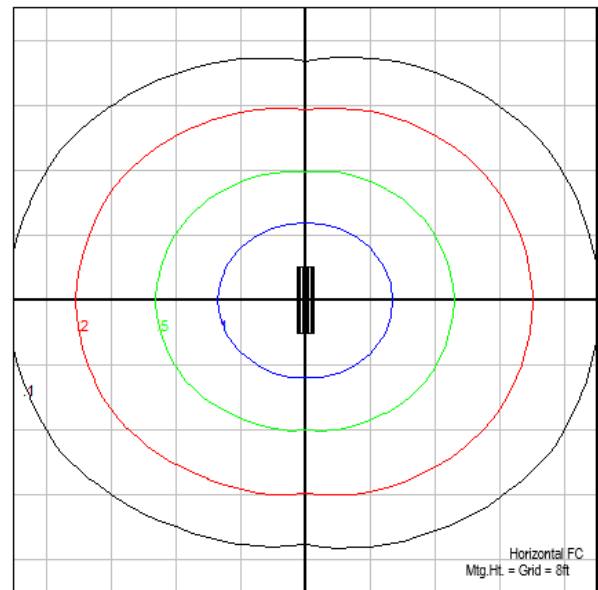


PERFORMANCE SPECIFICATIONS

Luminance Distribution Chart



Isolux Diagram



Initial Lumen Output: 2800lm
Beam Angle: 114 deg
Environmental Rating(s): IP44
Certification Standards: UL Safety US-CA, DLC
Limited Product Warranty: 5 Year(s)

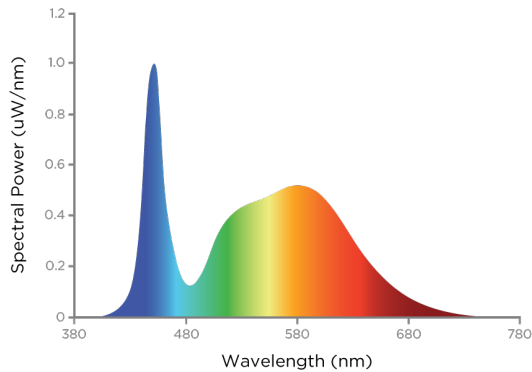
Efficacy: 126lm/W
Luminaire Type: Semi-Direct
UL Classification: Damp Location Listed
DLC Number: PL32WR8G570X

CBCP: 776cd
Spacing Criteria: 1.18(0-180) 1.34(90-270)
Ambient Operating Temp: -30C to +40C
CCN Number: IFAM7.E359675

Project:	
Location:	
Model#: SLNB220SW-WRV	Type:
Client:	Qty:
Prepared by:	Date:

LED SPECIFICATIONS

SPD



Source Type: LED
CRI: >80
Duv: 0.0013

Manufacturer: Runlite
L70: 50000 Hrs.

Part Number: X2835X series
Colour Temperature: 3500K, 4000K, 5000K Field Selectable

ELECTRICAL SPECIFICATIONS

Driver Manufacturer: ARC Smart Electronic Co., Ltd.
Input Frequency: 50/60 hz
Current Draw at 277Vac: 0.2083A
Max On-Delay: < 0.75 S
Driver MTBF: 320,000 hrs
Dimming: 0-10Vdc, (0% Min Light Level)
Short Circuit Protection: Auto Recovery.
 The output shall return to normal when the fault condition is removed.

Driver Part Number: ARC-DI-25I600-MUV-D1-R.
Fixture Draw: 20W
Current Draw at 347Vac: 0.0720A
Power Factor at 120Vac: > 0.90
Max Operating Case Temperature: 90C
Dimming Current mA: .5mA draw
Driver Certifications: c-RU-us Class 2, FCC Part 15 Class B, RoHS

Input Voltage: 120-347Vac
Current Draw at 120Vac: 0.2315
Inrush Current: 30A peak, 1.2ms duration, < 0.25A2S at 120Vac, Cold Start
THD at 120Vac(%): < 20%
Surge Suppression: 2kV (Line-Line), 4kV (Line-Earth)
Over Temperature Protection: Auto Recovery. The output shall return to normal when the temperature returns to normal.

PHYSICAL SPECIFICATIONS

Finish Colour: White
Mounting: Surface, Suspended
Lens Type: Frosted

Finish Type: Textured powder coat over chromate conversion coat
Housing Material: Heavy Gauge Steel
Reflector Material: Painted Steel

Wiring: Back and End Knock outs with luminaire disconnect
Lens Material: PMMA
Entries: Knockouts, ends and backside



Project:	
Location:	
Model#: SLNB220SW-WRV	Type:
Client:	Qty:
Prepared by:	Date:

SHIPPING INFORMATION

OrderingCode(s): SLNB220SW-WRV

Box Weight: 2 kg

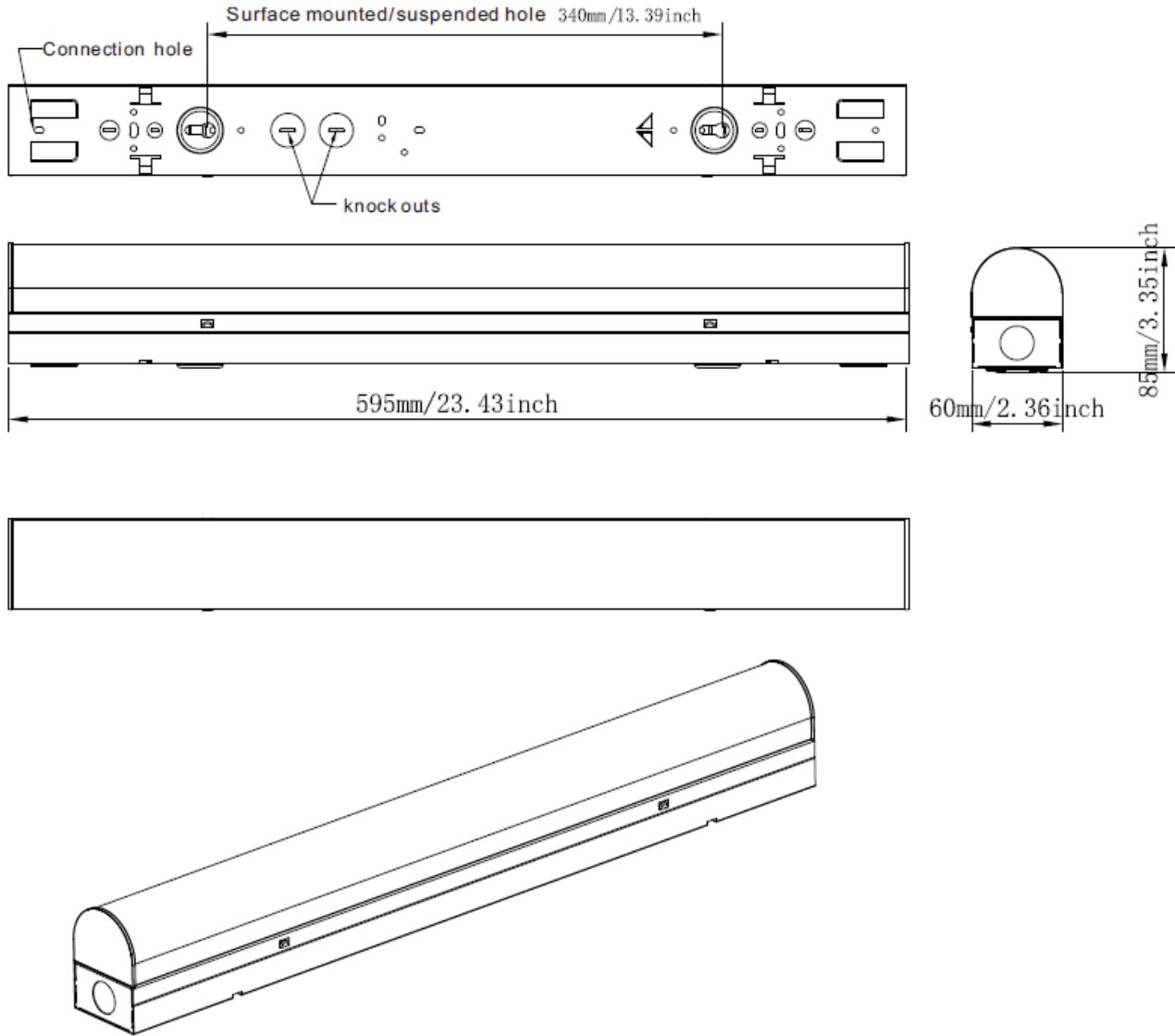
Box Quantity: 1

Box Dimensions (L-W-H): 610 x 70 x 95 mm

Project:	
Location:	
Model#: SLNB220SW-WRV	Type:
Client:	Qty:
Prepared by:	Date:

LINE DRAWING

Line Drawings





Project:	
Location:	
Model#: SLNB220SW-WRV	Type:
Client:	Qty:
Prepared by:	Date:

SERIES ARCHITECTURE

Series Architecture

SLNB - - - - -

Part	Length	Wattage	CCT	Mounting	Voltage	Finish
SLNB	2 2FT	20 20W	SW Selectable	Blank Surface	WRV 120-347VAC	Blank White
	3 3FT	30 30W	White			
	4 4FT	40 40W	35K, 40K, 50K			
	8 8FT	80 80W				

2FT	10W	15W	20W
3500K	1325 lm	1723 lm	2650 lm
4000K	1350 lm	1755 lm	2700 lm
5000K	1400 lm	1820 lm	2800 lm