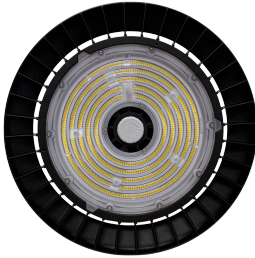




Project:	
Location:	
Model#: HBM30040K-UN4-BK	Type:
Client:	Qty:
Prepared by:	Date:

SERIES SPECIFICATIONS

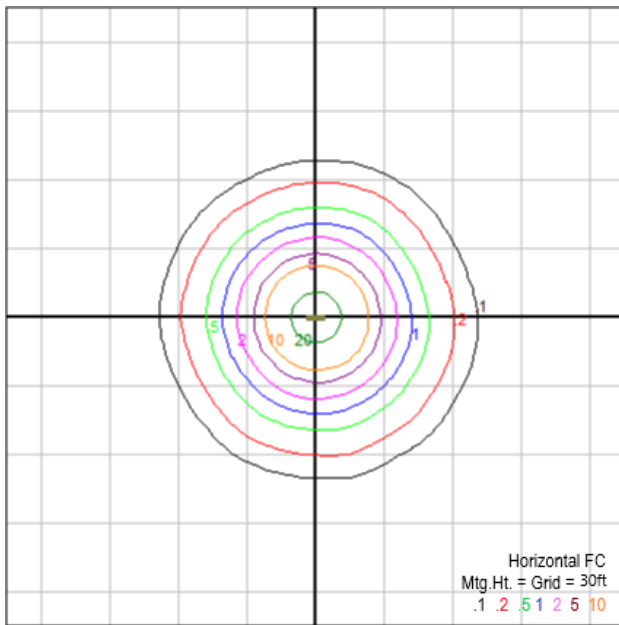


To supply the TamLite series HBM LED high bay luminaire as specified. The luminaire shall operate at 277-480Vac. The fixture is 0-10Vdc dimmable with optional sensor. The housing shall be constructed of aluminum with a prismatic lense. LEDs shall be as specified Lumileds® LED chips. The luminaire shall be cULus Listed and DLC Listed.



PERFORMANCE SPECIFICATIONS

Isolux Diagram



Zonal Lumen Summary

Zone	Lumens	Zone	Lumens	Zone	Lumens	Zone	Lumens	Zone	Lumens	Zone	Lumens
0-10	2139.66	30-40	11662.5	60-70	1681.53	90-100	0.92	120-130	4.63	150-160	7.05
10-20	6264.1	40-50	7455.61	70-80	651.74	100-110	1.57	130-140	6.66	160-170	4.94
20-30	9817.9	50-60	3693.39	80-90	94.75	110-120	2.6	140-150	7.5	170-180	1.75



Project:	
Location:	
Model#: HBM30040K-UN4-BK	Type:
Client:	Qty:
Prepared by:	Date:

Co-efficient of Utilization

RC	80				70				50				30				10				0
RW	70	50	30	10	70	50	30	10	50	30	10	50	30	10	50	30	10	50	30	10	0
RF	20				20				20				20				20				20
0	119	119	119	119	116	116	116	116	111	111	111	106	106	106	102	102	102	100			
1	112	108	105	102	109	106	103	100	102	99	97	98	96	94	94	93	91	89			
2	104	97	92	88	101	96	91	87	92	88	85	89	86	83	86	83	81	79			
3	96	88	81	76	94	86	80	76	84	78	74	81	77	73	79	75	72	70			
4	90	80	72	67	87	78	72	66	76	70	66	74	69	65	72	68	64	62			
5	83	72	65	59	81	71	64	59	69	63	58	68	62	58	66	61	57	55			
6	78	66	58	53	76	65	58	53	64	57	52	62	56	52	61	55	51	50			
7	72	61	53	48	71	60	53	47	58	52	47	57	51	47	56	51	47	45			
8	68	56	48	43	66	55	48	43	54	47	43	53	47	43	52	46	42	41			
9	64	52	44	39	62	51	44	39	50	43	39	49	43	39	48	43	39	37			
10	60	48	41	36	59	47	40	36	46	40	36	45	40	36	45	39	35	34			

Initial Lumen Output: 43499lm
 Beam Angle: 120 deg
 Spacing Criteria: 1.32(0-180) 1.32(90-270)
 Ambient Operating Temp: -40C to +50C
 CCN Number: IFAM7.E359675

Efficacy: 145lm/W
 Field Angle: 170 deg
 Environmental Rating(s): IP65
 Certification Standards: UL Safety US-CA
 , DLC
 Limited Product Warranty: 5 Year(s)

CBCP: 22478cd
 Luminaire Type: Direct
 UL Classification: Wet Location Listed
 DLC Number: PM60BEHE

Project:	
Location:	
Model#: HBM30040K-UN4-BK	Type:
Client:	Qty:
Prepared by:	Date:

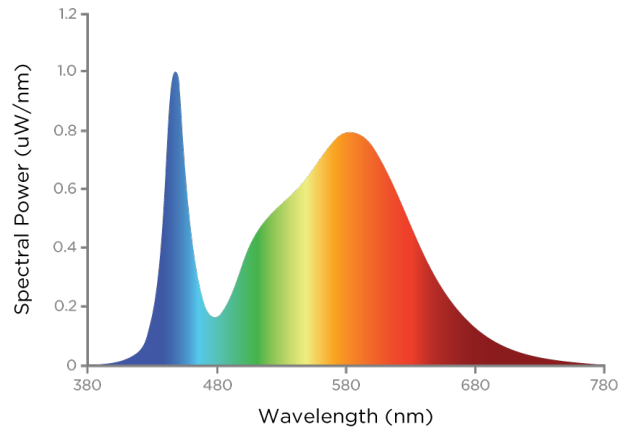
LED SPECIFICATIONS

R Tables

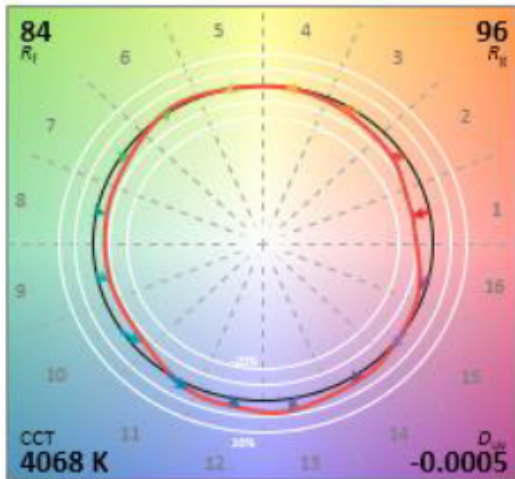
R1	83
R2	90
R3	94
R4	83
R5	83
R6	85
R7	87
R8	68

R9	17
R10	75
R11	82
R12	61
R13	85
R14	97
R15	78
Ra	85

SPD



TM-30



Source Type: LED
 CRI: >80
 L70: > 54000 hrs.
 Chromaticity: x=0.3772 y=0.3738

Manufacturer: Lumileds®
 Rf: 84
 L90: 50,000 hrs.

Part Number: L128
 Rg: 96
 Colour Temperature: 4000K



Project:	
Location:	
Model#: HBM30040K-UN4-BK	Type:
Client:	Qty:
Prepared by:	Date:

ELECTRICAL SPECIFICATIONS

Driver Manufacturer: Sosen

Input Frequency: 50-60Hz

Inrush Current: 70 A2S

THD @347Vac(%): < 10%

Surge Suppression: 6KV

Over Temperature Protection: Auto

Recovery, The fixture shall shut down and return to operation when the temperature returns to normal.

Driver Part Number: SS-320M-XX

Fixture Draw: 300.54W

Max On-Delay: < 1 S

Driver MTBF: 200,000hrs

Dimming: 0-10Vdc, (0% Min Light Level)

Short Circuit Protection: Auto Recovery.

The output shall return to normal when the fault condition is removed.

Input Voltage: 277~480Vac

Current Draw@347Vac: 0.8645A

Power Factor @347Vac: >.95

Max Operating Case Temperature: 90C

Dimming Current mA: 0.45

Driver Certifications: c-RU-us Class 2,

FCC Part 15 Class B, RoHS

PHYSICAL SPECIFICATIONS

Finish Colour: Black

Mounting: 1/2" NPS Threaded fitting, Loop standard

Lens Type: Refractor

Finish Type: Textured powder coat over chromate conversion coat

Housing Material: Die-cast Aluminium

Weight: 3.2 kg

Wiring: 3M length, UL STW 18#/3C, -40~+105°C, 600V, Black

Lens Material: Polycarbonate

SHIPPING INFORMATION

OrderingCode(s): HBM30040K-UN4-BK

Box Weight: 5.73 kg

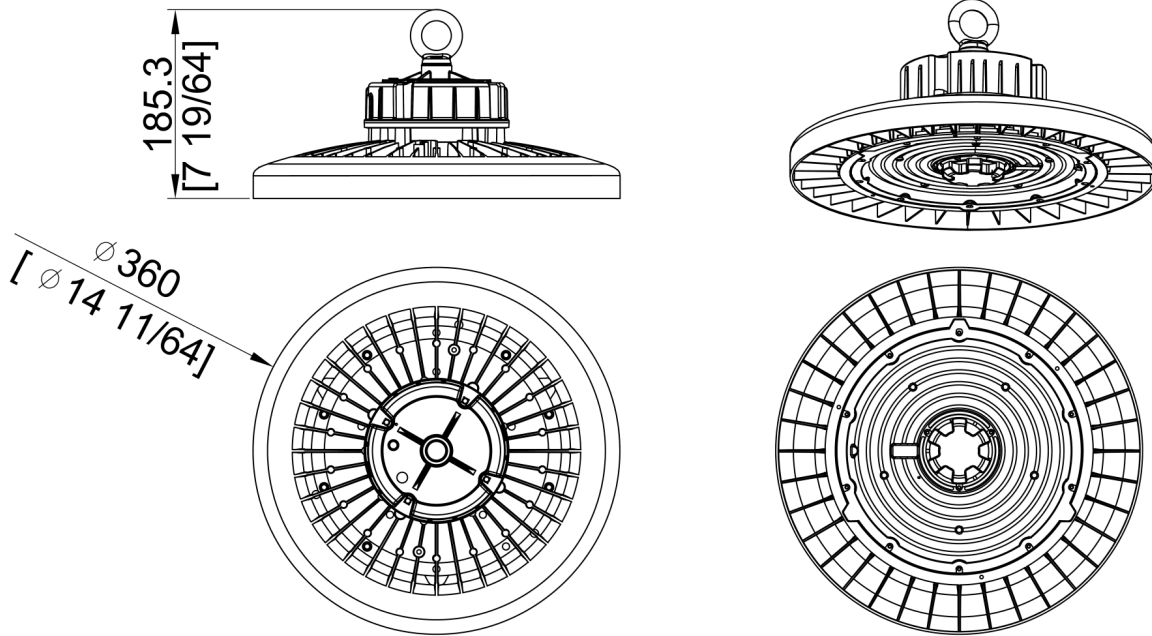
Box Quantity: 1

Box Dimensions (L-W-H): 395 x 395 x 200mm

Project:	
Location:	
Model#: HBM30040K-UN4-BK	Type:
Client:	Qty:
Prepared by:	Date:

LINE DRAWING

Line Drawings





Project:	
Location:	
Model#: HBM30040K-UN4-BK	Type:
Client:	Qty:
Prepared by:	Date:

SERIES ARCHITECTURE

Series Architecture

HBM - - - -

Part	Wattage		CCT		Voltage		Finish	
HBM	100	100W	40K	4000K	UNV	120-277VAC	BK	Black
	150	150W	50K	5000K	UN4	277-480VAC		
	230	230W						
	300	300W						

Options	
HBM-REF	Reflector
HBM-ACR	Lense
HBM-YK-_-BK	Yoke Mount (B, C, D) Sizing
HBM-HOOK	Mounting Hook with Safety Screw
HBM-PM	3/4" NPS Threaded Mount

Optional Extras: HBM-REF(Acrylic refractor), HBM-OC(Occupancy Sensor), HBM-OCREM(Occupancy sensor remote programmer), HBM-YK(Surface Mount Yoke), HBM-PM(3/4" NPT Adapter)