



Project:	
Location:	
Model#: BLP14DFK-WH	Type:
Client:	Qty:
Prepared by:	Date:

SERIES SPECIFICATIONS



To supply Tamlite recessed drywall flange mounting kit. Maximum Drywall Thickness 3/4" (19mm). Framing and Drywall to be installed per National, Provincial and Local Building Codes. Tools need to Install; #2 Philips Screw driver, 5/32" Allen Key. Minimum framing depth 5" of clearance.



PERFORMANCE SPECIFICATIONS

Environmental Rating(s): IP20

UL Classification: Dry Location Only

Limited Product Warranty: 1 Year

ELECTRICAL SPECIFICATIONS

Dimming: 0-10Vdc, (0% Min Light Level)

PHYSICAL SPECIFICATIONS

Finish Colour: White

Finish Type: Powder coated

Mounting: Drywall. MAX 3/4" (19mm)

Housing Material: Steel

SHIPPING INFORMATION

OrderingCode(s): BLP14DFK-WH

Box Weight: 5.4kg / 11.9 lbs.

Box Quantity: 1

Box Dimensions (L-W-H): 124x20x140 cm / 48.2x7.87x5.51 inch

Carton Weight: 32.4 kg / 69.4 lbs.

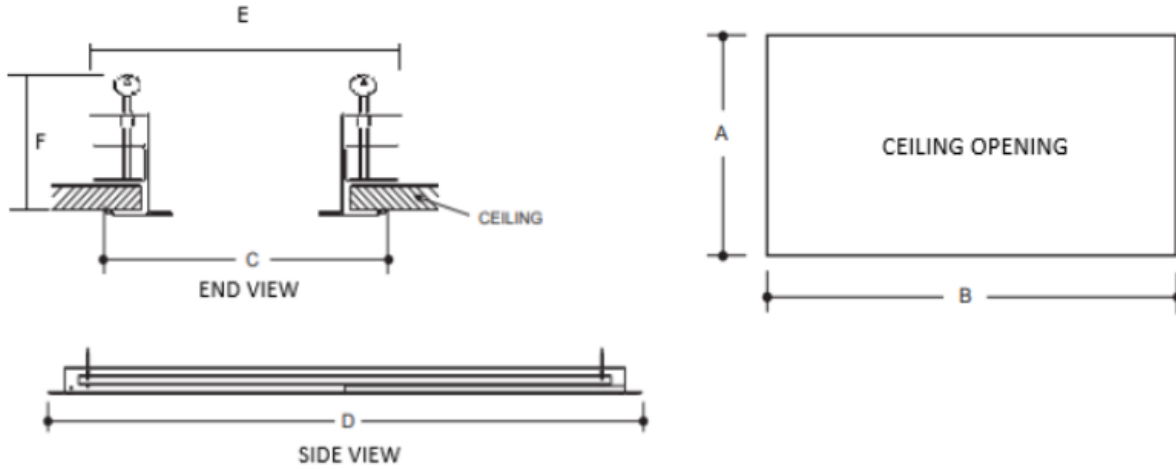
Carton Quantity: 6

Carton Dimensions (I-W-H): 124x20x140 cm / 48.2x7.87x5.51 inch

Project:	
Location:	
Model#: BLP14DFK-WH	Type:
Client:	Qty:
Prepared by:	Date:

LINE DRAWING

Line Drawings



	Ceiling Opening				Overall Flange				Framing Clearance (Min)			
	Width		Length		Width		Length		Width		Height	
	A	B	C	D	E	F						
	Inch	MM	Inch	MM	Inch	MM	Inch	MM	Inch	MM	Inch	MM
1x4	12-3/4	324	48-1/2	1232	14-1/8	359	49-15/16	1268	15-1/2	394	4-1/8"	105
2x2	24-3/4	629	24-1/2	622	26-1/8	664	25-15/16	659	27-1/2	699	4-1/8"	105
2x4	24-3/4	629	48-1/2	1232	26-1/8	664	49-15/16	1268	27-1/2	699	4-1/8"	105

Tools need to Install; #2 Philips Screw driver, 5/32" Allen Key.