

Project:	
Location:	
Model#: TLG453K-WRV-BK	Type:
Client:	Qty:
Prepared by:	Date:

SERIES SPECIFICATIONS

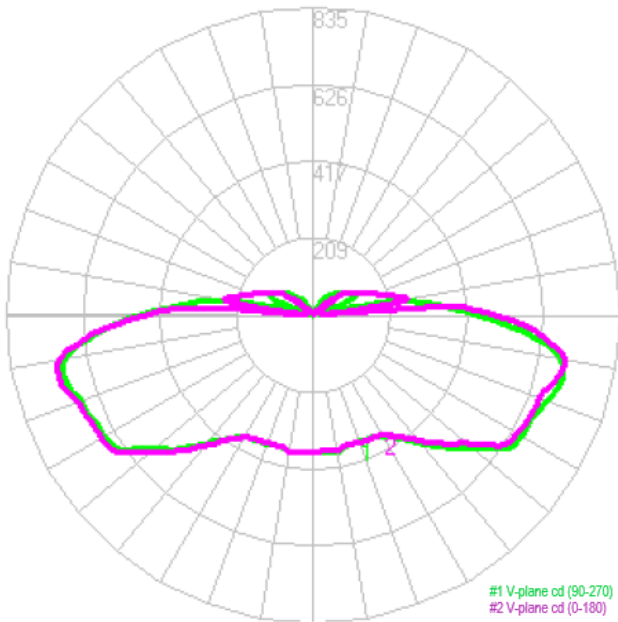


To supply Tamlite's TLG Series of LED Garage fixture as specified. The luminaire shall operate at 120-347Vac. The housing shall be constructed of Die-Cast Aluminium with a powder coat finish over chromate conversion treatment with clear, acrylic lenses. The luminaire shall be wet location listed. LEDs shall be as specified Nichia ® LED chips. The luminaire shall come prewired with a Z-10 Socket. The luminaire shall be cULus Listed.

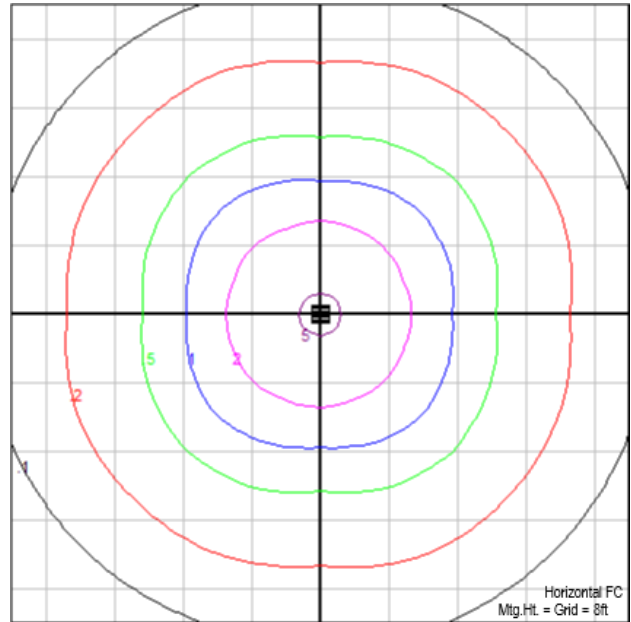


PERFORMANCE SPECIFICATIONS

Luminance Distribution Chart



Isolux Diagram





Project:	
Location:	
Model#: TLG453K-WRV-BK	Type:
Client:	Qty:
Prepared by:	Date:

Zonal Lumen Summary

ZONE	LUMENS	ZONE	LUMENS	ZONE	LUMENS	ZONE	LUMENS	ZONE	LUMENS
0-10	35.38	40-50	380.52	80-90	718.92	120-130	83.99	160-170	0.31
10-20	104.24	50-60	566.29	90-100	351.15	130-140	41.34	170-180	0.01
20-30	171.63	60-70	729.3	100-110	138.4	140-150	16.53	--	--
30-40	251.61	70-80	798.61	110-120	122.75	150-160	4.21	--	--

Initial Lumen Output: 4423lm

Environmental Rating(s): IP65

Certification Standards: UL Safety US-CA

Limited Product Warranty: 5 Year(s)

Efficacy: 140.9 lm/W

UL Classification: Wet Location Listed

DLC Number: S-LU61N3

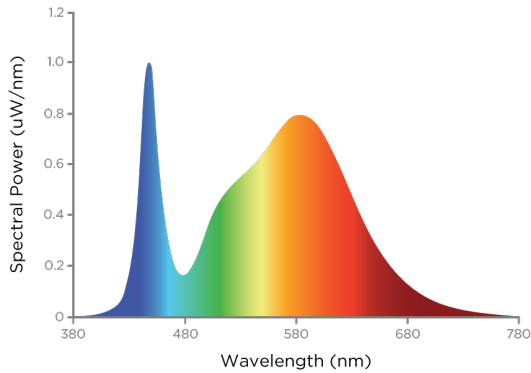
Luminaire Type: Surface Mount

Ambient Operating Temp: -25C to +40C

CCN Number: IFAM7.E359675

LED SPECIFICATIONS

SPD



Source Type: LED

L70: 60000 Hrs

Manufacturer: Nichia®

Colour Temperature: 3000K

CRI: >75

Duv: 0.005



Project:	
Location:	
Model#: TLG453K-WRV-BK	Type:
Client:	Qty:
Prepared by:	Date:

ELECTRICAL SPECIFICATIONS

Input Voltage: 120~347Vac
Current Draw @ 120Vac: 0.2617A
Power Factor @ 120Vac: >.90
THD @ 347Vac(%): <20%
Short Circuit Protection: Auto recovery.
The output shall return to normal when the fault condition is removed.

Input Frequency: 50-60Hz
Current Draw @ 347Vac: 0.0905
Power Factor @ 347Vac: >.90
Dimming: 0-10Vdc, (0% Min Light Level)
Driver Certifications: c-RU-us Class 2, FCC Part 15 Class B, RoHS

Fixture Draw: 31.4W
Max On-Delay: < 1.000S
THD @ 120Vac(%): <20%
Over Temperature Protection: Auto recovery. Current returns to normal after over temperature is removed.

OCCUPANCY SENSOR INFORMATION

Sensor Type: Passive Infrared (PIR) - Outdoor
Programing Type: Remote Infrared

Control Type: On-Dim (10%Minimum)

Input Voltage: 12VDC

PHYSICAL SPECIFICATIONS

Finish Colour: Black (RAL-9011)
Housing Material: ADC12 Aluminium

Finish Type: Textured powder coat over chromate conversion coat
Lens Material: PMMA

Mounting: Surface
Lens Type: Clear

SHIPPING INFORMATION

OrderingCode(s): TLG453K-WRV-BK

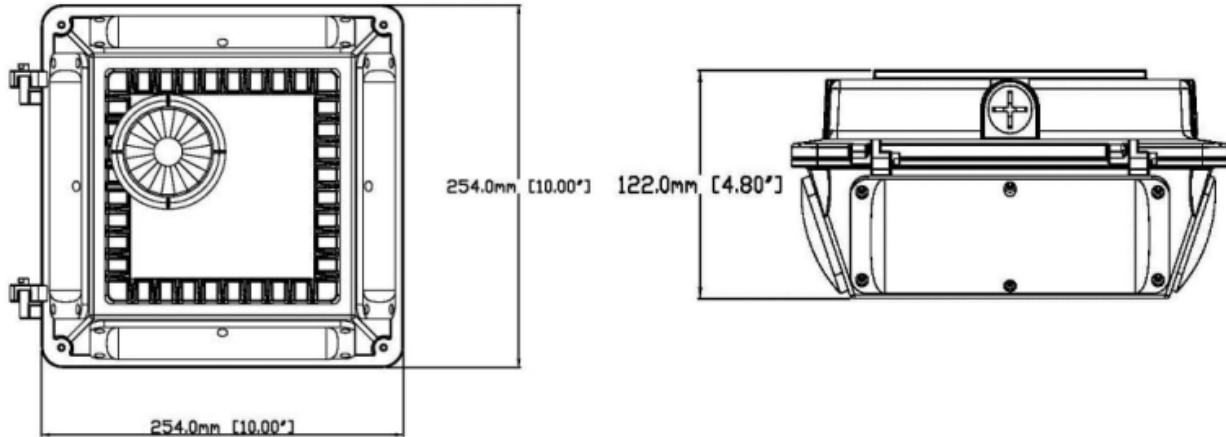
Box Quantity: 1

Box Dimensions (L-W-H): 350 x 350 x 180 mm

Project:	
Location:	
Model#: TLG453K-WRV-BK	Type:
Client:	Qty:
Prepared by:	Date:

LINE DRAWING

Line Drawings



SERIES ARCHITECTURE

Series Architecture

TLG	-	45	-	40K	-	WRV	-	WH	-	
Part	Wattage		CCT		Voltage		Finish		Options	
TLG	45	45W	30K	3000K	WRV	120-347VAC	WH	White	Blank	c/w Z10 Socket**
	85	85W	40K	4000K			BK	Black		
			50K	5000K			BZ	Bronze		

* Not all versions of this product may be DLC qualified. Please check the DLC Qualified Products List at www.designlights.org/QPL to confirm which versions are.

** Z10 Socket accepts our Z10 Occupancy sensor. Ordered separately. REMOTE-0100 for programming ordered separately

Optional Extras: Z10-IROC, Remote-0100