



Project:	
Location:	
Model#: TLG854K-UN4-BK	Type:
Client:	Qty:
Prepared by:	Date:

SERIES SPECIFICATIONS

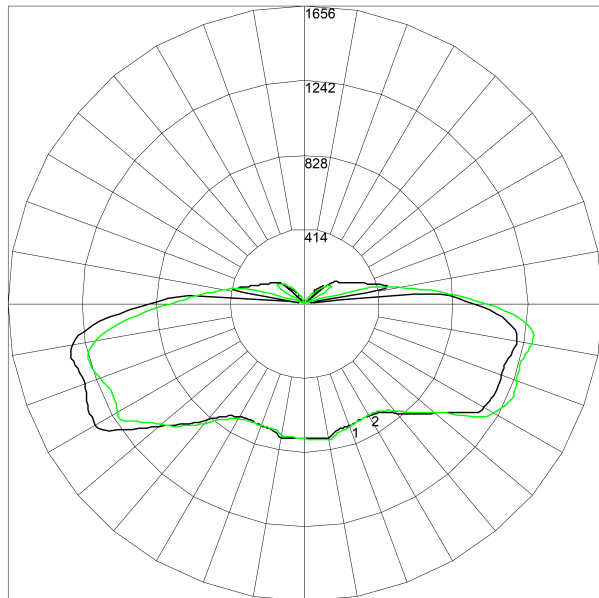


To supply Tamlite's TLG Series of LED Garage fixture as specified. The luminaire shall operate at 347Vac. The housing shall be constructed of Die-Cast Aluminium with a powder coat finish over chromate conversion treatment with clear, acrylic lenses. The luminaire shall be wet location listed. LEDs shall be as specified Nichia ® LED chips. The luminaire shall be cULus Listed and DLC Listed.



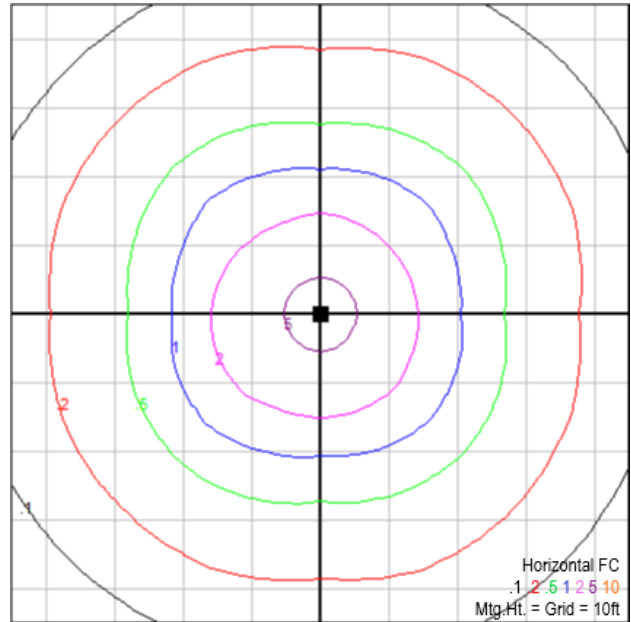
PERFORMANCE SPECIFICATIONS

Luminance Distribution Chart



Maximum Candela = 1655.9 Located At Horizontal Angle = 135, Vertical Angle = 69
 # 1 - Vertical Plane Through Horizontal Angles (0 - 180)
 # 2 - Vertical Plane Through Horizontal Angles (90 - 270)

Isolux Diagram



Horizontal FC
 1 2 5 10 25 50 100
 Mtg. Ht. = Grid = 10ft

Project:	
Location:	
Model#: TLG854K-UN4-BK	Type:
Client:	Qty:
Prepared by:	Date:

Zonal Lumen Summary

ZONE	LUMENS	ZONE	LUMENS	ZONE	LUMENS	ZONE	LUMENS	ZONE	LUMENS
0-10	72.08	40-50	687.15	80-90	1321.68	120-130	155.43	160-170	0.32
10-20	209.75	50-60	1013.46	90-100	705	130-140	86.04	170-180	0.1
20-30	335.98	60-70	1352.9	100-110	310.24	140-150	31.02	--	--
30-40	471.72	70-80	1460.7	110-120	174.86	150-160	2.09	--	--

Initial Lumen Output: 8336lm

Environmental Rating(s): IP65

Certification Standards: UL Safety US-CA

Efficacy: 100.08lm/W

UL Classification: Wet Location Listed

CCN Number: IFAM7.E359675

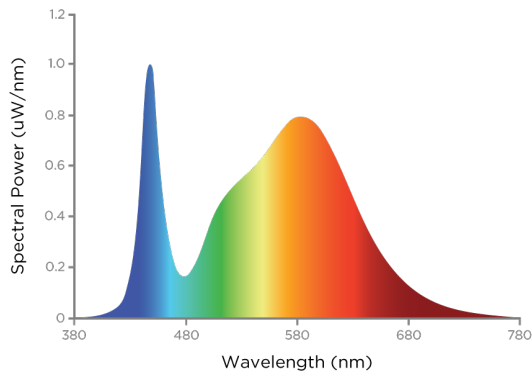
Luminaire Type: Surface Mount

Ambient Operating Temp: -25C to +40C

Limited Product Warranty: 5 Year(s)

LED SPECIFICATIONS

SPD



Source Type: LED

L70: 60000 Hrs

Manufacturer: Nichia®

Colour Temperature: 4000K

CRI: > 75

Duv: 0.005

Project:	
Location:	
Model#: TLG854K-UN4-BK	Type:
Client:	Qty:
Prepared by:	Date:

ELECTRICAL SPECIFICATIONS

Input Voltage: 347Vac
Current Draw@347Vac: 0.2471
THD @347Vac(%): <15%
Short Circuit Protection: Auto recovery.
 The output shall return to normal when the fault condition is removed.

Input Frequency: 50-60Hz
Max On-Delay: < 1.000S
Dimming: 0-10Vdc, (0% Min Light Level)
Driver Certifications: c-RU-us Class 2, FCC Part 15 Class B, RoHS

Fixture Draw: 85W
Power Factor @120Vac: >.90
Over Temperature Protection: Auto recovery. Current returns to normal after over temperature is removed.

PHYSICAL SPECIFICATIONS

Finish Colour: Black (RAL-9011)
Housing Material: ADC12 Aluminium

Finish Type: Textured powder coat over chromate conversion coat
Lens Material: PMMA

Mounting: Surface
Lens Type: Clear

SHIPPING INFORMATION

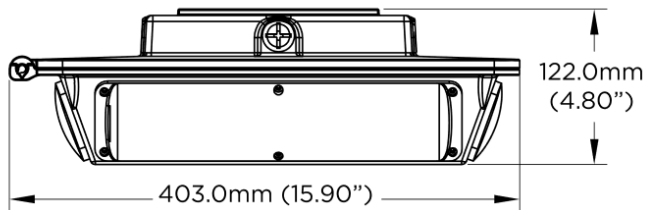
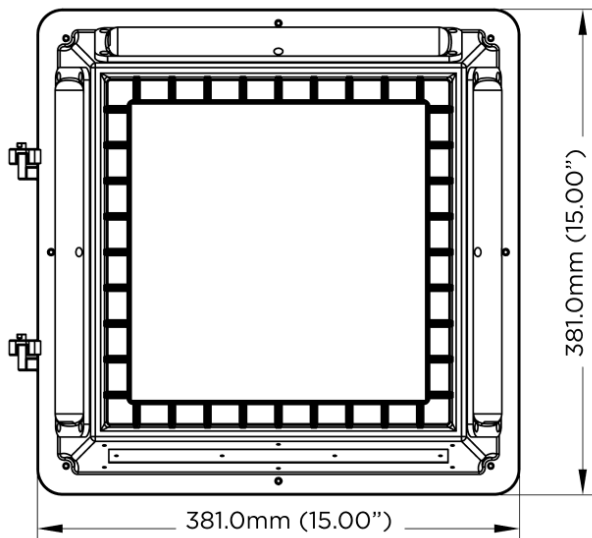
OrderingCode(s): TLG854K-UN4-BK

Box Quantity: 1

Box Dimensions (L-W-H): 435 x 435 x 180 mm

LINE DRAWING

Line Drawings





Project:	
Location:	
Model#: TLG854K-UN4-BK	Type:
Client:	Qty:
Prepared by:	Date:

SERIES ARCHITECTURE

Series Architecture

TLG - 45 - 40K - UNV - WH -										
Part	Wattage		CCT		Voltage		Finish		Options	
TLG	45	45W	40K	4000K	UNV	120-277VAC	WH	White	OC	Occupancy Sensor*
	85	85W	50K	5000K	UN4	347VAC	BK	Black	FSIR-100	*FSIR-100 Programmer
							BZ	Bronze		

Optional Extras: Occupancy Sensor, FSIR-100 IR Programmer