

Project:	
Location:	
Model#: TLG454K-UN4-BK	Type:
Client:	Qty:
Prepared by:	Date:

## SERIES SPECIFICATIONS

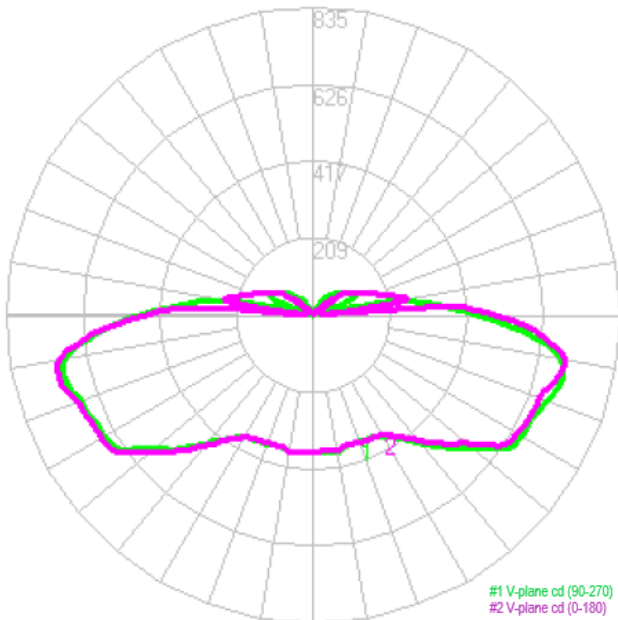


To supply Tamlite's TLG Series of LED Garage fixture as specified. The luminaire shall operate at 347Vac. The housing shall be constructed of Die-Cast Aluminium with a powder coat finish over chromate conversion treatment with clear, acrylic lenses. The luminaire shall be wet location listed. LEDs shall be as specified Nichia ® LED chips. The luminaire shall be cULus Listed and DLC Listed.

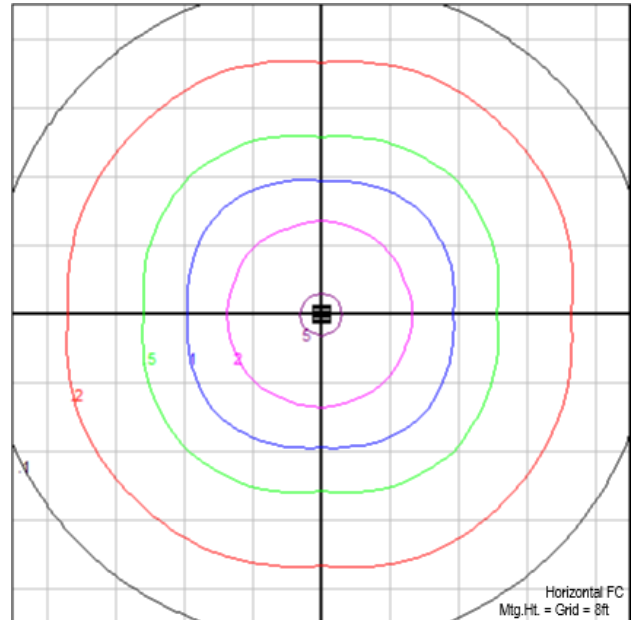


## PERFORMANCE SPECIFICATIONS

Luminance Distribution Chart



Isolux Diagram





<b>Project:</b>	
<b>Location:</b>	
<b>Model#:</b> TLG454K-UN4-BK	<b>Type:</b>
<b>Client:</b>	<b>Qty:</b>
<b>Prepared by:</b>	<b>Date:</b>

**Zonal Lumen Summary**

ZONE	LUMENS	ZONE	LUMENS	ZONE	LUMENS	ZONE	LUMENS	ZONE	LUMENS
0-10	35.38	40-50	380.52	80-90	718.92	120-130	83.99	160-170	0.31
10-20	104.24	50-60	566.29	90-100	351.15	130-140	41.34	170-180	0.01
20-30	171.63	60-70	729.3	100-110	138.4	140-150	16.53	--	--
30-40	251.61	70-80	798.61	110-120	122.75	150-160	4.21	--	--

**Initial Lumen Output:** 4515lm

**Environmental Rating(s):** IP65

**Certification Standards:** UL Safety US-CA

**Efficacy:** 110.09lm/W

**UL Classification:** Wet Location Listed

**CCN Number:** IFAM7.E359675

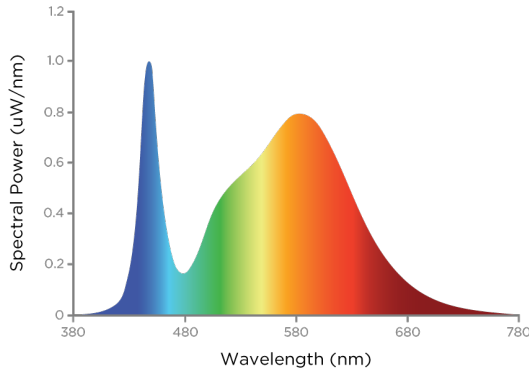
**Luminaire Type:** Surface Mount

**Ambient Operating Temp:** -25C to +40C

**Limited Product Warranty:** 5 Year(s)

**LED SPECIFICATIONS**

**SPD**



**Source Type:** LED

**L70:** 60000 Hrs

**Manufacturer:** Nichia®

**Colour Temperature:** 4000K

**CRI:** >75

**Duv:** 0.005

<b>Project:</b>	
<b>Location:</b>	
<b>Model#:</b> TLG454K-UN4-BK	<b>Type:</b>
<b>Client:</b>	<b>Qty:</b>
<b>Prepared by:</b>	<b>Date:</b>

**ELECTRICAL SPECIFICATIONS**

**Input Voltage:** 347Vac  
**Current Draw@347Vac:** .1268A  
**THD @ 120Vac(%)**: <10%  
**Short Circuit Protection:** Auto recovery.  
 The output shall return to normal when the fault condition is removed.

**Input Frequency:** 50-60Hz  
**Max On-Delay:** < 1.000S  
**Dimming:** 0-10Vdc, (0% Min Light Level)  
**Driver Certifications:** c-RU-us Class 2, FCC Part 15 Class B, RoHS

**Fixture Draw:** 44W  
**Power Factor @120Vac:** >.90  
**Over Temperature Protection:** Auto recovery. Current returns to normal after over temperature is removed.

**PHYSICAL SPECIFICATIONS**

**Finish Colour:** Black (RAL-9011)  
**Housing Material:** ADC12 Aluminium

**Finish Type:** Textured powder coat over chromate conversion coat  
**Lens Material:** PMMA

**Mounting:** Surface  
**Lens Type:** Clear

**SHIPPING INFORMATION**

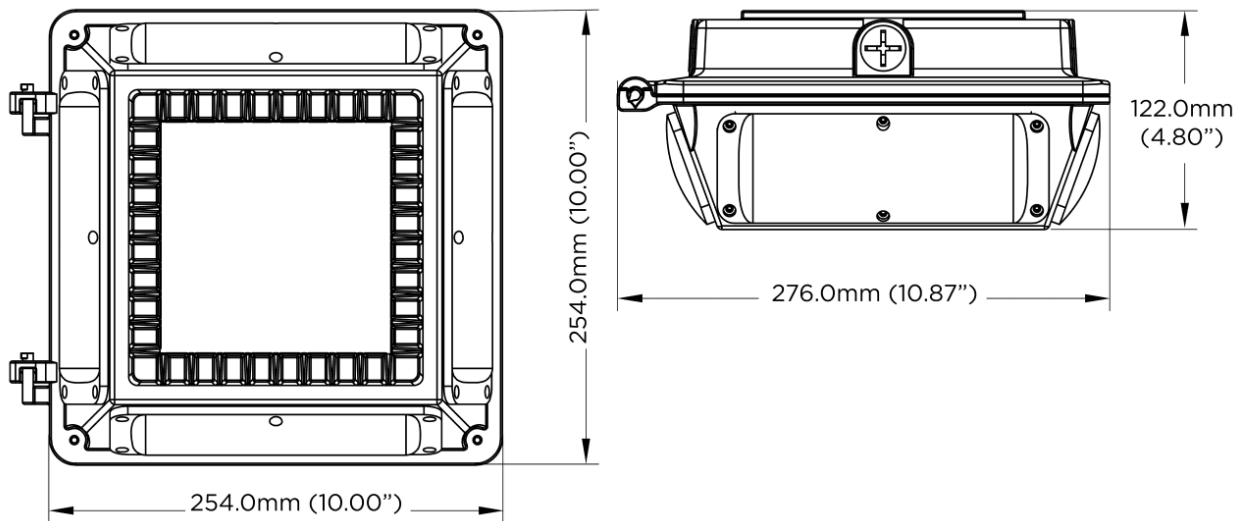
**OrderingCode(s):** TLG454K-UN4-BK

**Box Quantity:** 1

**Box Dimensions (L-W-H):** 350 x 350 x 180 mm

**LINE DRAWING**

**Line Drawings**





Project:	
Location:	
Model#: TLG454K-UN4-BK	Type:
Client:	Qty:
Prepared by:	Date:

SERIES ARCHITECTURE

Series Architecture

TLG - 45 - 40K - UNV - WH										
Part	Wattage		CCT		Voltage		Finish		Options	
TLG	45	45W	40K	4000K	UNV	120-277VAC	WH	White	OC	Occupancy Sensor*
	85	85W	50K	5000K	UN4	347VAC	BK	Black	FSIR-100	*FSIR-100 Programmer
							BZ	Bronze		

Optional Extras: Occupancy Sensor, FSIR-100 IR Programmer