

Project:	
Location:	
Model#: WPX120SW-WRV-BZ	Type:
Client:	Qty:
Prepared by:	Date:

SERIES SPECIFICATIONS

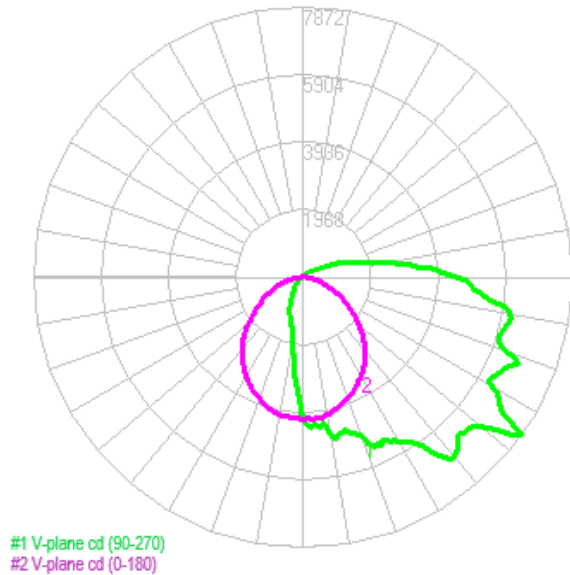


To supply TamLite WPX series of LED fixtures as specified. The luminaire shall operate at 120-347Vac. The housing shall be constructed of powder-coated ADC12 Aluminium with a hinged bolt-on case for replacement access and a tempered glass lens. A durable formed gasket shall be provided between the enclosure and the lens. The reflector shall be made of highly reflective material and contoured to maximize light output efficiency. All parts shall be corrosion resistant. LEDs shall be as specified, LUMILEDS@2835R Series LED Chips. The LEDs shall be supplied with the luminaire. CCT shall be switch selectable 3000K, 4000K, or 5000K. The luminaire shall be cULus listed and DLC Listed.

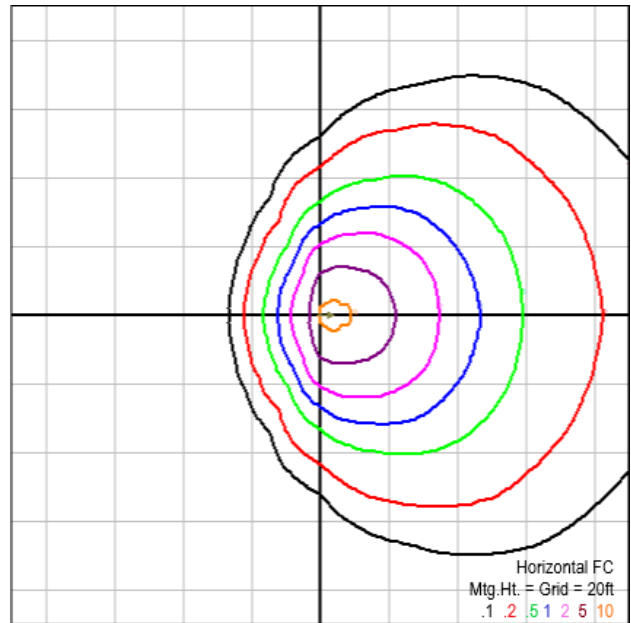


PERFORMANCE SPECIFICATIONS

Luminance Distribution Chart



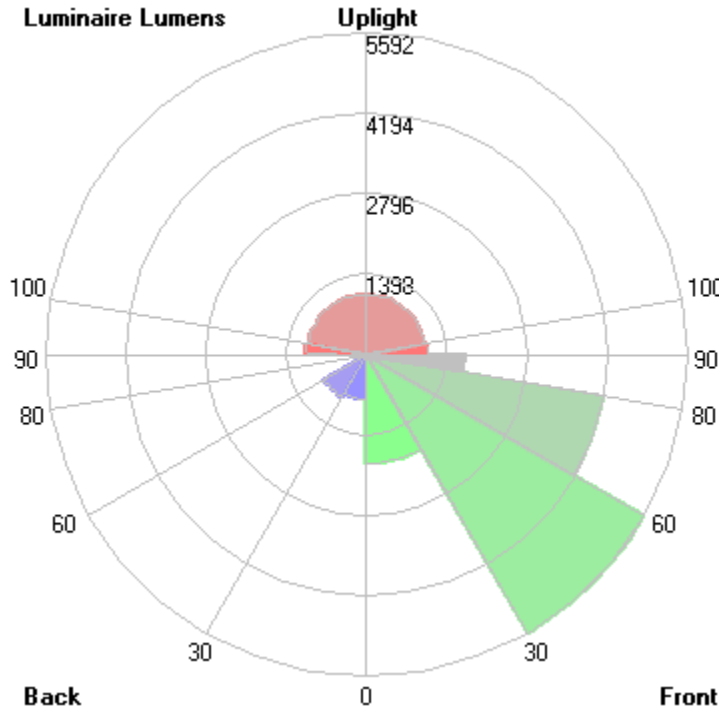
Isolux Diagram





Project:	
Location:	
Model#: WPX120SW-WRV-BZ	Type:
Client:	Qty:
Prepared by:	Date:

BUG Graph



Lum. Classification System (LCS)

LCS Zone	Lumens	%Lum
FL (0-30)	1904.1	10.9
FM (30-60)	5592.5	32.2
FH (60-80)	4190.6	24.1
FVH (80-90)	1719.9	9.9
BL (0-30)	785.9	4.5
BM (30-60)	850.0	4.9
BH (60-80)	212.1	1.2
BVH (80-90)	37.5	0.2
UL (90-100)	1063.0	6.1
UH (100-180)	1038.2	6.0
Total	17393.8	100.0
BUG Rating	B2-U5-G5	

Initial Lumen Output: 17809lm
 Luminaire Type: Wall Pack Non-Cut-off
 Ambient Operating Temp: -40C to +55C
 Limited Product Warranty: 5 Year(s)

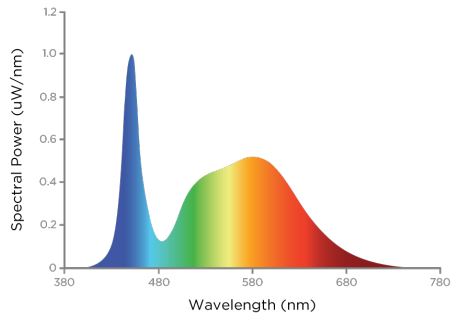
Efficacy: 144.35lm/W
 Environmental Rating(s): IP65
 Certification Standards: UL Safety US-CA
 , DLC Premium

Max Candela: 7697.3cd
 UL Classification: Wet Location Listed
 DLC Number: PLGPI825R2UN

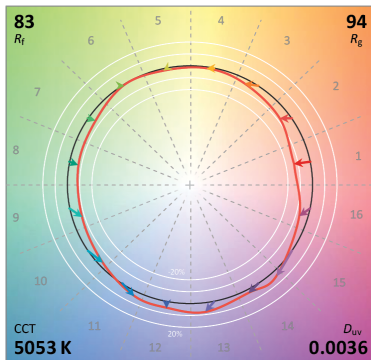
Project:	
Location:	
Model#: WPX120SW-WRV-BZ	Type:
Client:	Qty:
Prepared by:	Date:

LED SPECIFICATIONS

SPD



TM-30



Source Type: LED
 CRI: > 80
 L70: >54000 Hrs.
 Chromaticity: $x=0.344$ $y=0.3582$

Manufacturer: LUMILEDS®
 Rf: 83
 L90: >51,000 hrs.
 Duv: 0.0036

Part Number: L128 Series
 Rg: 94
 Colour Temperature: 5000K



Project:	
Location:	
Model#: WPX120SW-WRV-BZ	Type:
Client:	Qty:
Prepared by:	Date:

ELECTRICAL SPECIFICATIONS

Driver Manufacturer: Weled Power ®
Input Frequency: 50-60Hz
Current Draw@347Vac: 0.3808
Power Factor @120Vac: >.98
THD @347Vac(%): <15%
Surge Suppression: L-N:4KV, L&N-PE:6KV
Short Circuit Protection: Auto Recovery.
The output shall return to normal when the fault condition is removed.

Driver Part Number: WP-CHA-1 20B
Fixture Draw: 123.38W
Inrush Current: <80A
Power Factor @347Vac: >.90
Driver MTBF: 200,000hrs
Dimming: 0-10Vdc, (0% Min Light Level)
Driver Certifications: UL8750/CAN/CSA C22.2 NO. 250.13, FCC Part 15 Class B, RoHS

Input Voltage: 120~347Vac
Current Draw@ 120Vac: 1.0292
Max On-Delay: < 0.5 S
THD @ 120Vac(%): <10%
Max Operating Case Temperature: 85C
Over Temperature Protection: Auto Recovery, The fixture shall shut down and return to operation when the temperature returns to normal.

PHYSICAL SPECIFICATIONS

Finish Colour: Bronze (RAL-8019)
Mounting: Wall Mount
Lens Type: Clear - Prismatic

Finish Type: Textured powder coat over chromate conversion coat
Housing Material: ADC12 Aluminium
Reflector Material: Integral White

Wiring: Internal connections
Lens Material: Glass
Entries: (3) ½" inch threaded knockouts

SHIPPING INFORMATION

OrderingCode(s): WPX120SW-WRV-BZ
Box Weight: 5.24 kg

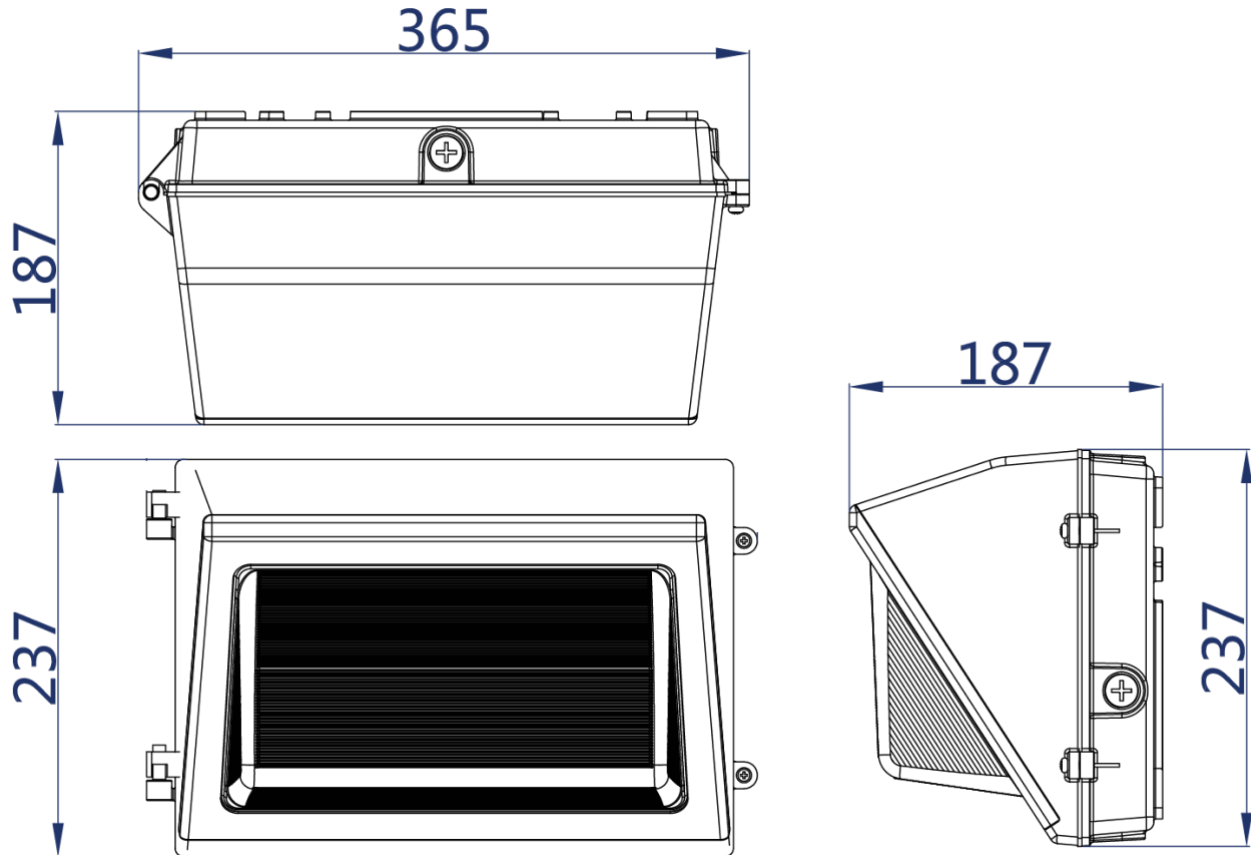
Box Quantity: 1

Box Dimensions (L-W-H): 397 x 297 x 250 mm

Project:	
Location:	
Model#: WPX120SW-WRV-BZ	Type:
Client:	Qty:
Prepared by:	Date:

LINE DRAWING

Line Drawings





Project:	
Location:	
Model#: WPX120SW-WRV-BZ	Type:
Client:	Qty:
Prepared by:	Date:

SERIES ARCHITECTURE

Series Architecture

WPX - - - -

Part	Wattage		CCT	Voltage		Finish		
WPX	40	40W	SW	Selectable White	WRV	120-347VAC	BZ	Bronze
	80	80W		3000K, 4000K, 5000K				
	120	120W						

Optional Extras: WPFLED-PC-120