

Project:	
Location:	
Model#: MPF1503KY-UNV-BZ	Type:
Client:	Qty:
Prepared by:	Date:

SERIES SPECIFICATIONS

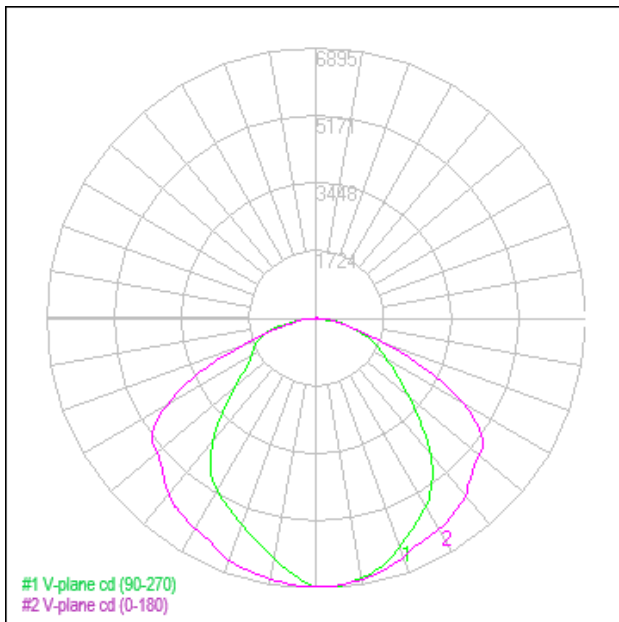


To supply TamLite's MPF Series of Mini floodlight as specified. The luminaire shall operate at 120-277Vac and use a constant current type driver. The housing shall be constructed of powder-coated die-cast Aluminium with a screw down rear wiring compartment with pre-fitted IP68 stainless steel strain relief, and an impact resistant polycarbonate optic. A durable formed gasket shall be provided between the enclosure and the lens, and the wiring compartment and housing. All parts shall be corrosion resistant. LEDs shall be as specified, LUXEON® 3030 2D LED chips. The luminaire shall be cULus Listed and DLC Listed.

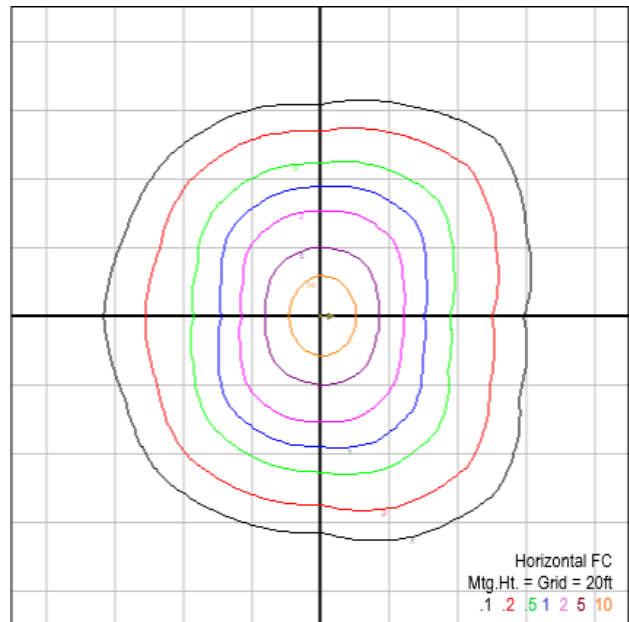


PERFORMANCE SPECIFICATIONS

Luminance Distribution Chart



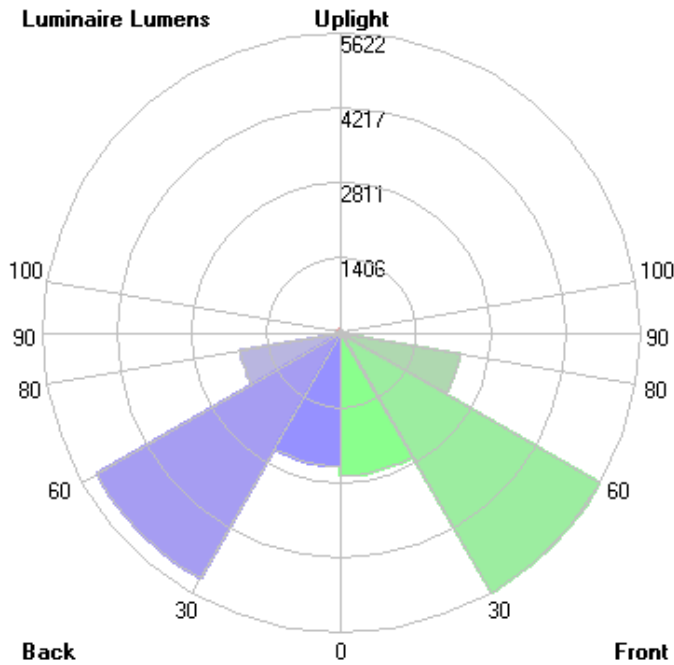
Isolux Diagram





Project:	
Location:	
Model#: MPF1503KY-UNV-BZ	Type:
Client:	Qty:
Prepared by:	Date:

BUG Graph



Lum. Classification System (LCS)

LCS Zone	Lumens	%Lamp	%Lum
FL (0-30)	2680.4	N.A.	13.0
FM (30-60)	5622.4	N.A.	27.3
FH (60-80)	2277.2	N.A.	11.1
FVH (80-90)	114.8	N.A.	0.6
BL (0-30)	2509.9	N.A.	12.2
BM (30-60)	5309.0	N.A.	25.8
BH (60-80)	1928.9	N.A.	9.4
BVH (80-90)	104.5	N.A.	0.5
UL (90-100)	3.0	N.A.	0.0
UH (100-180)	46.2	N.A.	0.2
Total	20596.3	N.A.	100.0
BUG Rating	B4-U2-G3		

Initial Lumen Output: 20500lm
 NEMA Type: 7H x 7V
 BUG Rating: B4-U2-G3
 Ambient Operating Temp: -40C to +40C
 CCN Number: IFAM7.E359675

Efficacy: 137lm/W
 Beam Angle: 128H / 92V
 Environmental Rating(s): IP65
 Certification Standards: UL Safety US-CA
 , DLC
 Limited Product Warranty: 5 Year(s)

CBCP: 6895cd
 Luminaire Type: Direct - Type II Very Short
 UL Classification: Wet Location Listed
 DLC Number: PG1LRA4C

Project:	
Location:	
Model#: MPF1503KY-UNV-BZ	Type:
Client:	Qty:
Prepared by:	Date:

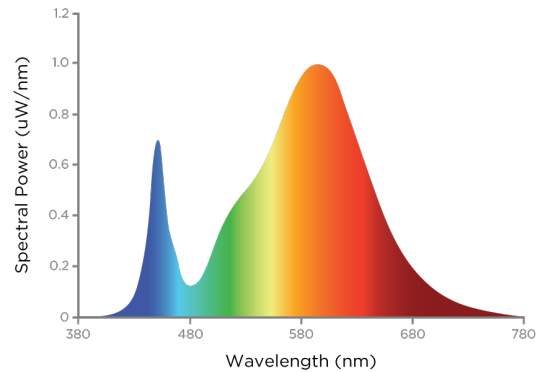
LED SPECIFICATIONS

R Tables

R1	80
R2	88
R3	93
R4	81
R5	81
R6	83
R7	87
R8	66

R9	5
R10	71
R11	80
R12	58
R13	83
R14	96
R15	75
--	--

SPD



Source Type: LED
CRI: > 80
Chromaticity: x=0.34718 y=0.35326

Manufacturer: Lumileds®
L70: 54000 Hrs
Duv: 0.005

Part Number: LUXEON 3030 2D
Colour Temperature: 3000K

ELECTRICAL SPECIFICATIONS

Driver Manufacturer: TOWIN®
Input Frequency: 50-60Hz
Auxiliary Control:
THD @ 120Vac(%): <10%
Max Operating Case Temperature: 85C
Short Circuit Protection: Auto Recovery.
 The output shall return to normal after the fault condition is removed.

Driver Part Number: DF120W-40C2450B
Fixture Draw: 152.9W
Power Factor @120Vac: >.90
THD @277Vac(%): <10%
Dimming: Not Suitable for Dimming
Driver Certifications: c-RU-us Class 2, FCC Part 15 Class B, RoHS

Input Voltage: 120~277Vac
Max On-Delay: < 1 S
Power Factor @277Vac: >.90
Driver MTBF: 50,000hrs
Over Temperature Protection: Decreases output current, returning to normal after over temperature is removed.

PHYSICAL SPECIFICATIONS

Finish Colour: Bronze (RAL-8019)
Housing Material: ADC12 Aluminium
Entries: Stainless Steel Strain Relief

Wiring: 6' 18-3 SJTW Cord Whip
Lens Material: PMMA

Mounting: Yoke Mount
Lens Type: Clear Optics

Project:	
Location:	
Model#: MPF1503KY-UNV-BZ	Type:
Client:	Qty:
Prepared by:	Date:

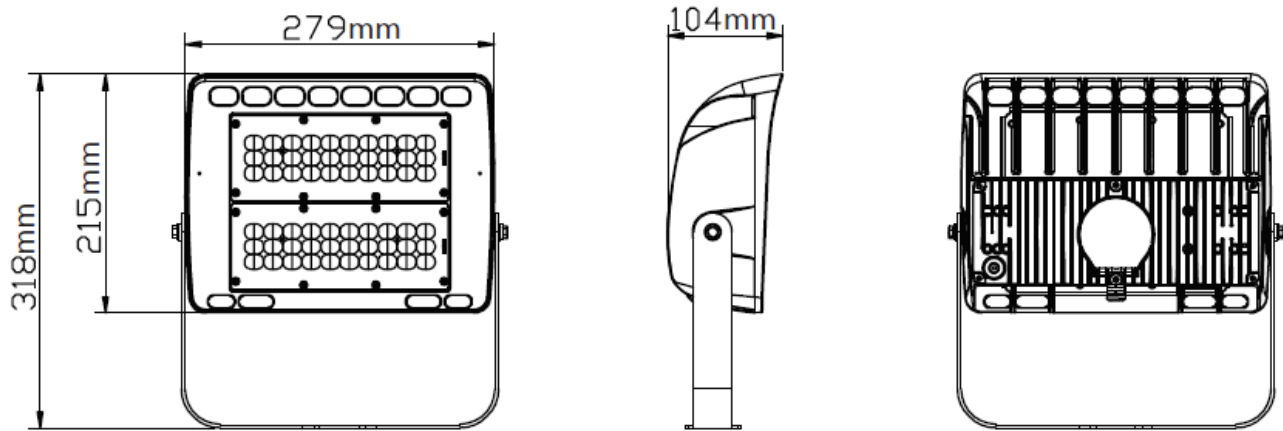
SHIPPING INFORMATION

OrderingCode(s): MPF1005KY-UNV-BZ

Box Quantity: 1

LINE DRAWING

Line Drawings



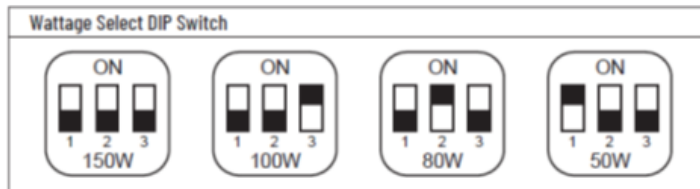
Project:	
Location:	
Model#: MPF1503KY-UNV-BZ	Type:
Client:	Qty:
Prepared by:	Date:

SERIES ARCHITECTURE

Series Architecture

MPF - - - - -										
Part	Wattage		CCT		Mounting		Voltage		Finish	
MPF	12	12W	30K	3000K	Y	Yoke Mount	UNV	120-277VAC	BZ	Bronze
	30	30W	40K	4000K	K	1/2" Threaded Knuckle	UN4	347VAC	BK	Black
	50	50W	50K	5000K	S	Slip Fitter (2-3/8" O.D.)			WH	White
	80	80W							CC	Custom Colour
	100	100W								
	150	150W								

	Wattage			
	150W	100W	80W	50W
Lumens	20,500 lm	13,660 lm	10,930 lm	6,830 lm



*DIP Switch is white. Keep cover on for waterproof.