



Project:	
Location:	
Model#: JBR4730K-120-WH	Type:
Client:	Qty:
Prepared by:	Date:

SERIES SPECIFICATIONS

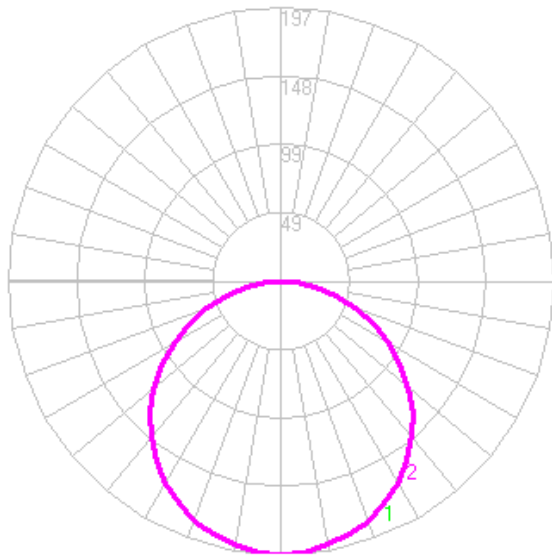


To supply TamLite JBR series of LED fixtures as specified. The luminaire shall operate at 120 VAC Using a constant current type integral driver. The housing shall be constructed of die cast aluminium, finished with a textured powder coat over a chromate conversion coat. All hardware to be stainless steel. Wiring compartment to be integral with hinged wiring cover. Optics to be constructed of Acrylic and be sealed via captive gasket. Fixture shall be cULus and Energy Star approved.

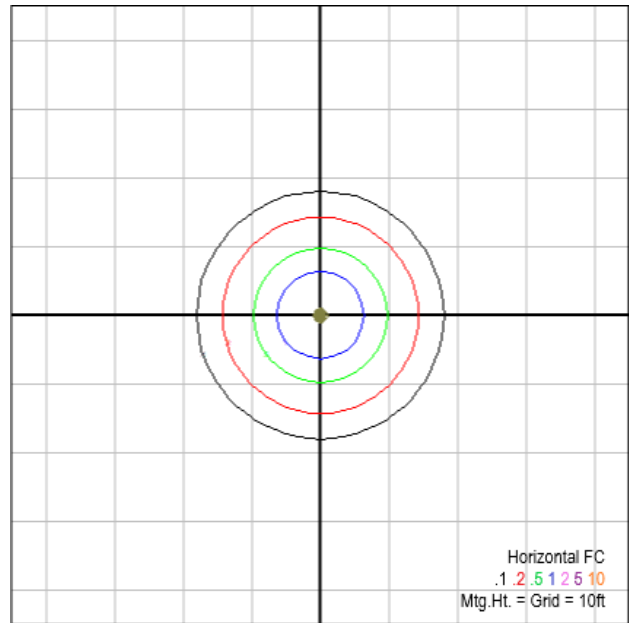


PERFORMANCE SPECIFICATIONS

Luminance Distribution Chart



Isolux Diagram



Zonal Lumen Summary

Zone	Lumens	Zone	Lumens	Zone	Lumens	Zone	Lumens	Zone	Lumens	Zone	Lumens
0-10	18.61	30-40	98.73	60-70	72.59	90-100	0	120-130	0	150-160	0
10-20	53.4	40-50	103.17	70-80	43.06	100-110	0	130-140	0	160-170	0
20-30	81.29	50-60	93.88	80-90	12.86	110-120	0	140-150	0	170-180	0



Project:	
Location:	
Model#: JBR4730K-120-WH	Type:
Client:	Qty:
Prepared by:	Date:

Co-efficient of Utilization

RC	80				70				50			30			10			0
RW	70	50	30	10	70	50	30	10	50	30	10	50	30	10	50	30	10	0
RF	20				20				20			20			20			20
0	119	119	119	119	116	116	116	116	111	111	111	106	106	106	102	102	102	100
1	108	103	99	95	106	101	97	94	97	94	91	93	90	88	89	87	85	83
2	98	90	83	77	96	88	82	76	84	79	74	81	77	73	78	74	71	69
3	90	79	70	64	87	77	69	63	74	68	62	71	66	61	69	64	60	58
4	82	70	61	54	80	68	60	53	66	58	53	63	57	52	61	56	51	49
5	75	62	53	46	73	61	52	46	59	51	45	57	50	45	55	49	44	42
6	69	56	47	40	67	55	46	40	53	45	40	51	45	39	50	44	39	37
7	64	51	42	36	63	50	41	35	48	41	35	47	40	35	45	39	35	33
8	60	46	38	32	58	45	37	32	44	37	31	43	36	31	42	36	31	29
9	56	42	34	28	54	42	34	28	41	33	28	39	33	28	38	32	28	26
10	52	39	31	26	51	39	31	26	38	30	26	37	30	25	36	30	25	24

Initial Lumen Output: 578lm

Beam Angle: 100 deg

Spacing Criteria: 1.22 (0-180) 1.22 (90-270)

Limited Product Warranty: 5 Year(s)

Efficacy: 82.57lm/W

Field Angle: 170 deg

Environmental Rating(s): Wet Location

CBCP: 197cd

Luminaire Type: Surface, Direct

Certification Standards: cETLus, Energy Star

Project:	
Location:	
Model#: JBR4730K-120-WH	Type:
Client:	Qty:
Prepared by:	Date:

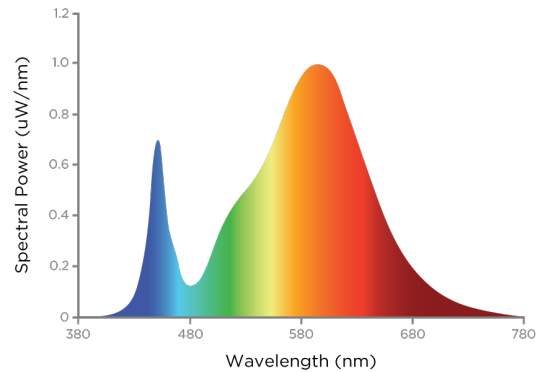
LED SPECIFICATIONS

R Tables

SPD

R1	96
R2	99
R3	97
R4	94
R5	95
R6	96
R7	91
R8	82

R9	66
R10	97
R11	95
R12	82
R13	97
R14	100
R15	92
Ra	85



Source Type: LED

CRI: > 90

Colour Temperature: 3000K

ELECTRICAL SPECIFICATIONS

Input Voltage: 120Vac

Current Draw at 120Vac: 0.0583A

THD at 120Vac(%): < 20%

Driver Certifications: c-RU-us Class 2, FCC Part 15 Class B, RoHS

Input Frequency: 50/60 hz

Max On-Delay: < 1 S

Over Temperature Protection: Auto Recovery, The fixture shall shut down and return to operation when the temperature returns to normal.

Fixture Draw: 7W

Power Factor at 120Vac: > 0.90

Short Circuit Protection: Auto Recovery. The output shall return to normal when the fault condition is removed.

PHYSICAL SPECIFICATIONS

Finish Colour: White

Finish Type: Textured powder coat over chromate conversion coat

Mounting: Octagon Box By others

Project:	
Location:	
Model#: JBR4730K-120-WH	Type:
Client:	Qty:
Prepared by:	Date:

SHIPPING INFORMATION

OrderingCode(s): JBR4730K-120-WH

Box Weight: 0.22 kg

Carton Weight: 2.9 kg

Box Quantity: 1

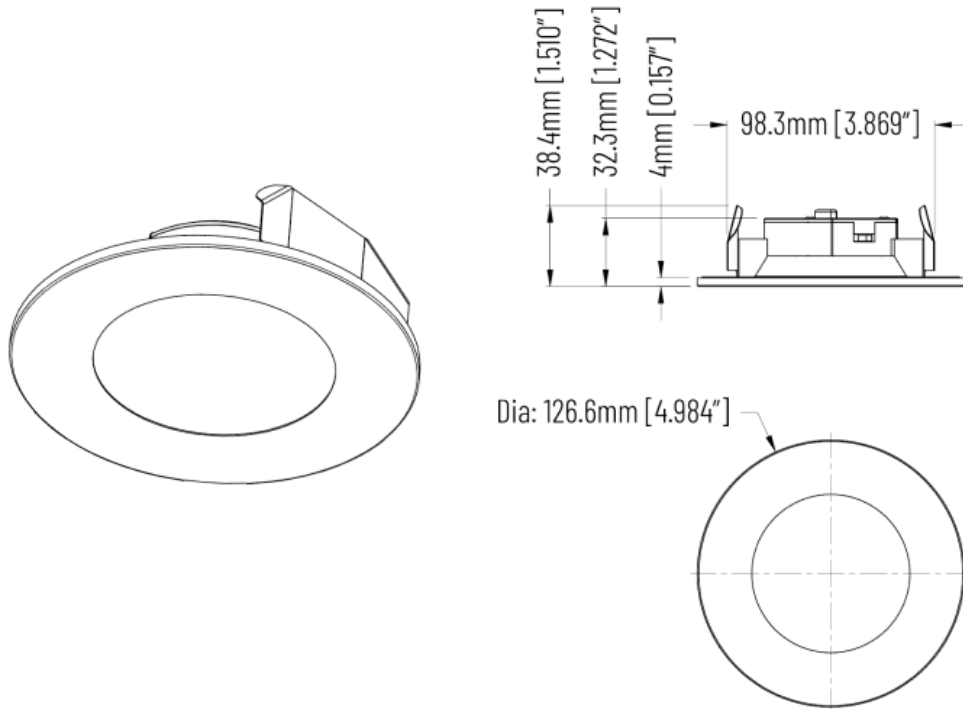
Carton Quantity: 12

Box Dimensions (L-W-H): 135 x 135 x 48 mm

Carton Dimensions (I-W-H): 285 x 285 x 155 mm

LINE DRAWING

Line Drawings



SERIES ARCHITECTURE

Optional Extras: JBR4-BK, JBR4-SN