



Project:	
Location:	
Model#: HBX-OC-REMOTE	Type:
Client:	Qty:
Prepared by:	Date:

SERIES SPECIFICATIONS

Hand held Infrared remote programmer for the HBX-OC



ELECTRICAL SPECIFICATIONS

Dimming: 0-10Vdc, (0% Min Light Level)

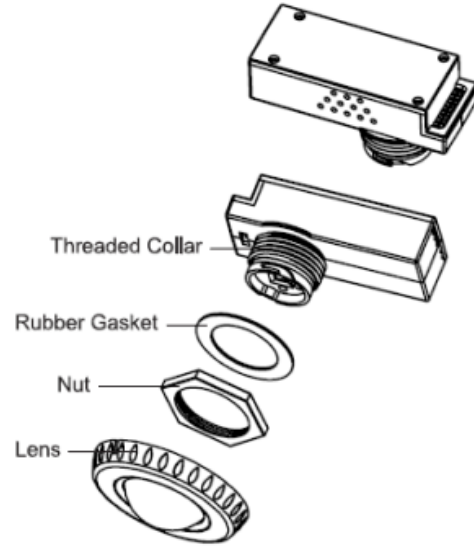
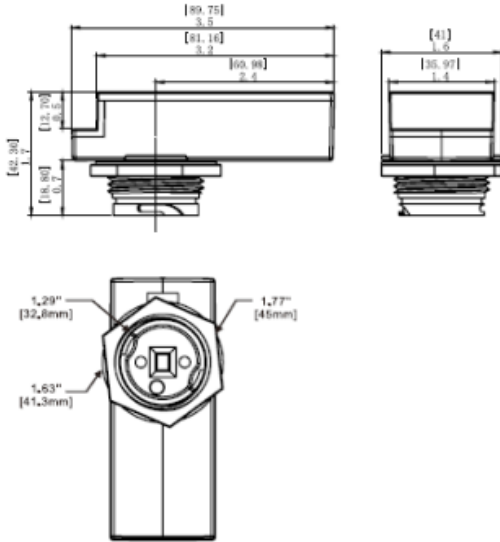
SHIPPING INFORMATION

OrderingCode(s): HBX-OC-REMOTE Box Quantity: 1

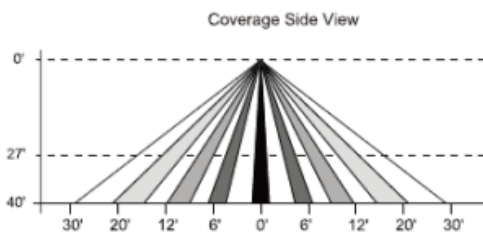
Project:	
Location:	
Model#: HBX-OC-REMOTE	Type:
Client:	Qty:
Prepared by:	Date:

LINE DRAWING

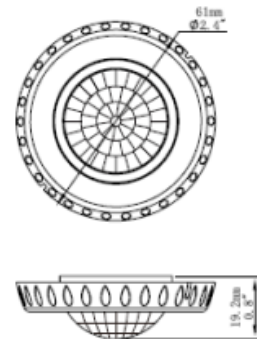
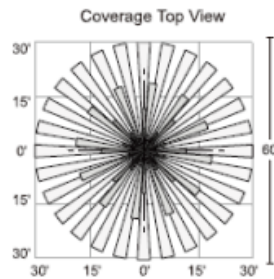
Line Drawings



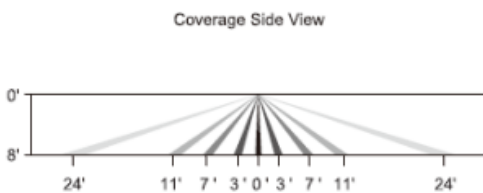
L3



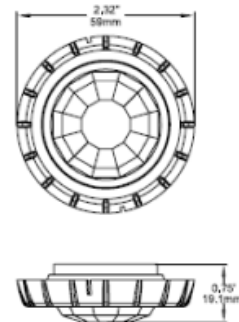
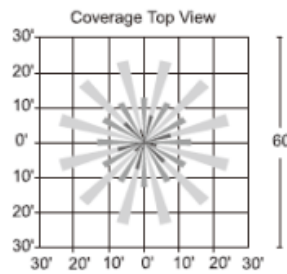
L3: 360° Coverage



L4



L4:360° Coverage





Project:	
Location:	
Model#: HBX-OC-REMOTE	Type:
Client:	Qty:
Prepared by:	Date: