



Project:	
Location:	
Model#: EUD61430K-120-WH	Type:
Client:	Qty:
Prepared by:	Date:

SERIES SPECIFICATIONS

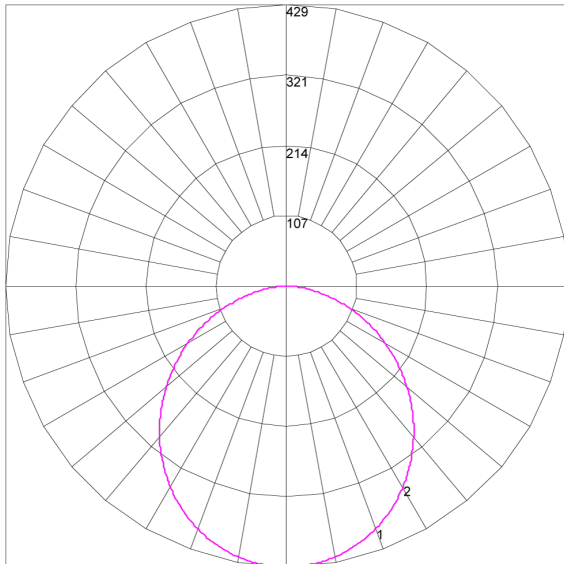


To supply Tamlite EUD series of LED fixtures as specified. The luminaire shall operate at 120Vac and use a TRIAC dimmable, constant current type Integral driver. The housing shall be constructed of die cast Aluminium finished with a textured powder coat over a chromate conversion coat. All hardware to be stainless steel. Wiring compartment to be Integral with hinged wiring cover. Optics to be constructed of Acrylic and be sealed via captive gasket. Rated for insulated ceiling and Air Tight (ASTM-E283) applications. Connecting cable shall be FT1 plenum rated. Fixture shall be cULus and Energy Star approved.



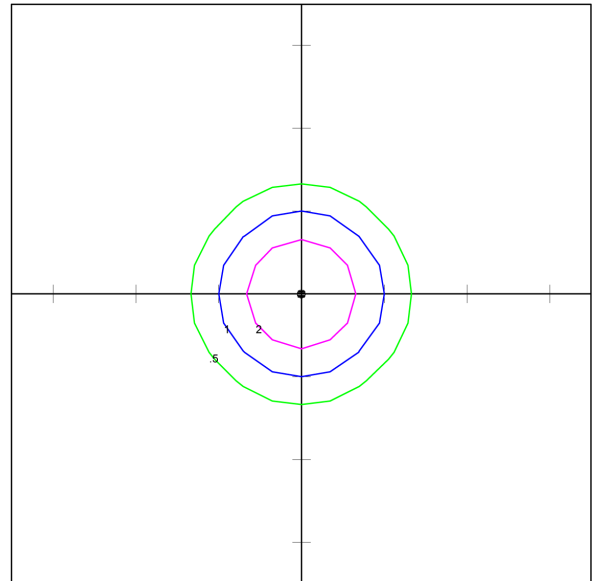
PERFORMANCE SPECIFICATIONS

Luminance Distribution Chart



Maximum Candela = 428.5 Located At Horizontal Angle = 0, Vertical Angle = 0
 # 1 - Vertical Plane Through Horizontal Angles (0 - 180) (Through Max. Cd.)
 # 2 - Vertical Plane Through Horizontal Angles (90 - 270)

Isolux Diagram



Tamlite Lighting Canada
 10 Perdue Crt. Caledon, ON
 EUD614
 6 Inch 14W LED Disk Light
 48 white LEDs

Horizontal Footcandles
 Scale: 1 Inch = 10 Ft.
 Light Loss Factor = 1.00
 Lumens Per Lamp = N.A. (absolute photometry)
 Luminaire Lumens = 1162
 Mounting Height = 10.00 Ft
 Maximum Calculated Value = 4.29 Fc
 Arrangement: Single



Project:	
Location:	
Model#: EUD61430K-120-WH	Type:
Client:	Qty:
Prepared by:	Date:

Zonal Lumen Summary

ZONE	LUMENS	ZONE	LUMENS	ZONE	LUMENS	ZONE	LUMENS	ZONE	LUMENS
0-10	40.54	40-50	209.24	80-90	18.91	120-130	0.00	160-170	0.00
10-20	115.65	50-60	184.63	90-100	0.01	130-140	0.00	170-180	0.00
20-30	173.55	60-70	137.68	100-110	0.00	140-150	0.00	--	--
30-40	205.87	70-80	75.79	110-120	0.00	150-160	0.00	--	--

Co-efficient of Utilization

CC	80				70				50			30			10			0
WALL	70	50	30	10	70	50	30	10	50	30	10	50	30	10	50	30	10	0
fc	20				20				20			20			20			0
RCR																		
0	119	119	119	119	116	116	116	116	111	111	111	106	106	106	102	102	102	100
1	109	104	100	96	106	102	98	95	98	95	92	94	91	89	90	88	86	84
2	99	91	84	79	97	89	83	78	86	80	76	82	78	74	79	76	72	70
3	90	80	72	66	88	78	71	65	75	69	64	73	67	63	70	66	62	59
4	83	71	62	56	81	70	62	55	67	60	54	65	59	54	63	57	53	51
5	76	63	55	48	74	62	54	48	60	53	47	58	52	47	56	51	46	44
6	70	57	48	42	69	56	48	42	54	47	41	53	46	41	51	45	41	39
7	65	52	43	37	64	51	43	37	50	42	37	48	41	36	47	41	36	34
8	61	47	39	33	59	47	39	33	45	38	33	44	37	33	43	37	32	30
9	57	44	35	30	55	43	35	30	42	35	30	41	34	29	40	34	29	27
10	53	40	32	27	52	40	32	27	39	32	27	38	31	27	37	31	27	25

Initial Lumen Output: 1162lm

Beam Angle: 110 deg

Spacing Criteria: 1.24(0-180), 1.24(90-270)

Ambient Operating Temp: -20C to +40C

Limited Product Warranty: 5 Year(s)

Efficacy: 85lm/W

Field Angle: 160 deg

Environmental Rating(s): IC Rated, Air Tight ASTM E283

Certification Standards: cETLus, Energy Star, Air Tight (ASTM-E283), CAN ICES-005(B) NMB-005(B)

CBCP: 428.5cd

Luminaire Type: Direct

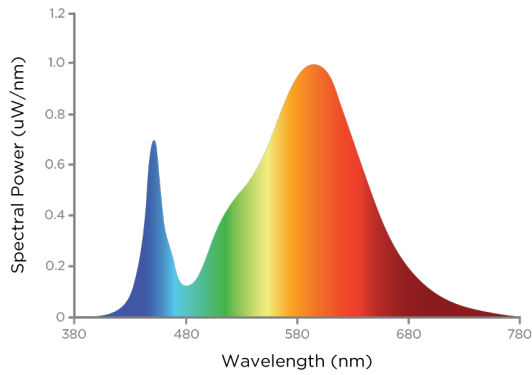
UL Classification: Wet Location Listed

CCN Number: IFA07.E470484

Project:	
Location:	
Model#: EUD61430K-120-WH	Type:
Client:	Qty:
Prepared by:	Date:

LED SPECIFICATIONS

SPD



Source Type: LED
L90: 25,000 Hrs.
Duv: 0.000995

CRI: >80
Colour Temperature: 3000K

L70: 40000 Hrs.
Chromaticity: x=0.4538 y=0.4065

ELECTRICAL SPECIFICATIONS

Input Voltage: 120Vac
Current Draw at 120Vac: 0.1167A
Power Factor at 120Vac: > 0.90
Dimming Current mA: .5mA draw

Input Frequency: 50/60 hz
Current Draw at 347Vac:
Max Operating Case Temperature: 40C
Over Temperature Protection: Auto Recovery. Returning to normal after over temperature is removed.

Fixture Draw: 13.5W
Max On-Delay: < 0.75 S
Dimming: TRIAC (1-10Vdc, 10% Min Light Level)
Short Circuit Protection: Auto Recovery. The output shall return to normal when the fault condition is removed.

PHYSICAL SPECIFICATIONS

Finish Colour: White
Mounting: Recessed

Finish Type: Powder Coated
Housing Material: Die-cast Aluminium

Wiring: Internal junction box for through circuit wiring. Connecting cable shall be FT1 plenum rated.
Lens Material: UV Stabilized Acrylic

Project:	
Location:	
Model#: EUD61430K-120-WH	Type:
Client:	Qty:
Prepared by:	Date:

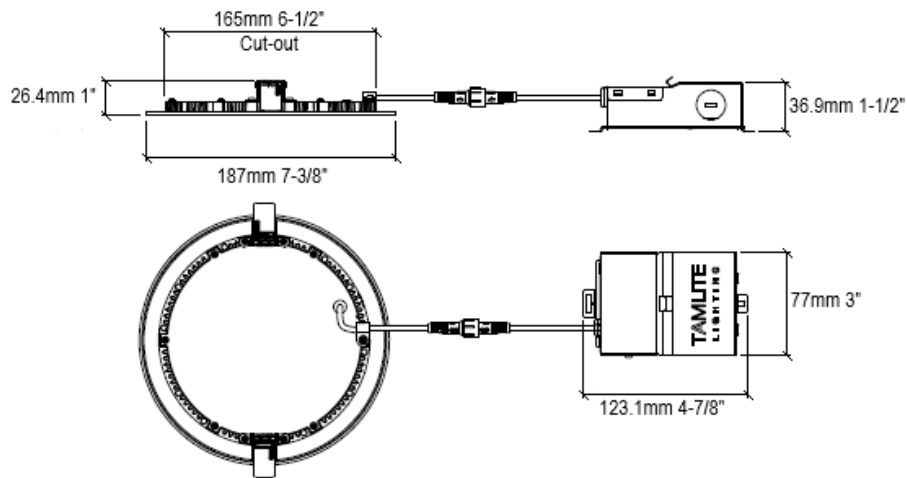
SHIPPING INFORMATION

OrderingCode(s): EUD61430K-120-WH

Box Quantity: 6

LINE DRAWING

Line Drawings



SERIES ARCHITECTURE

Series Architecture

EUD - - - - -									
Part	Size	Wattage	CCT	Voltage		Finish		Options	
EUD	4 4 inch	7 7w	30K 3000K	120	120VAC	WH	White	EUD4-BK	Black Attachable faceplate
	6 6 inch	14 14w	40K 4000K		*Triac Dimmable	CC	Custom	EUD4-SN	Satin Nickel Attachable faceplate
			50K 5000K					EUD6-BK	Black Attachable faceplate
			SW Selectable White					EUD6-SN	Satin Nickel Attachable faceplate
			27K,30K,35K,40K,50K					GR4-WH	Goof ring for EUD-4
								GR6-WH	Goof ring for EUD-6

Optional Extras: DL3000, RIP46, RIP6L, EUD6-BK, EUD6_SN, LY-VB, GR6-WH