

Project:	
Location:	
Model#: ARPT803KT2H-UN4-BZ	Type:
Client:	Qty:
Prepared by:	Date:

## SERIES SPECIFICATIONS

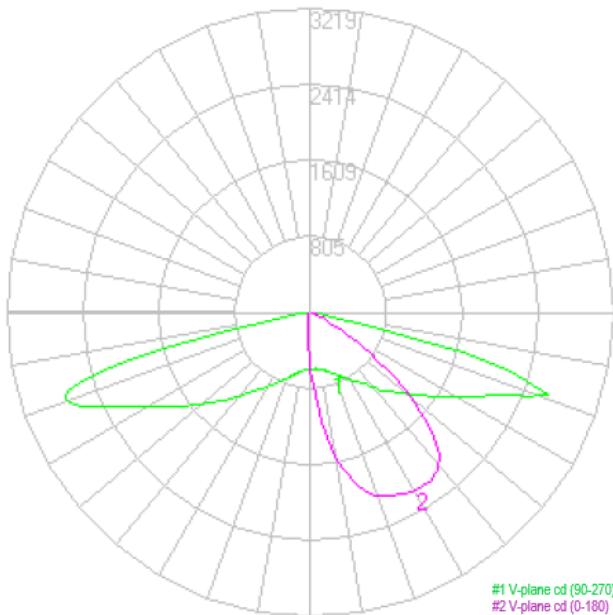


To supply TamLite ARPT Series of LED fixtures as specified. The luminaire shall operate at 347Vac and use a 1-10Vdc, (10% Min Light Level) dimmable, constant current type Inventronics® driver. The housing shall be constructed of ADC12 Aluminium with a Textured Powder Coat over Chromate Conversion Coat. All hardware to be stainless steel. Bottom access wiring compartment to be hinged and sealed with a durable foamed gasket. Fixtures to come standard with a NEMA7 style twist lock socket and shorting cap. Optics to be constructed of PMMA be sealed via captive gasket and complete with a Clear Optics LED's shall be as specified Nichia® NVSW219 with a 3 SDCM colour tolerance. Fixture shall be UL Safety US-CA listed.

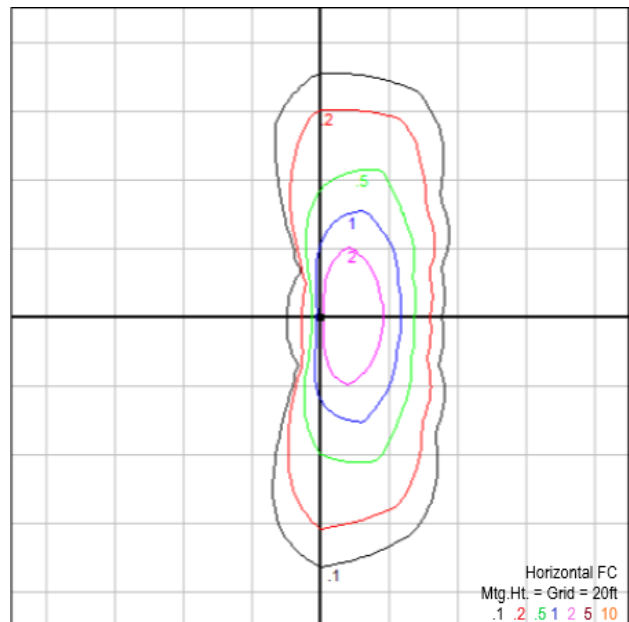


## PERFORMANCE SPECIFICATIONS

Luminance Distribution Chart



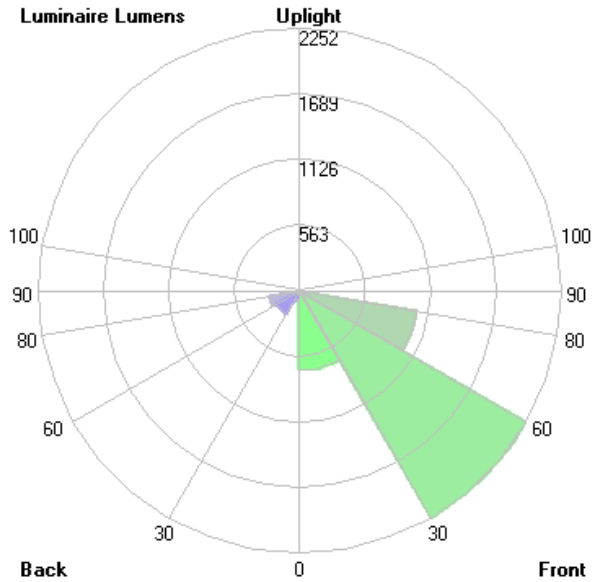
Isolux Diagram





Project:	
Location:	
Model#: ARPT803KT2H-UN4-BZ	Type:
Client:	Qty:
Prepared by:	Date:

**BUG Graph**



**Lum. Classification System (LCS)**

LCS Zone	Lumens	%Lum
FL (0-30)	685.6	15.0
FM (30-60)	2252.0	49.4
FH (60-80)	1025.2	22.5
FVH (80-90)	13.6	0.3
BL (0-30)	85.7	1.9
BM (30-60)	233.8	5.1
BH (60-80)	261.1	5.7
BVH (80-90)	2.7	0.1
UL (90-100)	0.0	0.0
UH (100-180)	0.0	0.0
<b>Total</b>	<b>4559.7</b>	<b>100.0</b>
<b>BUG Rating</b>	<b>B1-U0-G1</b>	

**Initial Lumen Output:** 6997lm

**Environmental Rating(s):** IP66

**Certification Standards:** UL Safety US-CA

**Efficacy:** 95lm/W

**UL Classification:** Wet Location Listed

**CCN Number:** IFAM7.E359675

**Luminaire Type:** Type II-H - Medium

**Ambient Operating Temp:** -40C to +40C

**Limited Product Warranty:** 10 Year(s)

<b>Project:</b>	
<b>Location:</b>	
<b>Model#:</b> ARPT803KT2H-UN4-BZ	<b>Type:</b>
<b>Client:</b>	<b>Qty:</b>
<b>Prepared by:</b>	<b>Date:</b>

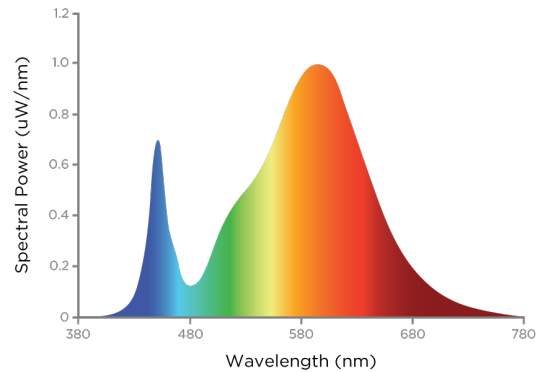
**LED SPECIFICATIONS**

**R Tables**

<b>R1</b>	73
<b>R2</b>	77
<b>R3</b>	80
<b>R4</b>	76
<b>R5</b>	74
<b>R6</b>	70
<b>R7</b>	80
<b>R8</b>	61

<b>R9</b>	0
<b>R10</b>	46
<b>R11</b>	76
<b>R12</b>	50
<b>R13</b>	73
<b>R14</b>	89
<b>R15</b>	67
<b>--</b>	<b>--</b>

**SPD**



**Source Type:** LED  
**CRI:** >70  
**Chromaticity:** x=0.4338 y=0.4030

**Manufacturer:** Nichia®  
**L70:** 60000 Hrs.  
**Colour Tolerance:** 3 SDCM

**Part Number:** NVSW219  
**Colour Temperature:** 3000K  
**Duv:** 0.005

**ELECTRICAL SPECIFICATIONS**

**Driver Manufacturer:** Inventronics®  
**Input Frequency:** 50/60 hz  
**Inrush Current:** 1.3 A2S  
**Power Factor at 347Vac:** > 0.90  
**Driver MTBF:** 61,900 hrs  
**Dimming:** 1-10Vdc, (10% Min Light Level)  
**Short Circuit Protection:** Auto recovery.  
 The output shall return to normal when the fault condition is removed.

**Driver Part Number:** ESC-075S140DT  
**Fixture Draw:** 72.52W  
**Max On-Delay:** < 3 S  
**THD at 277Vac(%):** < 10%  
**Max Operating Case Temperature:** 90C  
**Dimming Current mA:** 0.2  
**Driver Certifications:** c-RU-us Class 2, FCC Part 15 Class B, RoHS

**Input Voltage:** 347Vac  
**Current Draw at 347Vac:** 0.2105  
**Auxiliary Control:** 12 Vdc  
**THD at 347Vac(%):** < 15%  
**Surge Suppression:** 10kV  
**Over Temperature Protection:** Auto recovery. Current returns to normal after over temperature is removed.

**PHYSICAL SPECIFICATIONS**

**Finish Colour:** Bronze (RAL-8019)  
**Mounting:** 2.375" O.D. Top Tenon  
**Lens Type:** Clear Optics

**Finish Type:** Textured Powder Coat over Chromate Conversion Coat  
**Housing Material:** ADC12 Aluminium  
**Entries:** Gasketed Wire Entry

**Wiring:** Internal Junction  
**Lens Material:** PMMA

Project:	
Location:	
Model#: ARPT803KT2H-UN4-BZ	Type:
Client:	Qty:
Prepared by:	Date:

SHIPPING INFORMATION

OrderingCode(s): ARPT8030KT2H-UN4-BZ

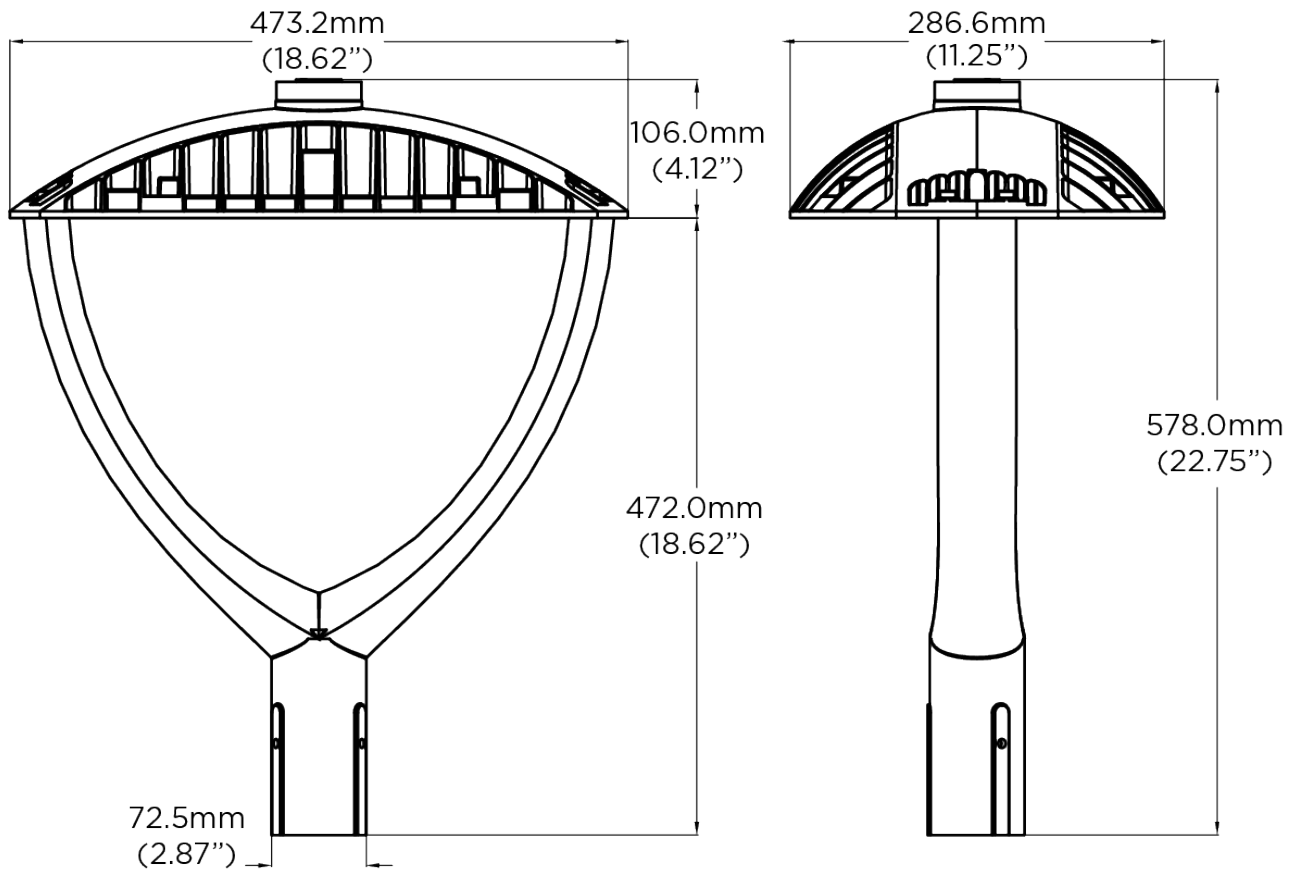
Box Weight: 9.2 kg

Box Quantity: 1

Box Dimensions (L-W-H): 520 x 500 x 220 mm

LINE DRAWING

Line Drawings





Project:	
Location:	
Model#: ARPT803KT2H-UN4-BZ	Type:
Client:	Qty:
Prepared by:	Date:

SERIES ARCHITECTURE

Series Architecture

Part	Wattage	CCT	Mounting	Optics	Voltage	Finish	Accessories
ARPT	40 40W	30K 3000K	Blank 2-3/8" O.D. Tennon	T2 Type II	UNV 120-277VAC	BZ Bronze	O Occupancy Sensor
	80 80W	40K 4000K		T2H Type II with House Side Shield	UN4 347VAC	BK Black	AR-N3PC-UNV 120VAC Photo control
		50K 5000K		T3 Type III		WH White	AR-N3PC-UN4 347VAC Photo control
	AM Amber	T3H Type III with House Side Shield		CC Custom	FSIR-100	Programming remote, sold seperately	
		T4 Type IV					
		T4H Type IV with House Side Shield					
		T5 Type V					
		T5H Type V with House Side Shield					

Optional Extras: AR-N3PC-UN4