

Project:	
Location:	
Model#: ARPT805KT5-UNV-BZ	Type:
Client:	Qty:
Prepared by:	Date:

SERIES SPECIFICATIONS

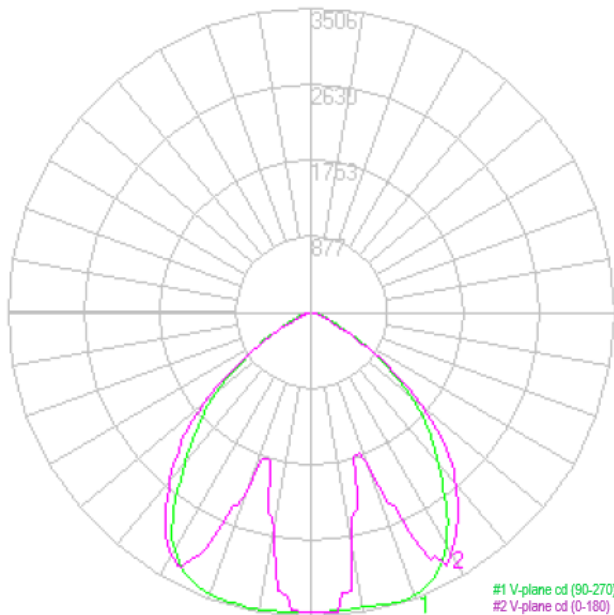


To supply TamLite ARPT Series of LED fixtures as specified. The luminaire shall operate at 120-277Vac and use a 1-10Vdc, (10% Min Light Level) dimmable, constant current type Inventronics® driver. The housing shall be constructed of ADC12 Aluminium with a Textured Powder Coat over Chromate Conversion Coat. All hardware to be stainless steel. Bottom access wiring compartment to be hinged and sealed with a durable foamed gasket. Fixtures to come standard with a NEMA7 style twist lock socket and shorting cap. Optics to be constructed of PMMA be sealed via captive gasket and complete with a Clear Optics LED's shall be as specified Nichia® NVSW219 with a 3 SDCM colour tolerance. Fixture shall be UL Safety US-CA , DLC Approved listed.

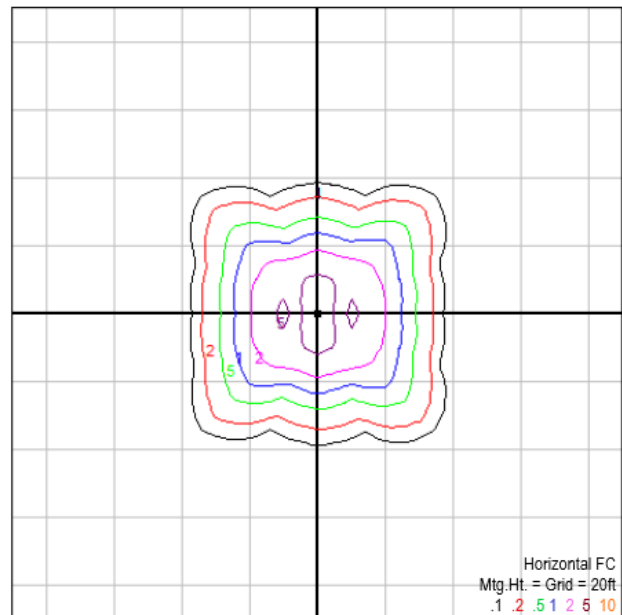


PERFORMANCE SPECIFICATIONS

Luminance Distribution Chart



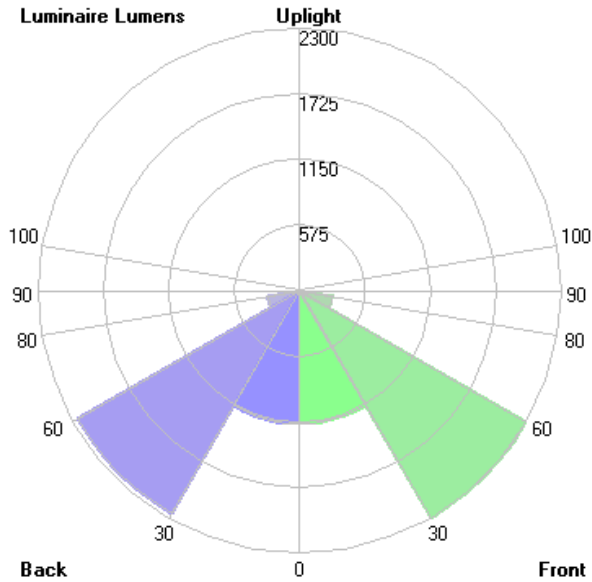
Isolux Diagram





Project:	
Location:	
Model#: ARPT805KT5-UNV-BZ	Type:
Client:	Qty:
Prepared by:	Date:

BUG Graph



Lum. Classification System (LCS)

LCS Zone	Lumens	%Lum
FL (0-30)	1168.9	15.6
FM (30-60)	2300.1	30.7
FH (60-80)	297.2	4.0
FVH (80-90)	7.6	0.1
BL (0-30)	1166.2	15.6
BM (30-60)	2252.5	30.1
BH (60-80)	286.8	3.8
BVH (80-90)	8.3	0.1
UL (90-100)	0.0	0.0
UH (100-180)	0.0	0.0
Total	7487.6	100.0
BUG Rating	B3-U0-G0	

Initial Lumen Output: 7448lm

BUG Rating: B3-U0-G0

Ambient Operating Temp: -40C to +40C

CCN Number: IFAM7.E359675

Efficacy: 101.1lm/W

Environmental Rating(s): IP66

Certification Standards: UL Safety US-CA
, DLC Approved

Limited Product Warranty: 10 Year(s)

Luminaire Type: Type V - Very Short

UL Classification: Wet Location Listed

DLC Number: PEB1P26R

Project:	
Location:	
Model#: ARPT805KT5-UNV-BZ	Type:
Client:	Qty:
Prepared by:	Date:

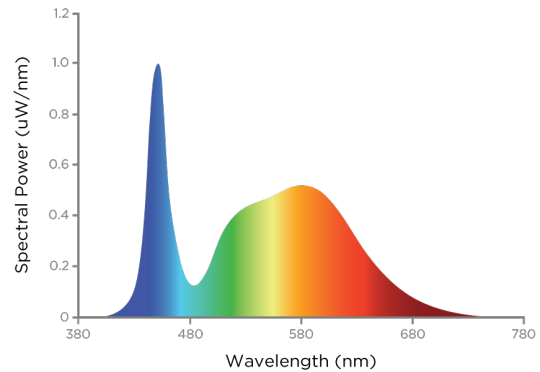
LED SPECIFICATIONS

R Tables

R1	74
R2	77
R3	78
R4	76
R5	75
R6	69
R7	79
R8	62

R9	0
R10	44
R11	77
R12	51
R13	73
R14	87
R15	68
--	--

SPD



Source Type: LED
CRI: >70
Chromaticity: x=0.3375 y=0.3396

Manufacturer: Nichia®
L70: 60000 Hrs.
Colour Tolerance: 3 SDCM

Part Number: NVSW219
Colour Temperature: 5000K
Duv: 0.005

ELECTRICAL SPECIFICATIONS

Driver Manufacturer: Inventronics®
Input Frequency: 50/60 hz
Inrush Current: 1.3 A2S
Power Factor at 120Vac: > 0.90
Driver MTBF: 99,000 hrs
Dimming: 1-10Vdc, (10% Min Light Level)
Short Circuit Protection: Auto recovery.
 The output shall return to normal when the fault condition is removed.

Driver Part Number: EUG-075S175DT
Fixture Draw: 72.89W
Max On-Delay: < 1 S
THD at 120Vac(%): < 10%
Max Operating Case Temperature: 90C
Dimming Current mA: 0.2
Driver Certifications: c-RU-us Class 2, FCC Part 15 Class B, RoHS

Input Voltage: 120-277Vac
Current Draw at 120Vac: 0.60924439986626
Auxiliary Control: 12 Vdc
THD at 277Vac(%): < 10%
Surge Suppression: 10kV
Over Temperature Protection: Auto recovery. Current returns to normal after over temperature is removed.

PHYSICAL SPECIFICATIONS

Finish Colour: Bronze (RAL-8019)
Mounting: 2.375" O.D. Top Tenon
Lens Type: Clear Optics

Finish Type: Textured Powder Coat over Chromate Conversion Coat
Housing Material: ADC12 Aluminium
Entries: Gasketed Wire Entry

Wiring: Internal Junction
Lens Material: PMMA

Project:	
Location:	
Model#: ARPT805KT5-UNV-BZ	Type:
Client:	Qty:
Prepared by:	Date:

SHIPPING INFORMATION

OrderingCode(s): ARPT8050KT5-UNV-BZ

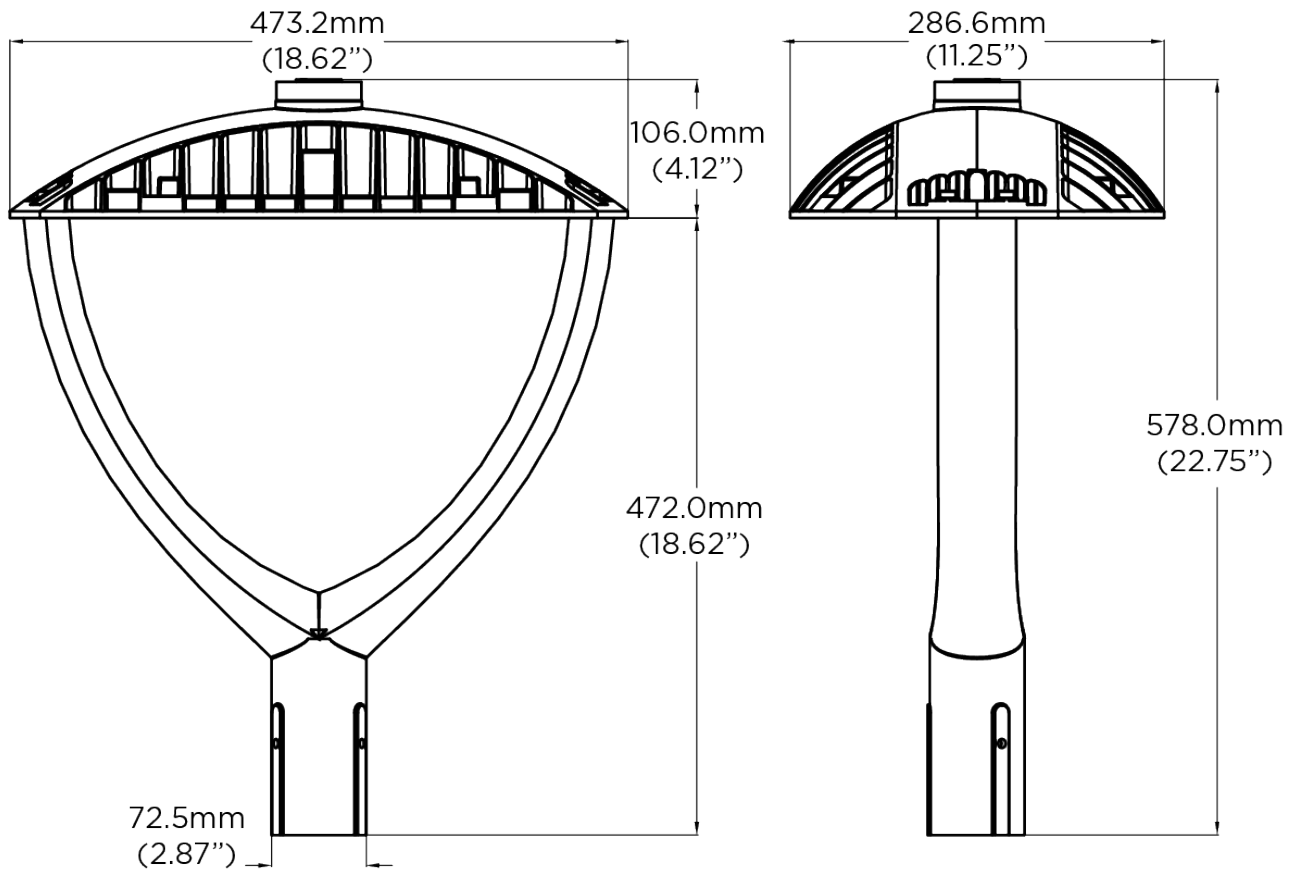
Box Weight: 9.2 kg

Box Quantity: 1

Box Dimensions (L-W-H): 520 x 500 x 220 mm

LINE DRAWING

Line Drawings





Project:	
Location:	
Model#: ARPT805KT5-UNV-BZ	Type:
Client:	Qty:
Prepared by:	Date:

SERIES ARCHITECTURE

Series Architecture

Part	Wattage	CCT	Mounting	Optics	Voltage	Finish	Accessories
ARPT	40 40W	30K 3000K	Blank 2-3/8" O.D. Tennon	T2 Type II	UNV 120-277VAC	BZ Bronze	O Occupancy Sensor
	80 80W	40K 4000K		T2H Type II with House Side Shield	UN4 347VAC	BK Black	AR-N3PC-UNV 120VAC Photo control
		50K 5000K		T3 Type III		WH White	AR-N3PC-UN4 347VAC Photo control
	AM Amber	T3H Type III with House Side Shield		CC Custom	FSIR-100	Programming remote, sold seperately	
		T4 Type IV					
		T4H Type IV with House Side Shield					
		T5 Type V					
		T5H Type V with House Side Shield					

Optional Extras: AR-N3PC-UNV