

Project:	
Location:	
Model#: ARPT403KT2H-UN4-BZ	Type:
Client:	Qty:
Prepared by:	Date:

## SERIES SPECIFICATIONS

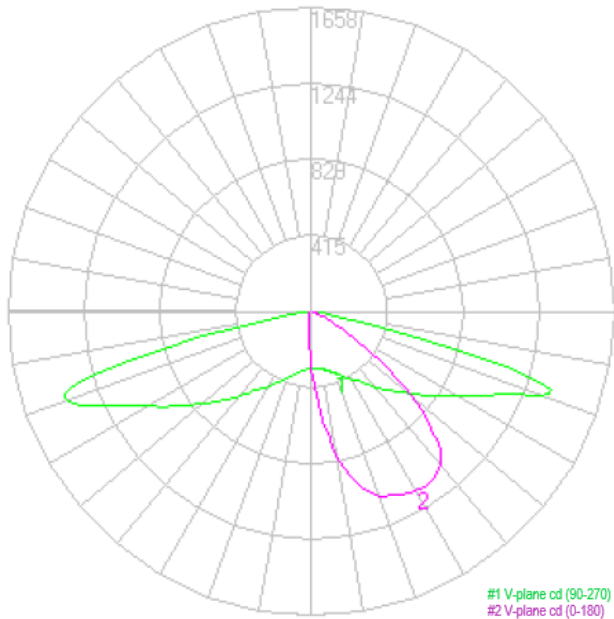


To supply TamLite ARPT Series of LED fixtures as specified. The luminaire shall operate at 347Vac and use a 1-10Vdc, (10% Min Light Level) dimmable, constant current type Inventronics® driver. The housing shall be constructed of ADC12 Aluminium with a Powder Coated. All hardware to be stainless steel. Bottom access wiring compartment to be hinged and sealed with a durable foamed gasket. Fixtures to come standard with a NEMA7 style twist lock socket and shorting cap. Optics to be constructed of PMMA be sealed via captive gasket and complete with a Clear Optics LED's shall be as specified Nichia® NVSW219 with a 3 SDCM colour tolerance. Fixture shall be UL Safety US-CA listed.

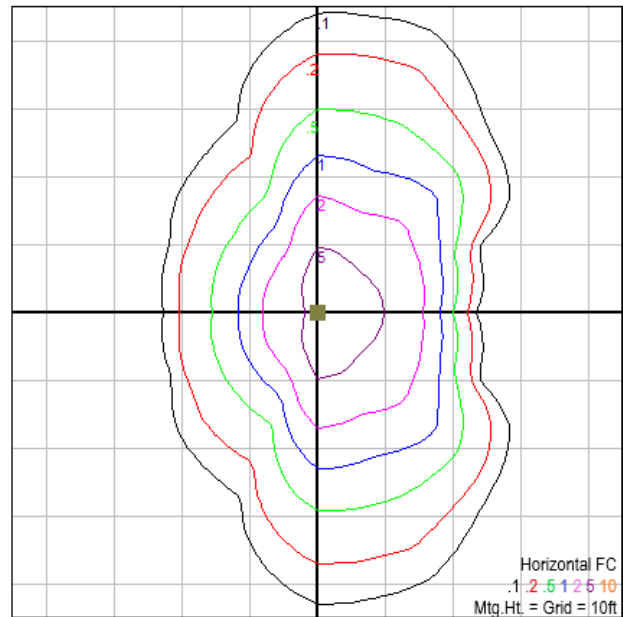


## PERFORMANCE SPECIFICATIONS

Luminance Distribution Chart



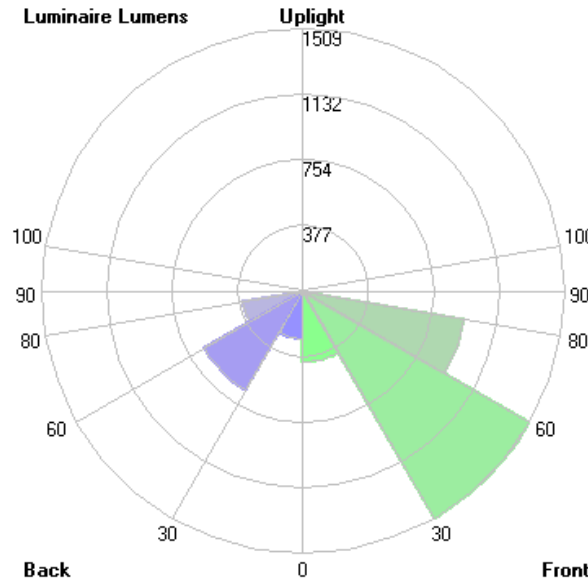
Isolux Diagram





Project:	
Location:	
Model#: ARPT403KT2H-UN4-BZ	Type:
Client:	Qty:
Prepared by:	Date:

**BUG Graph**



**Lum. Classification System (LCS)**

LCS Zone	Lumens	%Lum
FL (0-30)	408.5	9.8
FM (30-60)	1508.9	36.1
FH (60-80)	943.3	22.6
FVH (80-90)	24.2	0.6
BL (0-30)	274.6	6.6
BM (30-60)	656.1	15.7
BH (60-80)	354.3	8.5
BVH (80-90)	10.8	0.3
UL (90-100)	0.0	0.0
UH (100-180)	0.0	0.0
<b>Total</b>	<b>4180.7</b>	<b>100.0</b>

**BUG Rating B1-U0-G1**

**Initial Lumen Output:** 3887lm  
**Environmental Rating(s):** IP66  
**Certification Standards:** UL Safety US-CA

**Efficacy:** 108lm/W  
**UL Classification:** Wet Location Listed  
**CCN Number:** IFAM7.E359675

**Luminaire Type:** Type II-H - Medium  
**Ambient Operating Temp:** -40C to +40C  
**Limited Product Warranty:** 10 Year(s)

<b>Project:</b>	
<b>Location:</b>	
<b>Model#:</b> ARPT403KT2H-UN4-BZ	<b>Type:</b>
<b>Client:</b>	<b>Qty:</b>
<b>Prepared by:</b>	<b>Date:</b>

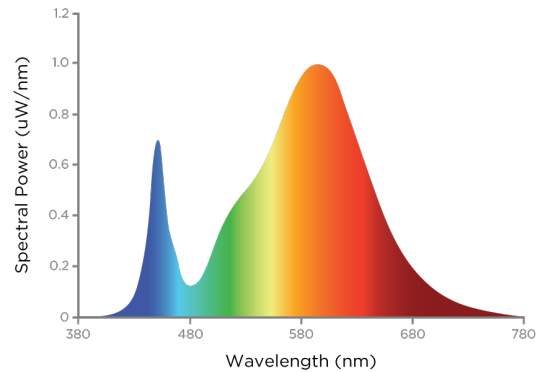
**LED SPECIFICATIONS**

**R Tables**

<b>R1</b>	73
<b>R2</b>	77
<b>R3</b>	80
<b>R4</b>	76
<b>R5</b>	74
<b>R6</b>	70
<b>R7</b>	80
<b>R8</b>	61

<b>R9</b>	0
<b>R10</b>	46
<b>R11</b>	76
<b>R12</b>	50
<b>R13</b>	73
<b>R14</b>	89
<b>R15</b>	67
<b>--</b>	<b>--</b>

**SPD**



**Source Type:** LED  
**CRI:** >70  
**Chromaticity:** x=0.4338 y=0.4030

**Manufacturer:** Nichia®  
**L70:** 60000 Hrs.  
**Colour Tolerance:** 3 SDCM

**Part Number:** NVSW219  
**Colour Temperature:** 3000K

**ELECTRICAL SPECIFICATIONS**

**Driver Manufacturer:** Inventronics®  
**Input Frequency:** 50/60 hz  
**Inrush Current:** 0.32 A2S  
**Power Factor at 347Vac:** > 0.90  
**Driver MTBF:** 87,000 hrs  
**Dimming:** 1-10Vdc, (10% Min Light Level)  
**Short Circuit Protection:** Auto recovery.  
 The output shall return to normal when the fault condition is removed.

**Driver Part Number:** LTC-040S070DSP  
**Fixture Draw:** 35.51W  
**Max On-Delay:** < 1 S  
**THD at 277Vac(%):** < 10%  
**Max Operating Case Temperature:** 90C  
**Dimming Current mA:** 0.2  
**Driver Certifications:** c-RU-us Class 2, FCC Part 15 Class B, RoHS

**Input Voltage:** 347Vac  
**Current Draw at 347Vac:** 0.1029  
**Auxiliary Control:** 12 Vdc  
**THD at 347Vac(%):** < 15%  
**Surge Suppression:** 10kV  
**Over Temperature Protection:** Auto recovery. Current returns to normal after over temperature is removed.

**PHYSICAL SPECIFICATIONS**

**Finish Colour:** Bronze (RAL-8019)  
**Mounting:** 2.375" O.D. Top Tenon  
**Lens Type:** Clear Optics

**Finish Type:** Powder Coated  
**Housing Material:** ADC12 Aluminium  
**Entries:** Gasketed Wire Entry

**Wiring:** Internal Junction  
**Lens Material:** PMMA

Project:	
Location:	
Model#: ARPT403KT2H-UN4-BZ	Type:
Client:	Qty:
Prepared by:	Date:

SHIPPING INFORMATION

OrderingCode(s): ARPT4030KT2H-UN4-BZ

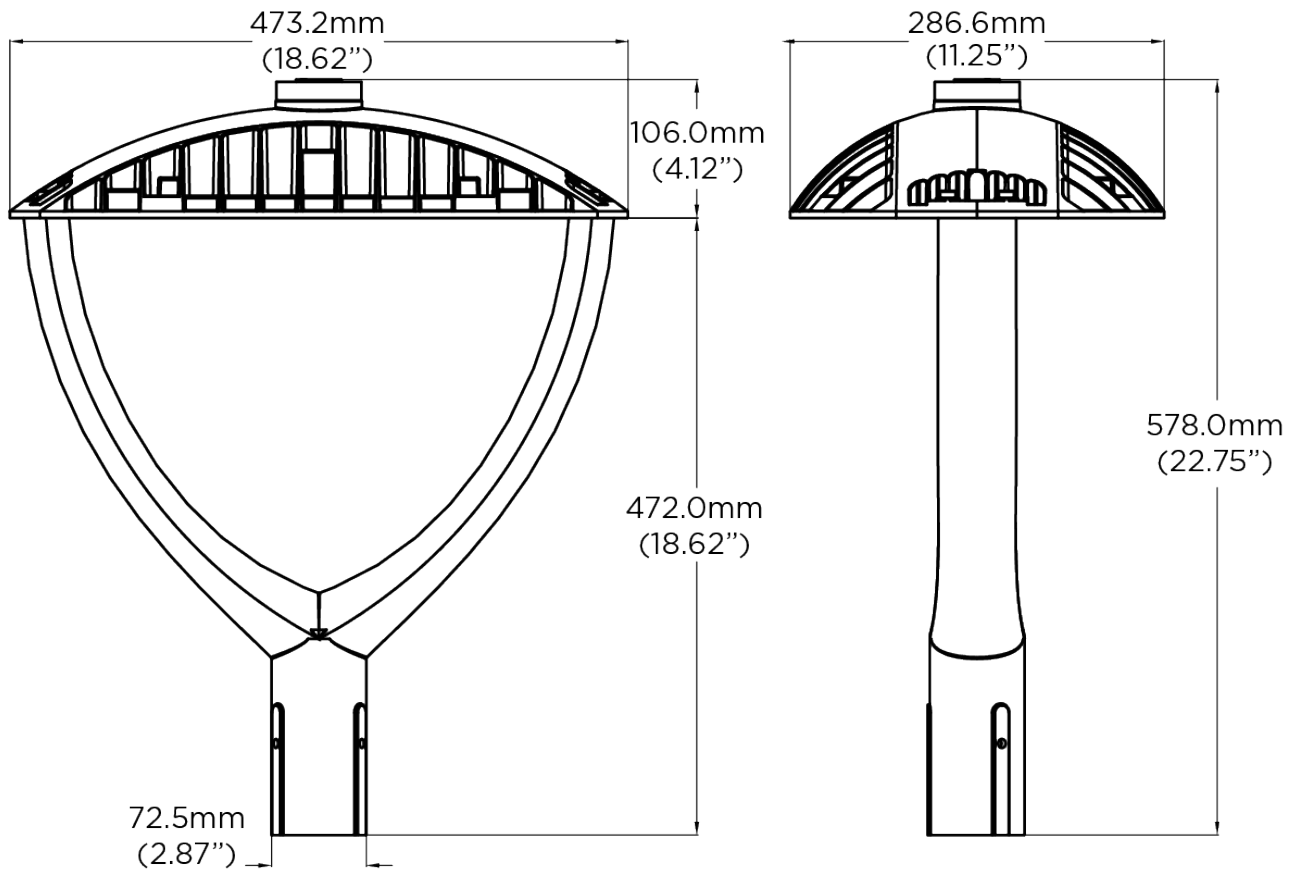
Box Weight: 8.8 kg

Box Quantity: 1

Box Dimensions (L-W-H): 520 x 500 x 220 mm

LINE DRAWING

Line Drawings





Project:	
Location:	
Model#: ARPT403KT2H-UN4-BZ	Type:
Client:	Qty:
Prepared by:	Date:

**SERIES ARCHITECTURE**

**Series Architecture**

Part	Wattage	CCT	Mounting	Optics	Voltage	Finish	Accessories
ARPT	40 40W	30K 3000K	Blank 2-3/8" O.D. Tennon	T2 Type II	UNV 120-277VAC	BZ Bronze	O Occupancy Sensor
	80 80W	40K 4000K		T2H Type II with House Side Shield	UN4 347VAC	BK Black	AR-N3PC-UNV 120VAC Photo control
		50K 5000K		T3 Type III		WH White	AR-N3PC-UN4 347VAC Photo control
		AM Amber		T3H Type III with House Side Shield		CC Custom	FSIR-100 Programming remote, sold seperately
				T4 Type IV			
				T4H Type IV with House Side Shield			
				T5 Type V			
		T5H Type V with House Side Shield					

**Optional Extras:** AR-N3PC-UN4