

Project:	
Location:	
Model#: TLASD403K-UNV-BZ	Type:
Client:	Qty:
Prepared by:	Date:

SERIES SPECIFICATIONS

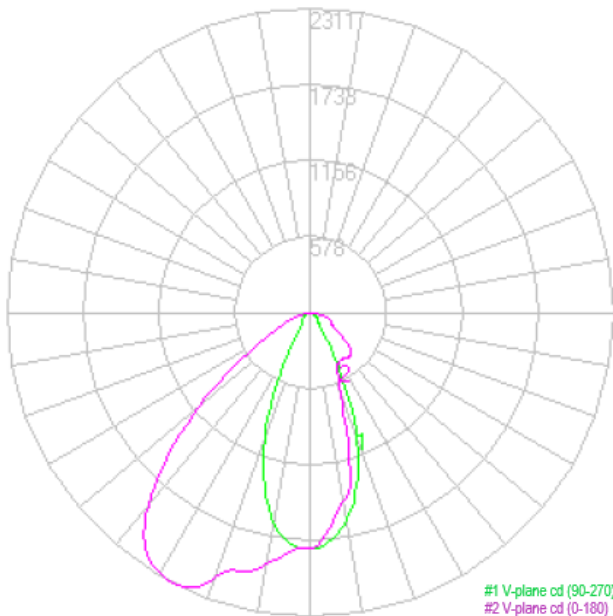


To supply Tamlite TLASD Series of Adjustable Wall Washing Sconce as specified. The Luminaire shall point down and have no up light. The optical assembly shall be manually adjustable for 25 to 60 degrees. The luminaire shall operate at 120-277Vac and use a CREE® Approved Driver. The housing shall be constructed of powder coated die-cast Aluminium with a gasketed acrylic lens. A durable formed gasket shall be provided between the enclosure and the lens. All parts shall be corrosion resistant. The LEDs shall be supplied with the luminaire. The fixture shall be cULus Listed

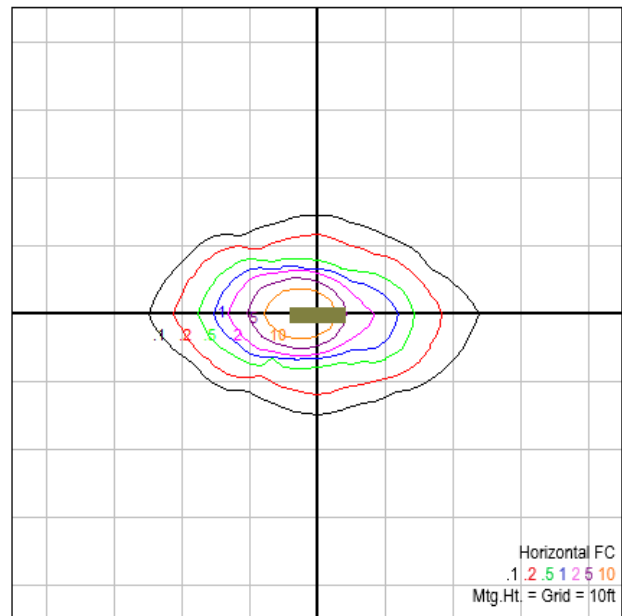


PERFORMANCE SPECIFICATIONS

Luminance Distribution Chart



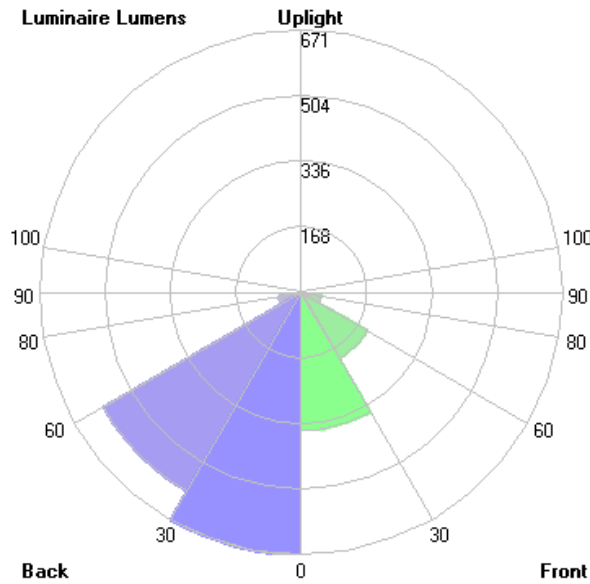
Isolux Diagram





Project:	
Location:	
Model#: TLASD403K-UNV-BZ	Type:
Client:	Qty:
Prepared by:	Date:

BUG Graph



Lum. Classification System (LCS)

LCS Zone	Lumens	%Lum
FL (0-30)	353.0	18.3
FM (30-60)	195.6	10.2
FH (60-80)	52.0	2.7
FVH (80-90)	2.7	0.1
BL (0-30)	671.4	34.9
BM (30-60)	588.3	30.6
BH (60-80)	58.7	3.0
BVH (80-90)	3.4	0.2
UL (90-100)	< 0.05	0.0
UH (100-180)	0.1	0.0
Total	1925.2	100.0
BUG Rating	B2-U1-G0	

Initial Lumen Output: 1946lm

Beam Angle: Manually Adjustable from 20-60 deg

UL Classification: Wet Location Listed

CCN Number: IFAM7.E359675

Efficacy: 71.96lm/W

BUG Rating: B2-U1-G0

Ambient Operating Temp: -25C to +40C

Limited Product Warranty: 5 Year(s)

Max Candela: 2311cd (180 h, 27V)

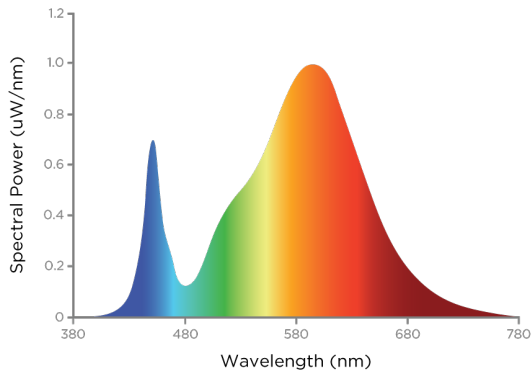
Environmental Rating(s): IP65

Certification Standards: UL Safety US-CA

Project:	
Location:	
Model#: TLASD403K-UNV-BZ	Type:
Client:	Qty:
Prepared by:	Date:

LED SPECIFICATIONS

SPD



Source Type: LED

CRI: >70

Chromaticity: x=0.4369 y=0.4041

Manufacturer: Cree®

L70: 54000 Hrs.

Colour Tolerance: 5 SDCM

Part Number: CXB3050 (COB)

Colour Temperature: 3000K

Duv: 0.0005

ELECTRICAL SPECIFICATIONS

Driver Manufacturer: Inventronics®

Input Frequency: 50/60 hz

Current Draw at 277Vac: 0.0995

Power Factor at 120Vac: 0.96

Driver MTBF: 116,000 hrs

Over Temperature Protection: Auto

Recovery. Returning to normal after over temperature is removed.

Driver Part Number: EUC-042SxxxDS(PS)

Fixture Draw: 27.05W

Inrush Current: 0.32A2S

Power Factor at 277Vac: 0.95

Max Operating Case Temperature: 70C

Short Circuit Protection: Auto Recovery.

The power supply shall self-recover when the fault condition is removed.

Input Voltage: 120-277Vac

Current Draw at 120Vac: 0.2298

Max On-Delay: < 1 S

THD at 120Vac(%): < 15%

Dimming: 0-10Vdc, (0% Min Light Level)

Driver Certifications: c-RU-us Class 2,

FCC Part 15 Class B, RoHS

PHYSICAL SPECIFICATIONS

Finish Colour: Bronze (RAL-8019)

Housing Material: ADC12 Aluminium

Entries: 4 x ½" coin plugs, Rear Box Entry

Finish Type: Textured powder coat over

chromate conversion coat

Lens Material: PMMA

Mounting: Wall Mount

Lens Type: Clear

Project:	
Location:	
Model#: TLASD403K-UNV-BZ	Type:
Client:	Qty:
Prepared by:	Date:

SHIPPING INFORMATION

OrderingCode(s): TLASD405K-UNV-BZ

Carton Quantity: 4

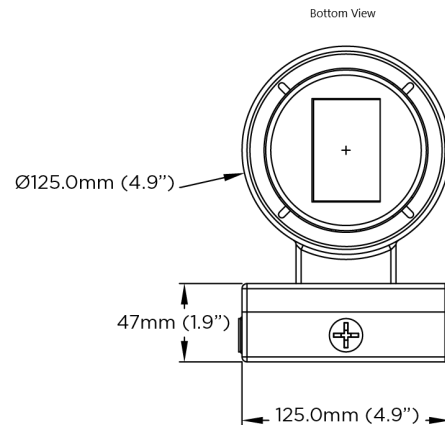
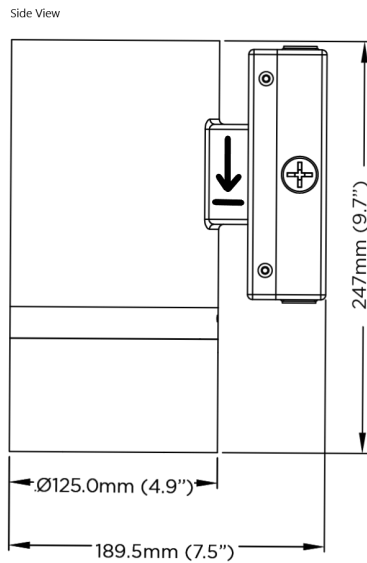
Box Quantity: 1

Carton Dimensions (L-W-H): 555 x 345 x 405 mm

Box Dimensions (L-W-H): 325 x 265 x 190 mm

LINE DRAWING

Line Drawings





Project:	
Location:	
Model#: TLASD403K-UNV-BZ	Type:
Client:	Qty:
Prepared by:	Date:

SERIES ARCHITECTURE

Series Architecture

TALS - - - - -

Part	Optics	Wattage		CCT		Mounting		Voltage		Finish	
TLAS	U Up-Down	40	27W	3K	3000K	Blank	Wall Surface	UNV	120-277VAC	BZ	Bronze
	D Down			4K	4000K			347	347VAC	BK	Black
				5K	5000K					WH	White
										CC	Custom