



Project:	
Location:	
Model#: BLP14-WS-3CS-WRV	Type:
Client:	Qty:
Prepared by:	Date:

**SERIES SPECIFICATIONS**

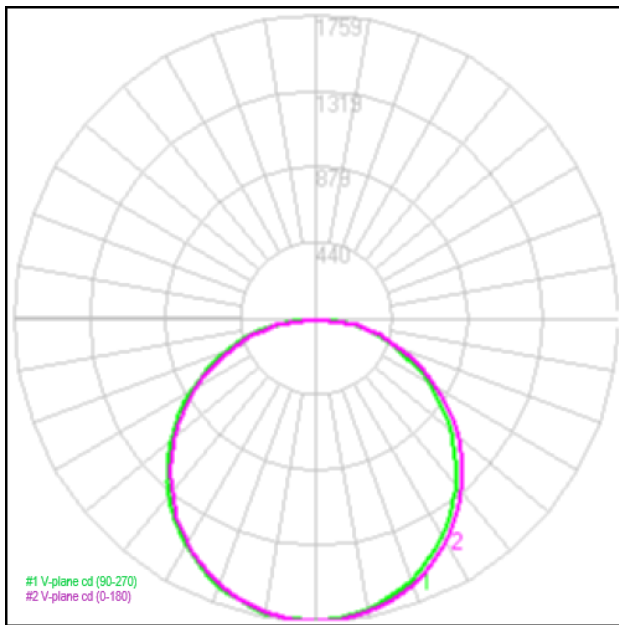


Discover the superior functionality and sleek design of the Tamlite Lighting BLP-3CS-WRV Series. Ideal for both commercial and residential settings, this LED panel offers adjustable color temperatures (3500K, 4000K, 5000K) and wattage settings, ensuring optimal energy efficiency and ambiance customization. With features like emergency backup and easy installation, this durable and lightweight lighting solution enhances any space with consistent, high-performance illumination. Its versatility and 120-347 voltage compatibility make it a top choice for upgrading or installing new lighting systems.

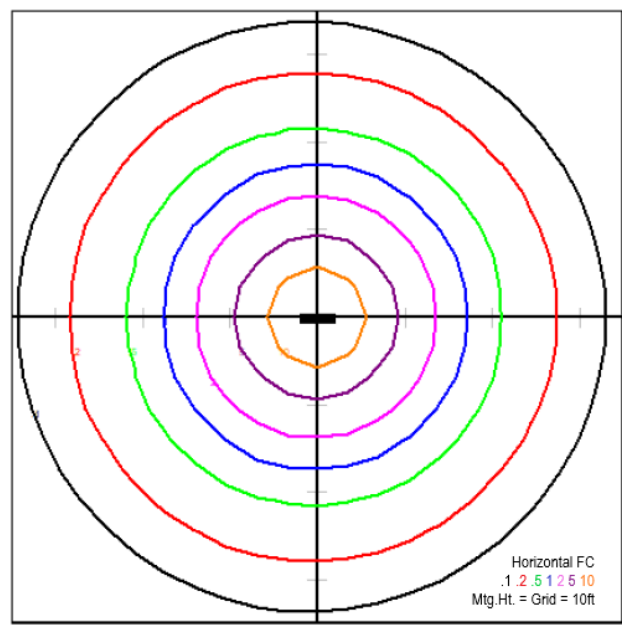


**PERFORMANCE SPECIFICATIONS**

**Luminance Distribution Chart**



**Isolux Diagram**





Project:	
Location:	
Model#: BLP14-WS-3CS-WRV	Type:
Client:	Qty:
Prepared by:	Date:

**Zonal Lumen Summary**

Zone	Lumens	Zone	Lumens	Zone	Lumens	Zone	Lumens	Zone	Lumens	Zone	Lumens
0-10	165.99	30-40	878.09	60-70	657.08	90-100	0	120-130	0	150-160	0
10-20	476.33	40-50	917.51	70-80	407.63	100-110	0	130-140	0	160-170	0
20-30	724.41	50-60	838.88	80-90	94.13	110-120	0	140-150	0	170-180	0

Total Initial Lumen Output; 5160.05 lm

**Co-efficient of Utilization**

RC	80				70				50			30			10			0
	70	50	30	10	70	50	30	10	50	30	10	50	30	10	50	30	10	0
0	119	119	119	119	116	116	116	116	111	111	111	106	106	106	102	102	102	100
1	109	104	99	95	106	101	97	94	97	94	91	93	90	88	90	87	85	83
2	98	90	83	77	96	88	82	76	84	79	74	81	77	73	78	74	71	69
3	90	79	70	64	87	77	69	63	74	68	62	71	66	61	69	64	60	58
4	82	70	61	54	80	68	60	53	66	58	53	63	57	52	61	56	51	49
5	75	62	53	46	73	61	52	46	59	51	45	57	50	45	55	49	44	42
6	69	56	47	40	67	55	46	40	53	45	40	51	45	39	50	44	39	37
7	64	51	42	35	63	50	41	35	48	41	35	47	40	35	45	39	35	33
8	60	46	38	32	58	45	37	31	44	37	31	43	36	31	42	35	31	29
9	56	42	34	28	54	42	34	28	41	33	28	39	33	28	38	32	28	26
10	52	39	31	26	51	38	31	26	37	30	26	37	30	25	36	30	25	24

Initial Lumen Output: 5158 lm @4000K  
 CBCP: 1759 cd @4000K  
 Luminaire Type: Direct - Recessed  
 UL Classification: Dry Location  
 Certification Standards: ETL DLC 5.1 Standard

Efficacy: 141 lm/W  
 Beam Angle: 110°  
 Spacing Criteria: (0-180) 1.24 / (90-270) 1.28  
 Fire Rating: UL94-HB  
 DLC Number: In Process

Max Candela: 1759 cd @4000K  
 Field Angle: 110°  
 Environmental Rating(s): IP20  
 Ambient Operating Temp: 45°C  
 Limited Product Warranty: 5 years



Project:	
Location:	
Model#: BLP14-WS-3CS-WRV	Type:
Client:	Qty:
Prepared by:	Date:

**LED SPECIFICATIONS**

**R Tables**

<b>R1</b>	<b>84</b>
<b>R2</b>	<b>91</b>
<b>R3</b>	<b>95</b>
<b>R4</b>	<b>84</b>
<b>R5</b>	<b>84</b>
<b>R6</b>	<b>87</b>
<b>R7</b>	<b>86</b>
<b>R8</b>	<b>67</b>

<b>R9</b>	<b>14</b>
<b>R10</b>	<b>78</b>
<b>R11</b>	<b>84</b>
<b>R12</b>	<b>62</b>
<b>R13</b>	<b>86</b>
<b>R14</b>	<b>97</b>
<b>R15</b>	<b>78</b>
<b>Ra</b>	<b>84.7</b>

**Source Type:** 2835  
**Rf:** 84  
**Colour Temperature:** 35/40/50K  
**Duv:** 0.0011

**Manufacturer:** Bridgelux  
**Rg:** 96  
**Chromaticity:** X=0.3818; Y=0.3798 @ 4000K

**CRI:** 80  
**L70:** >54,000 Hrs  
**Colour Tolerance:** 3500±180K 5029±220K

**ELECTRICAL SPECIFICATIONS**

**Input Voltage:** 120-347Vac  
**Current Draw at 277Vac:** 0.158A  
**Max On-Delay:** < 1S  
**Power Factor at 347Vac:** 0.009  
**THD at 347Vac(%):** 20  
**Dimming:** 0-10V  
**Short Circuit Protection:** Output Short Circuit Protection

**Input Frequency:** 50HZ/60HZ  
**Current Draw at 347Vac:** 0.127A  
**Power Factor at 120Vac:** 0.009  
**THD at 120Vac(%):** 20  
**Max Operating Case Temperature:** 45°C  
**Dimming Current mA:** 0.4mA

**Current Draw at 120Vac:** 0.366A  
**Inrush Current:** ?50A2S  
**Power Factor at 277Vac:** 0.009  
**THD at 277Vac(%):** 20  
**Surge Suppression:** DM=1KV/CM=2KV  
**Over Temperature Protection:** IC Over Temperature Protection

Project:	
Location:	
Model#: BLP14-WS-3CS-WRV	Type:
Client:	Qty:
Prepared by:	Date:

**PHYSICAL SPECIFICATIONS**

Finish Colour: White  
 Housing Material: Aluminum  
 Reflector Material: PET

Wiring: AC solution  
 Lens Material: PMMA

Mounting: Recessed  
 Lens Type: Opaque

**SHIPPING INFORMATION**

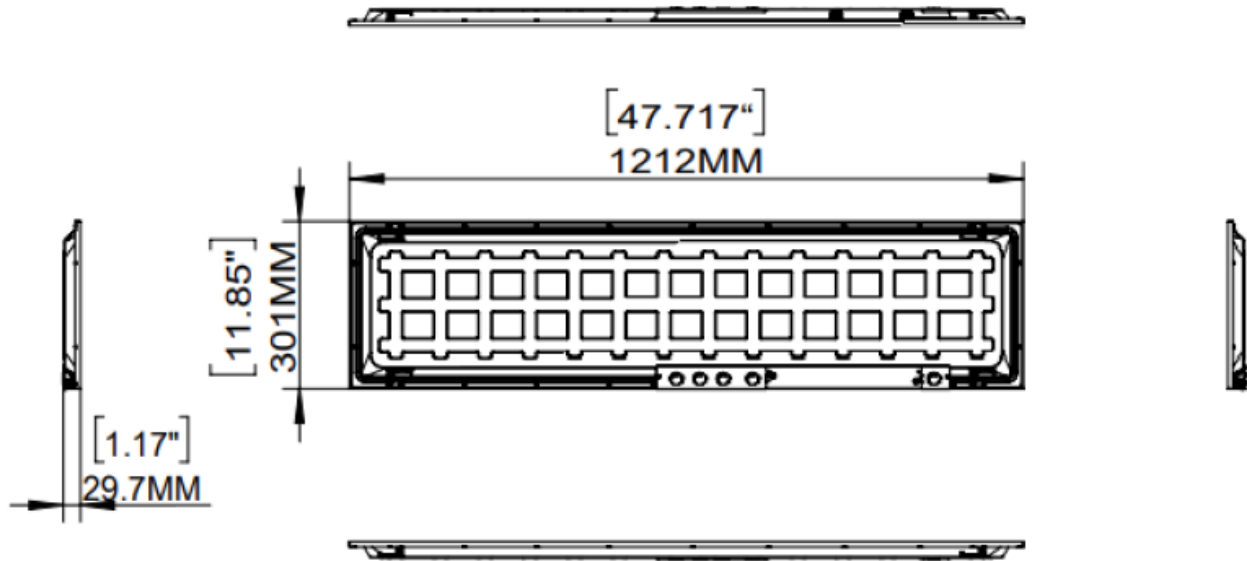
OrderingCode(s): BLP14-WS-3CS-WRV  
 Box Weight: 0.000Kg / 0.000Lbs  
 Carton Weight: 10.47lbs

Box Quantity: 2  
 Carton Quantity: 8

Box Dimensions (L-W-H): 495.0 x 340.0 x 180.0 mm / 19.488 x 13.386 x 7.087 in.  
 Carton Dimensions (I-W-H): 49.09"x2.95"x13.46"

**LINE DRAWING**

Line Drawings





Project:	
Location:	
Model#: BLP14-WS-3CS-WRV	Type:
Client:	Qty:
Prepared by:	Date:

**SERIES ARCHITECTURE**

**Series Architecture**

BLP		14		WS		3CS				WRV			
Part	Size	Wattage *		CCT		Mounting		Voltage		Options			
BLP	14 22 24	1x4ft 2x2ft 2x4ft	WS		3CS		Selectable White (3500K,4000K,5000K)		Blank Recessed T-Bar		WRV 120-347VAC Blank EM No Options Emergency Driver		

1X4	30W	35W	40W
3500K	3870 lm	4371 lm	4844 lm
4000K	4068 lm	4621 lm	5160 lm
5000K	3962 lm	4503 lm	5059 lm

2X2	30W	35W	40W
3500K	3745 lm	4279 lm	4720 lm
4000K	3947 lm	4537 lm	5030 lm
5000K	3958 lm	4409 lm	4922 lm

2X4	30W	40W	50W
3500K	3866 lm	4932 lm	6030 lm
4000K	4060 lm	5183 lm	6392 lm
5000K	4030 lm	5090 lm	6309 lm

**Optional Extras:** BLP14-DFK, BLP14-SMK, TLP14-SPK