

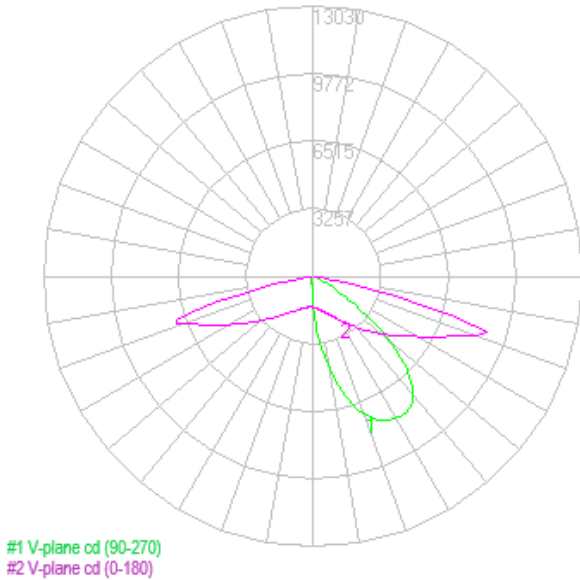
Project:	
Location:	
Model#: ARPS1853K3RT2H-UN4-BZ	Type:
Client:	Qty:
Prepared by:	Date:

SERIES SPECIFICATIONS

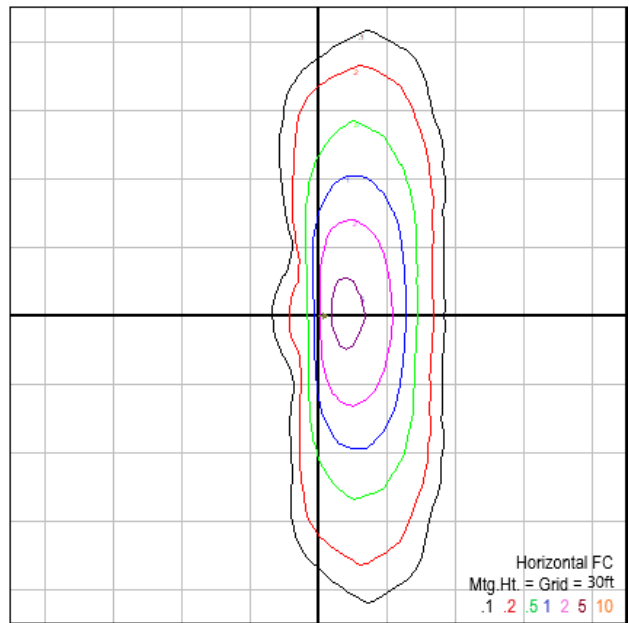
To supply TamLite ARPS Series of LED fixtures as specified. The luminaire shall operate at 347Vac and use a 1-10Vdc, (10% Min Light Level) dimmable, constant current type Inventronics® driver. The housing shall be constructed of ADC12 aluminium with a Textured powder coat over chromate conversion coat. All hardware to be stainless steel. Bottom access wiring compartment to be hinged and sealed with a durable foamed gasket. Fixtures to come standard with a NEMA7 style twist lock socket and shorting cap. Optics to be constructed of PMMA be sealed via captive gasket and complete with a clear optics LED's shall be as specified Nichia® NVSW219 with a 3 SDCM colour tolerance. Fixture shall be UL Safety US-CA listed.

PERFORMANCE SPECIFICATIONS

Luminance Distribution Chart



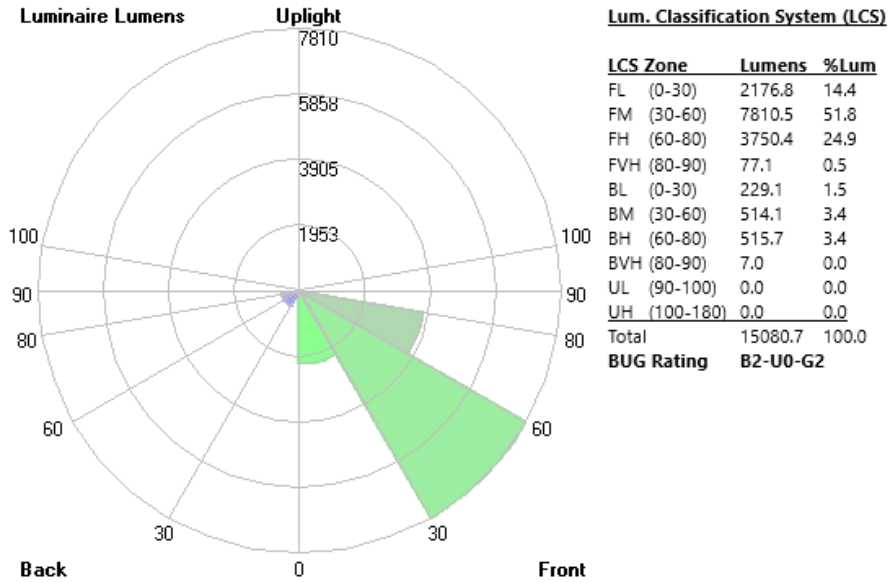
Isolux Diagram





Project:	
Location:	
Model#: ARPS1853K3RT2H-UN4-BZ	Type:
Client:	Qty:
Prepared by:	Date:

BUG Graph



Initial Lumen Output: 15081lm

Luminaire Type: Type II-H - Medium

UL Classification: Wet Location Listed

CCN Number: IFAM7.E359675

Efficacy: 80lm/W

BUG Rating: B2-U0-G2

Ambient Operating Temp: -40C to +40C

Limited Product Warranty: 10 Year(s)

Max Candela: 13029cd (80 h, 72V)

Environmental Rating(s): IP66

Certification Standards: UL Safety US-CA

Project:	
Location:	
Model#: ARPS1853K3RT2H-UN4-BZ	Type:
Client:	Qty:
Prepared by:	Date:

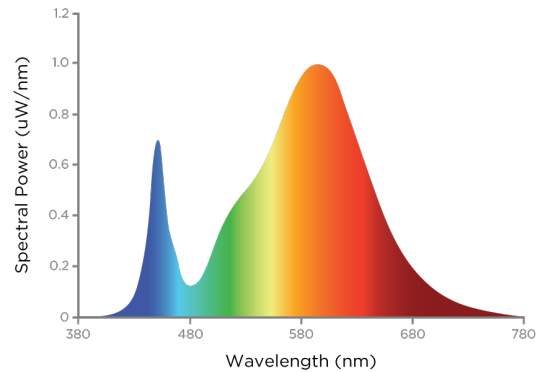
LED SPECIFICATIONS

R Tables

R1	73
R2	77
R3	80
R4	76
R5	74
R6	70
R7	80
R8	61

R9	0
R10	46
R11	76
R12	50
R13	73
R14	89
R15	67
--	--

SPD



Source Type: LED
CRI: >70
Chromaticity: x=0.4338 y=0.4030

Manufacturer: Nichia®
L70: 60000 Hrs.
Colour Tolerance: 3 SDCM

Part Number: NVSW219
Colour Temperature: 3000K
Duv: 0.006

ELECTRICAL SPECIFICATIONS

Driver Manufacturer: Inventronics®
Input Frequency: 50/60 hz
Inrush Current: 1.3 A2S
Power Factor at 347Vac: > 0.90
Max Operating Case Temperature: 90C
Dimming Current mA: .45mA
Driver Certifications: c-RU-us Class 2, FCC Part 15 Class B, RoHS

Driver Part Number: ESD-240SxxxDT
Fixture Draw: 194.3W
Max On-Delay: < 1.5 S
THD at 347Vac(%): < 10%
Surge Suppression: 10kV
Over Temperature Protection: Auto recovery. Current returns to normal after over temperature is removed.

Input Voltage: 347Vac
Current Draw at 347Vac: 0.5599
Auxiliary Control: 12 Vdc
Driver MTBF: 209,000 hrs
Dimming: 1-10Vdc, (10% Min Light Level)
Short Circuit Protection: Auto recovery. The output shall return to normal when the fault condition is removed.

PHYSICAL SPECIFICATIONS

Finish Colour: Bronze (RAL-8019)
Mounting: 3" round pole
Lens Type: clear optics
Entries: gasketed wire entry

Finish Type: Textured powder coat over chromate conversion coat
Housing Material: ADC12 aluminium
Weight: 8.1 kg

Wiring: internal junction
Lens Material: PMMA
EPA: 0.1932

Project:	
Location:	
Model#: ARPS1853K3RT2H-UN4-BZ	Type:
Client:	Qty:
Prepared by:	Date:

SHIPPING INFORMATION

OrderingCode(s): ARPS1853KT2H-UN4-BZ, AR-PSSQ-BZ, AR-PS3R-BZ

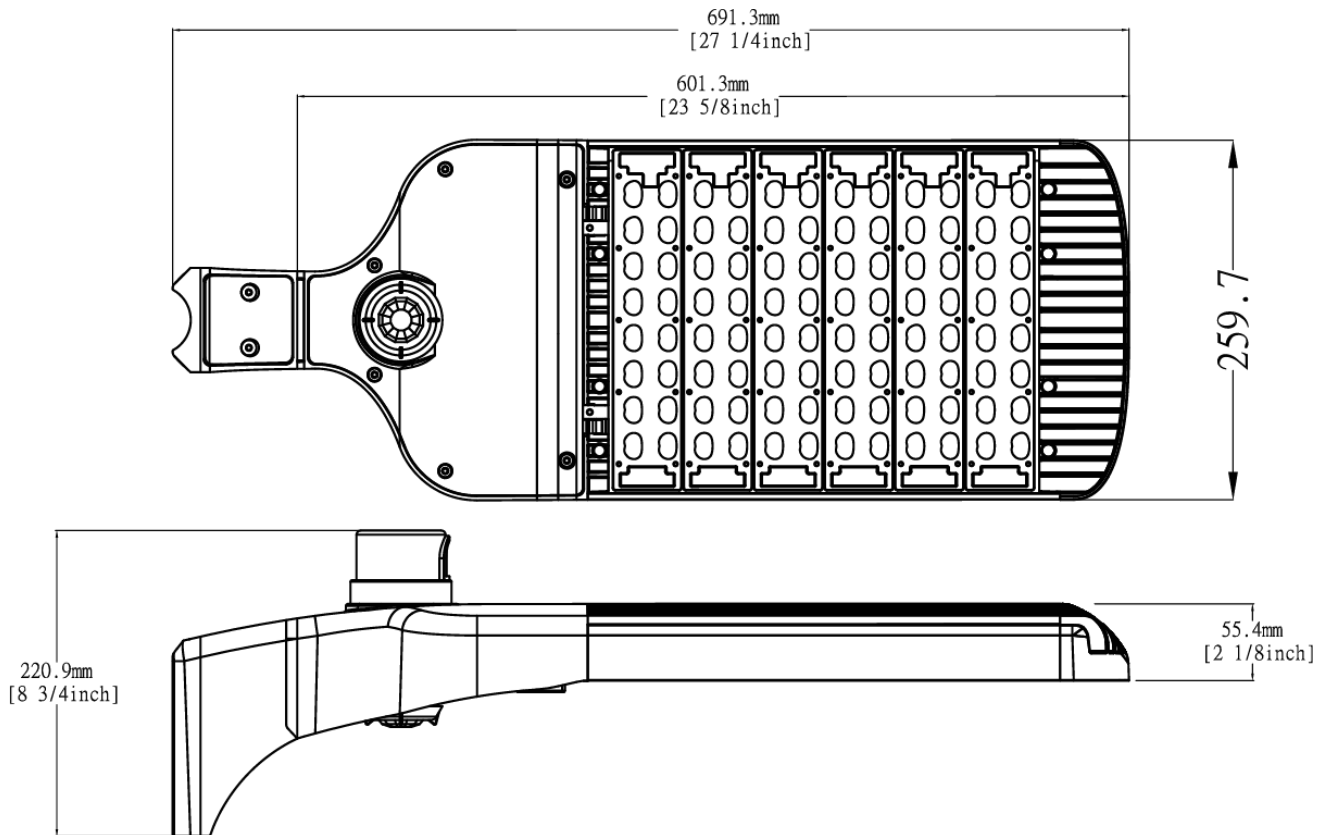
Box Weight: 8.1 kg

Box Quantity: 1

Box Dimensions (L-W-H): 695 x 340 x 180 mm

LINE DRAWING

Line Drawings





Project:	
Location:	
Model#: ARPS1853K3RT2H-UN4-BZ	Type:
Client:	Qty:
Prepared by:	Date:

SERIES ARCHITECTURE

Series Architecture

ARPS

Part	Wattage		CCT		Mounting		Optics		Voltage		Finish		Accessories	
ARPS	35	35W	30K	3000K	SQ	SQ Pole Mount	T2	Type II	UNV	120-277VAC	BZ	Bronze	[blank]	None
	75	75W	40K	4000K	3R	3" RD Pole	T2H	with House Side Shield	UN4	347VAC	BK	Black	O	Occupancy Sensor
	140	140W	50K	5000K	4R	4" RD Pole	T3	Type III	WRV	120-347VAC	WH	White	AR-N3PC-UNV	120VAC Photo control
	185	185W	AM	Amber	5R	5" RD Pole	T3H	with House Side Shield					CC	Custom
					SF	Slip Fitter	T4	Type IV						AR-SPIKE
						T4H	with House Side Shield						FSIR-100	Programming remote, sold separately
						T5	Type V							
						T5H	with House Side Shield							

Optional Extras: AR-SPIKE, AR-N3PC-UN4