



Project:	
Location:	
Model#: BLST1-WS-3CS-BZK (Adj. 20D)	Type:
Client:	Qty:
Prepared by:	Date:

SERIES SPECIFICATIONS

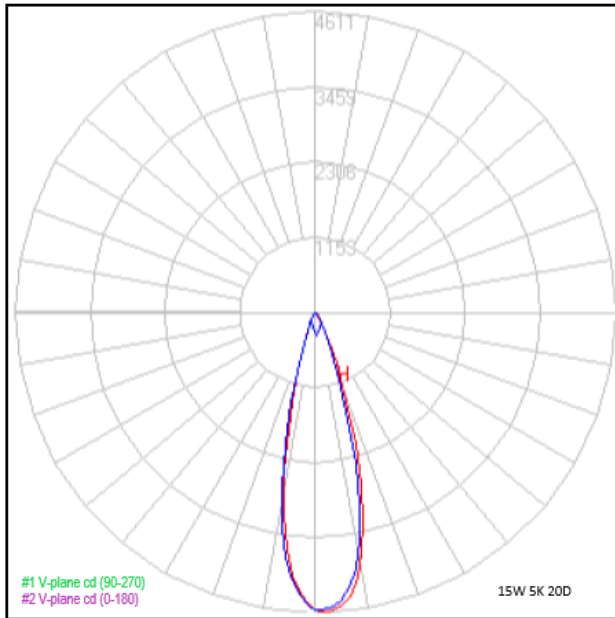


The BLST1-WS-3CS-BZK 15W Bullet Flood is a top-tier LED spotlight, perfect for a variety of outdoor settings. With its selectable 15W wattage and impressive 1400 lumens output, this spotlight ensures brilliant illumination for landscapes, signage, and architectural features. Its robust bronze finish and knuckle mount design allow for precise directional lighting, making it a versatile and energy-efficient choice for many applications.

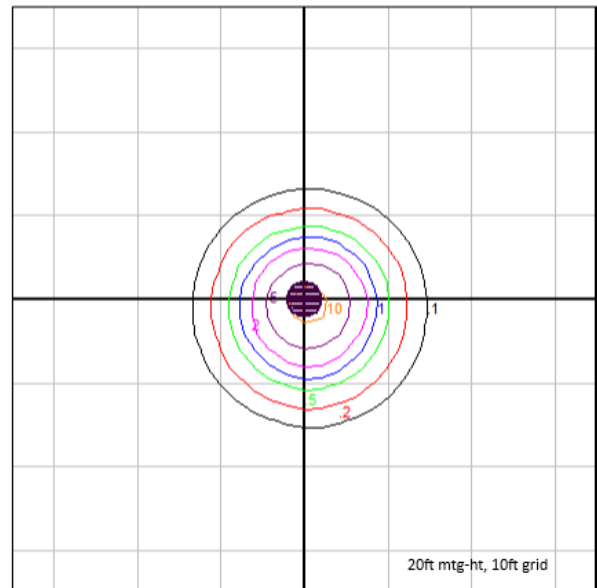


PERFORMANCE SPECIFICATIONS

Luminance Distribution Chart



Isolux Diagram



**Initial Lumen Output:** 1,400 lm  
**NEMA Type:** 4H x 3W  
**Luminaire Type:** Flood Light  
**Ambient Operating Temp:** -40°C ~ 40°C / -40°F ~ +104°F  
**Limited Product Warranty:** 5 years

**Efficacy:** 95lm/w  
**Beam Angle:** 020°  
**Environmental Rating(s):** IP65  
**Certification Standards:** c-UL-us

**CBCP:** 4,611 CD  
**Field Angle:** 045°  
**UL Classification:** Wet Location  
**CCN Number:** IFAM-7



Project:	
Location:	
Model#: BLST1-WS-3CS-BZK (Adj. 20D)	Type:
Client:	Qty:
Prepared by:	Date:

#### LED SPECIFICATIONS

**Source Type:** LED  
**Colour Temperature:** 3000K or 4000K or 5000K  
**Duv:** 0.000973

**CRI:** ?70  
**Chromaticity:** :x=0.3400 y=0.3494

**L70:** >50,000 Hrs  
**Colour Tolerance:** 5 SDCM

#### ELECTRICAL SPECIFICATIONS

**Input Voltage:** 120-277V  
**Current Draw at 120Vac:** 0.1488A  
**Max On-Delay:** ?750ms  
**THD at 120Vac(%):** ? 20%  
**Max Operating Case Temperature:** +50?  
**Short Circuit Protection:** YES

**Input Frequency:** 50/60Hz  
**Current Draw at 277Vac:** 0.05755A  
**Power Factor at 120Vac:** 99.8 %  
**THD at 277Vac(%):** ? 20%  
**Surge Suppression:** 2KV  
**Driver Certifications:** cURus

**Fixture Draw:** 0.2A Max  
**Inrush Current:** <50A  
**Power Factor at 277Vac:** 99.8 %  
**Driver MTBF:** 500,000 hours at 25? ambient temperature  
**Over Temperature Protection:** YES

#### PHOTOCELL SENSOR INFORMATION

**Sensor Type:** Integrate IC  
**Programming Type:** 5 FC

**Control Type:** On/Off

**Input Voltage:** 120/277 Vac

#### PHYSICAL SPECIFICATIONS

**Finish Colour:** Bronze  
**Mounting:** ½" Knuckle  
**Lens Type:** Adjustable Optics Lense

**Finish Type:** Powder Coat  
**Housing Material:** Cast Aluminium  
**Weight:** 0.275 Kg / 0.125 Lbs

**Wiring:** 15cm / 6 inch leads  
**Lens Material:** Polycarbonate (PC)

#### SHIPPING INFORMATION

**OrderingCode(s):** BLST1-WS-3CS-BZK

**Box Weight:** 0.275 Kg / 0.125 Lbs  
**Carton Weight:** 1.100 Kg / 0.499 Lbs

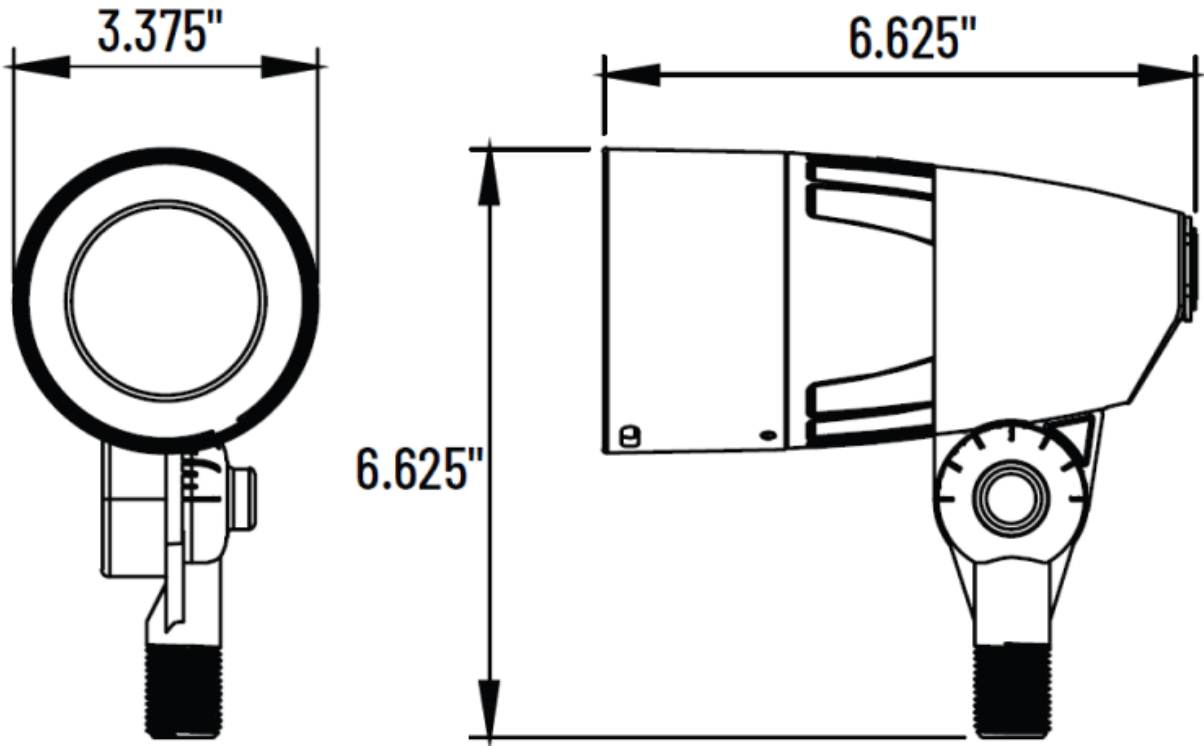
**Box Quantity:** 1  
**Carton Quantity:** 4

**Box Dimensions (L-W-H):** 215.0 x 132.0 x 94.0 mm / 8.465 x 5.197 x 3.701 in.  
**Carton Dimensions (I-W-H):** 280.0 x 232.0 x 204.0 mm / 8.465 x 5.197 x 3.701 in.

Project:	
Location:	
Model#: BLST1-WS-3CS-BZK (Adj. 20D)	Type:
Client:	Qty:
Prepared by:	Date:

LINE DRAWING

Line Drawings





Project:	
Location:	
Model#: BLST1-WS-3CS-BZK (Adj. 20D)	Type:
Client:	Qty:
Prepared by:	Date:

**SERIES ARCHITECTURE**

Series Architecture

Example; BLST1-WS-3CS-BZK

SERIES	WATTAGE	COLOUR TEMP	FINISH	MOUNTING
BLST	1WS [5/10/15W] 2WS [10/20/30W]	3CS [3K-4K-5K]	BZ [BRONZE]	K [½"-KNUCKLE]

Beam spread 60 degrees				
BLST1	3000K	4000K	5000K	
5W	264 lm	248 lm	449 lm	
10W	585 lm	517 lm	816 lm	
15W	1215 lm	1274 lm	1380 lm	

Beam spread 60 degrees				
BLST2	3000K	4000K	5000K	
10W	689 lm	683 lm	1164 lm	
20W	1385 lm	1360 lm	2183 lm	
30W	2729 lm	2542 lm	2787 lm	

Beam spread 40 degrees				
BLST1	3000K	4000K	5000K	
5W	264 lm	248 lm	449 lm	
10W	581 lm	514 lm	811 lm	
15W	1141 lm	1196 lm	1296 lm	

Beam spread 40 degrees				
BLST2	3000K	4000K	5000K	
10W	689 lm	683 lm	1164 lm	
20W	1385 lm	1360 lm	2183 lm	
30W	2729 lm	2542 lm	2787 lm	

Beam spread 20 degrees				
BLST1	3000K	4000K	5000K	
5W	264 lm	248 lm	449 lm	
10W	585 lm	517 lm	816 lm	
15W	1042 lm	1092 lm	1183 lm	

Beam spread 20 degrees				
BLST2	3000K	4000K	5000K	
10W	689 lm	683 lm	1164 lm	
20W	1385 lm	1360 lm	2183 lm	
30W	2729 lm	2542 lm	2787 lm	

Optional Extras: suitable for ½" mounting accessories, (by others)