

Project:	
Location:	
Model#: FLD-150WS-3CS-WRV-BZ	Type:
Client:	Qty:
Prepared by:	Date:

SERIES SPECIFICATIONS

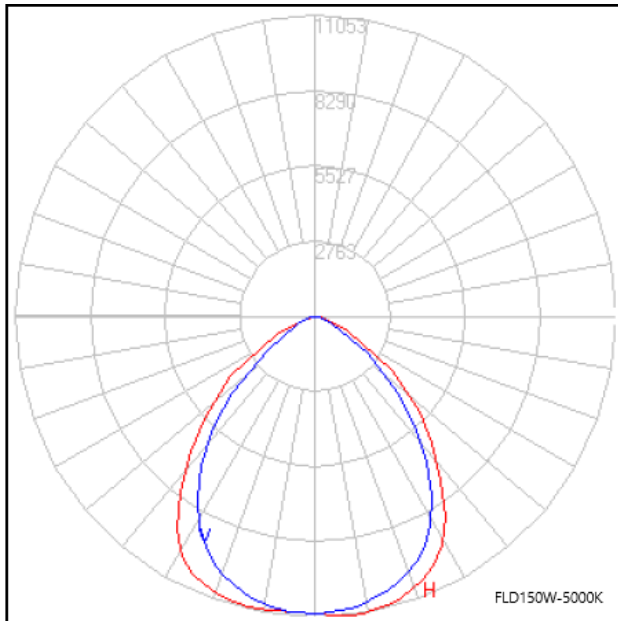


To supply TamLite's FLD Series of LED floodlights as specified. The luminaire shall operate at 120-347Vac and use a constant current type driver. Driver shall be dimmable by 1-10Vdc control. The housing shall be constructed of powder-coated die-cast Aluminium with a screw down rear wiring compartment with pre-fitted IP68 stainless steel strain relief with 6ft cab tire, and an impact resistant PMMA Optic. A durable formed gasket shall be provided between the enclosure and the lens, and the wiring compartment and housing. The reflector shall be made of highly specular material and contoured to maximize light output efficiency. All parts shall be corrosion resistant. LEDs shall be as specified, LUXEON® 3030 2D LED chips. The luminaire shall be cULus and DLC Listed.

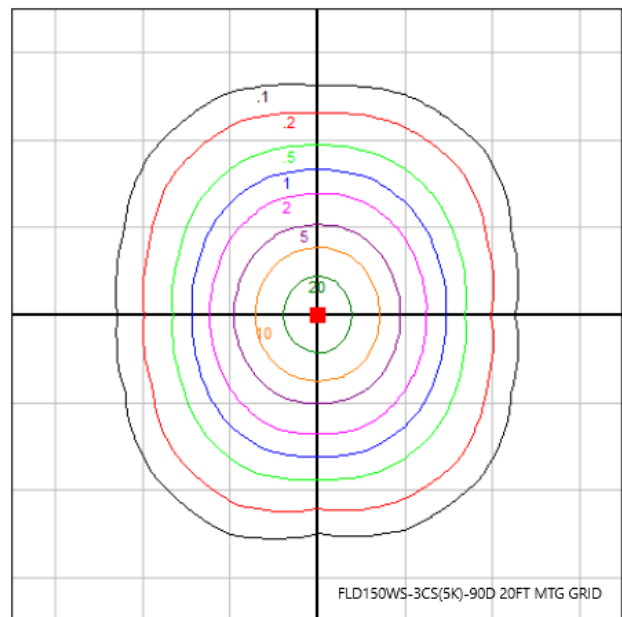


PERFORMANCE SPECIFICATIONS

Luminance Distribution Chart

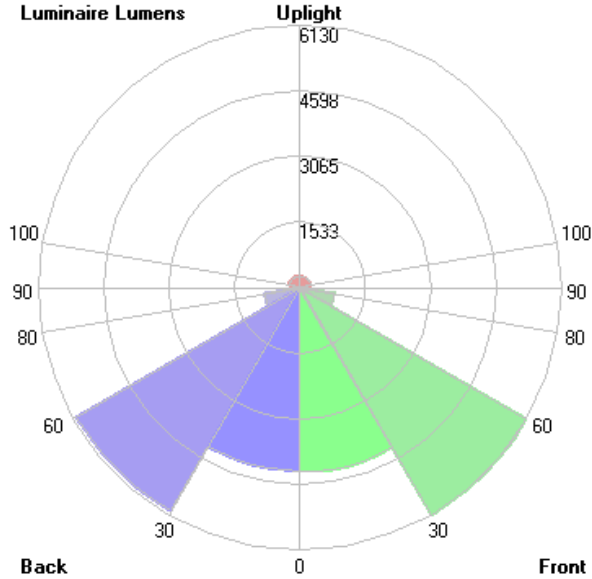


Isolux Diagram



Project:	
Location:	
Model#: FLD-150WS-3CS-WRV-BZ	Type:
Client:	Qty:
Prepared by:	Date:

BUG Graph



Lum. Classification System (LCS)

LCS Zone	Lumens	%Lamp	%Lum
FL (0-30)	4308.6	19.0	19.0
FM (30-60)	6130.0	27.0	27.0
FH (60-80)	830.4	3.7	3.7
FVH (80-90)	10.8	0.0	0.0
BL (0-30)	4280.8	18.8	18.8
BM (30-60)	6035.9	26.6	26.6
BH (60-80)	844.0	3.7	3.7
BVH (80-90)	21.0	0.1	0.1
UL (90-100)	8.7	0.0	0.0
UH (100-180)	262.3	1.2	1.2
Total	22732.5	100.1	100.0
BUG Rating		B4-U3-G1	

Initial Lumen Output: 22,500 lm
Luminaire Type: Led Flood Light
UL Classification: Wet
Limited Product Warranty: 5 years

Efficacy: 150lm/w
BUG Rating: B4-U0-G2
Ambient Operating Temp: -40? TO 50?

Beam Angle: 90°/75°/55°
Environmental Rating(s): IP65
Certification Standards: cULus

LED SPECIFICATIONS

Source Type: LED
L80: >102,000 Hrs
Colour Tolerance: ± 300K

CRI: >80
L90: 51000

L70: >102,000 Hrs
Colour Temperature: 3000K/4000K/5000K

ELECTRICAL SPECIFICATIONS

Input Voltage: 120-347Vac
Current Draw at 347Vac: 00.4640A
Power Factor at 347Vac: > 0.95
Max Operating Case Temperature: 50?
Short Circuit Protection: YES

Input Frequency: 50/60 Hz
Max On-Delay: <1s
THD at 120Vac(%): 3.15
Dimming: 1-10V

Current Draw at 120Vac: 01.2530A
Power Factor at 120Vac: > 0.95
THD at 347Vac(%): 12.36
Over Temperature Protection: YES

PHOTOCELL SENSOR INFORMATION

Sensor Type: Day Light

Control Type: ON-OFF

Input Voltage: From fixture

Project:	
Location:	
Model#: FLD-150WS-3CS-WRV-BZ	Type:
Client:	Qty:
Prepared by:	Date:

PHYSICAL SPECIFICATIONS

Finish Colour: Bronze
Lens Material: Glass/PC

Finish Type: Powder coat Finish Over a Chromate Conversion Coating
Weight: 12.1

Housing Material: Die-casting Aluminum
EPA: 0.83ft²

SHIPPING INFORMATION

OrderingCode(s): FLD-150WS-3CS-WRV-BZ

Box Weight: 2.1 kg /4.6 lbs.

Carton Weight: 12.1

Box Quantity: 1

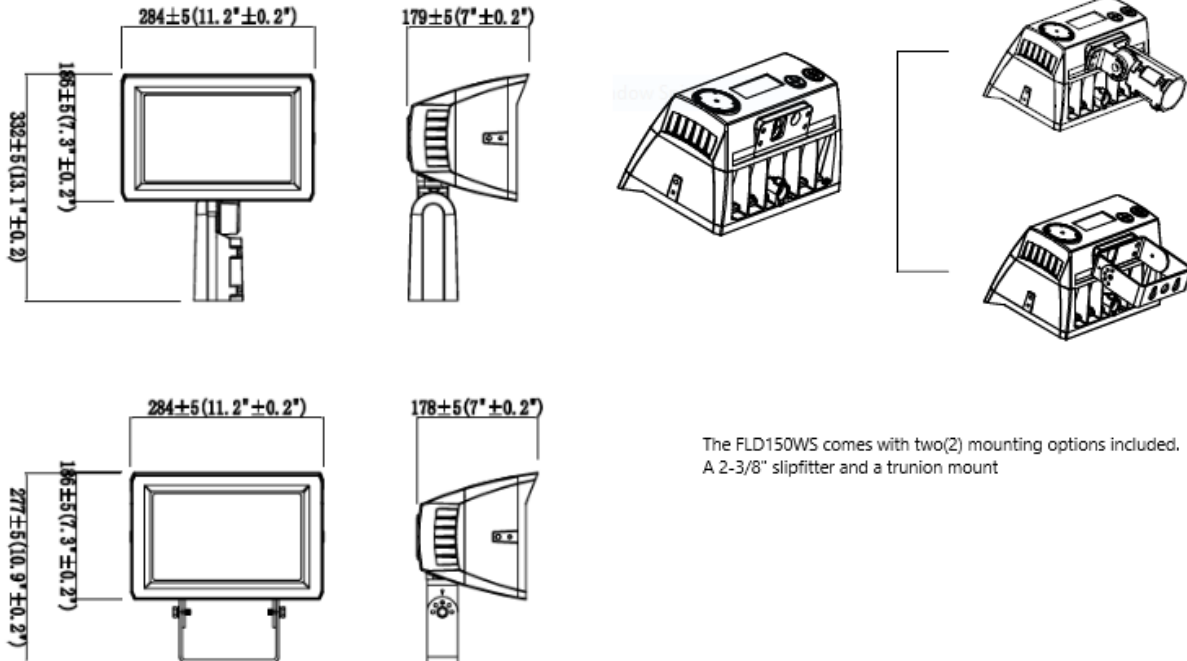
Carton Quantity: 1

Box Dimensions (L-W-H): 333 x 284 x 178 mm / 13.1 x 11.2 x 7 inches

Carton Dimensions (I-W-H): 13.58*12.99*9.87inch

LINE DRAWING

Line Drawings



The FLD150WS comes with two(2) mounting options included. A 2-3/8" slipfitter and a trunion mount



Project:	
Location:	
Model#: FLD-150WS-3CS-WRV-BZ	Type:
Client:	Qty:
Prepared by:	Date:

SERIES ARCHITECTURE

Series Architecture

Example; FLD-xxxWS-3CS-WRV-BZ

SERIES	WATTAGE(XXX)	CCT	VOLTAGE	COLOUR
FLD	150WS [150,125,100,80] 80WS [80,70,60,50] 60WS [60,55,50,45] 20WS [20,15,10,5]	3CS	WRV	BZ

Series	Adjusted Beam Angle	Selected Wattage	3000K		4000K		5000K	
			Lumens	LPW	Lumens	LPW	Lumens	LPW
FLD-150WS	90D	150	21,747	140.8	22,953	155.3	22,733	146.7
		125	17,759	143.3	18,585	155.7	18,305	147.1
		100	15,306	148.6	15,799	159.0	15,654	151.6
		80	12,337	153.3	13,219	164.6	12,654	157.7
	75D	150	20,879	135.2	22,117	143.2	22,401	145.1
		125	17,050	137.6	17,908	144.5	18,038	145.6
		100	14,695	142.7	15,224	147.8	15,425	149.8
		80	11,845	147.2	12,738	158.3	12,469	155.0
	55D	150	19,315	124.5	20,242	130.5	19,739	127.3
		125	15,143	122.2	15,793	127.5	15,662	126.4
		100	13,052	126.7	13,425	130.4	13,394	130.1
		80	10,520	130.7	11,233	139.6	10,827	134.5