



Project:	
Location:	
Model#: AL-450WS-3CS-WRV-SO-BZ	Type:
Client:	Qty:
Prepared by:	Date:

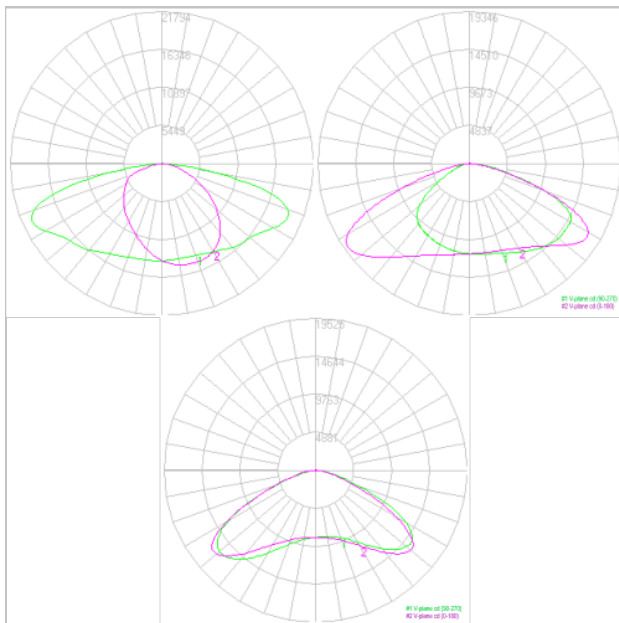
SERIES SPECIFICATIONS

The TamLite Lighting AL Series Area Light offers unparalleled customizability at your fingertips. Featuring quick swap optics, three different wattage and three CCT selection options, this fixture has 81 different configurations. The built in z10 socket and twist lock allow for motion and photo controls to be added without the need for tools, cutting down on your time in the air.

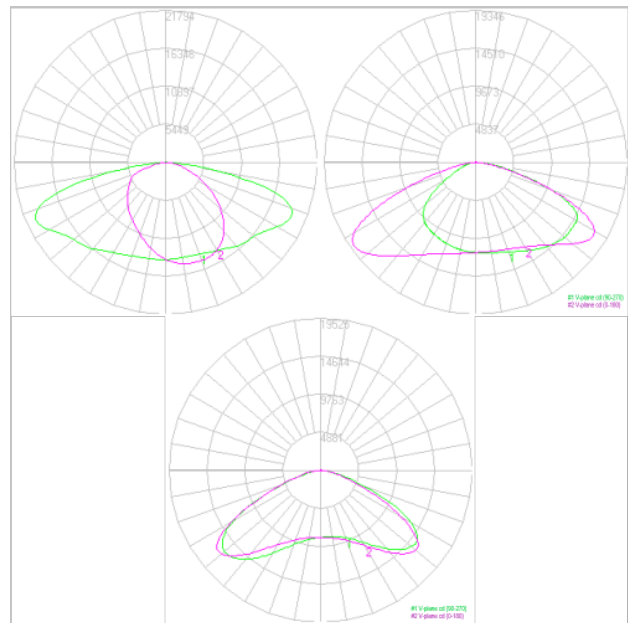


PERFORMANCE SPECIFICATIONS

Luminance Distribution Chart



Isolux Diagram



Initial Lumen Output: 61,200 lm at 4000K
T3
Luminaire Type: Type V - Medium
UL Classification: IFAM
Limited Product Warranty: 5 Year(s)

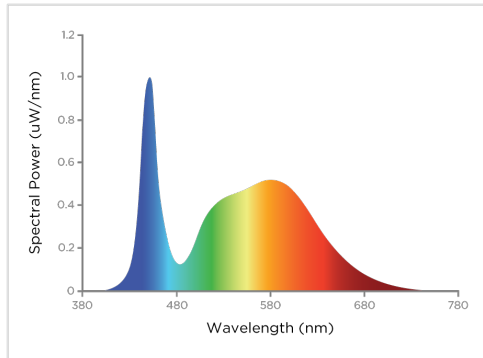
Efficacy: 136 lm/W
BUG Rating: B3-U0-G3
Ambient Operating Temp: -40°C to 50°C /
 -40°F to +122°F

Beam Angle: T5, T4, T3 optic panels provided
Environmental Rating(s): Wet Location Listed
Certification Standards: cULus

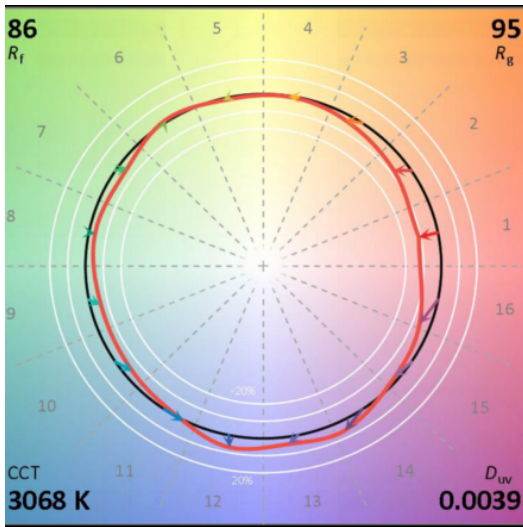
Project:	
Location:	
Model#: AL-450WS-3CS-WRV-SO-BZ	Type:
Client:	Qty:
Prepared by:	Date:

LED SPECIFICATIONS

SPD



TM-30



Source Type: LED
CRI: > 80
L70: >102,000 Hrs
Chromaticity: X=0.4377 Y=0.4141

Manufacturer: Lumileds
Rf: 86
L90: >63,000 Hrs
Colour Tolerance: < 7 SDCM

Part Number: L128
Rg: 95
Colour Temperature: 5000K
Duv: 0.0039

Project:	
Location:	
Model#: AL-450WS-3CS-WRV-SO-BZ	Type:
Client:	Qty:
Prepared by:	Date:

ELECTRICAL SPECIFICATIONS

Input Voltage: 120-347Vac	Input Frequency: 50/60 Hz	Fixture Draw: 449.1 W
Current Draw at 120Vac: 03.7500A	Current Draw at 347Vac: 01.2968A	Max On-Delay: < 1S
Auxiliary Control: 12 Vdc	Power Factor at 120Vac: > 0.95	Power Factor at 347Vac: > 0.95
THD at 120Vac(%): 20	THD at 347Vac(%): 20	Surge Suppression: YES
Dimming: YES	Over Temperature Protection: YES	Short Circuit Protection: YES

PHYSICAL SPECIFICATIONS

Finish Colour: Bronze (RAL-8019)	Finish Type: Powder Coat	Weight: 14.3 lbs., NO MOUNTING
EPA: 1.23 SQFT @45d SINGLE FIXTURE		

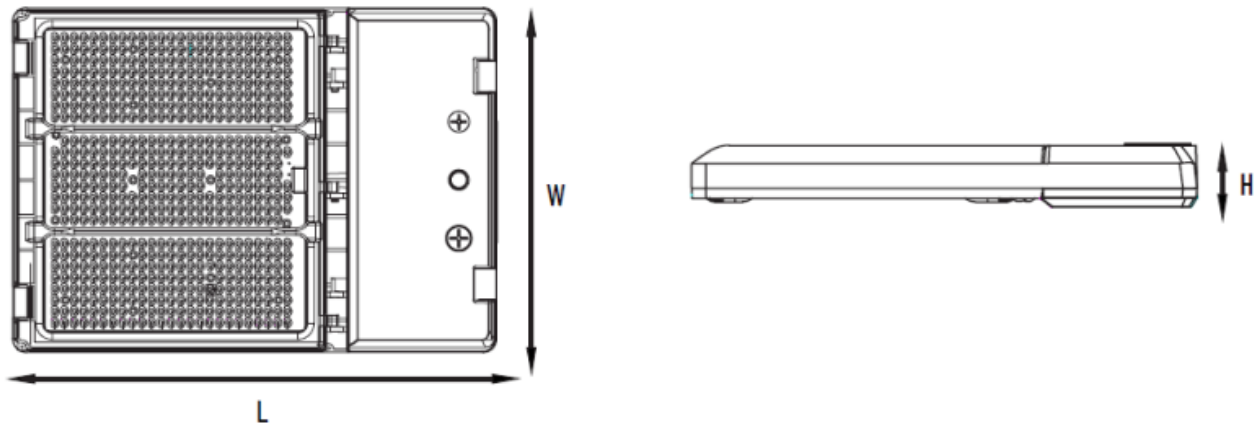
SHIPPING INFORMATION

OrderingCode(s): 0630-7284 AL-450WS-3CS-W-S0-NM-BZ 450/400/350W 3/4/5K 120-347V T3/T4/T5, Mounting Not included.		
Box Weight: 31.5 kg /14.3 lbs.	Box Quantity: 1	Box Dimensions (L-W-H): 660 x 405 x 35 mm / 26 x 15.9 x 1.4 inches

LINE DRAWING

Line Drawings

AL Fixture





Project:	
Location:	
Model#: AL-450WS-3CS-WRV-SO-BZ	Type:
Client:	Qty:
Prepared by:	Date:

SERIES ARCHITECTURE

Series Architecture

Example; AL-450WS-3CS-W-SO-NM-BZ

SERIES	WATTAGE	COLOUR TEMP (CCT)	VOLTAGE	OPTICS*	MOUNTING	FINISH
AL	[-150WS] : 150/120/100W [-240WS] : 240/200/150W [-300WS] : 300/240/200W [-450] : 350/400/450W	[-3CS] : Color Selectable 3000/4000/5000K	[-W] : 120-347VAC	[-SO] : Swappable Optics Included T3, T4, T5	[-NM] : No Mount	[-BZ] : Bronze Powder Coat

Series	Wattage	Optic	3000K		4000K		5000K	
			Lumens	LPW	Lumens	LPW	Lumens	LPW
AL-450WS	350	T2*	44233	129	47477	145	46212	134
		T3	43155	127	47579	146	46603	135
		T4	44304	130	48590	149	47303	138
		T5	45594	132	49179	150	47836	138
	400	T2*	47082	122	52197	142	50563	129
		T3	47838	123	53082	143	51578	131
		T4	49501	126	53426	144	51268	131
		T5	50081	128	54375	146	52466	133
	450	T2*	52424	117	59032	139	57757	127
		T3	54723	121	60357	141	58768	128
		T4	54473	121	60201	141	57331	127
		T5	54242	121	60695	143	53348	129

*; T2 optics not included in base offering. Must be ordered separately.
T3, T4, and T5 optics included in standard fixture packaging.

Optional Extras: ONLY FOR THE AL450 SERIES; AL-APM-450-BZ, AL-PB-450-BZ, AL-PM-450-BZ, AL-SF-450-BZ, AL-GLARE-450-BZ, AL-GLARE-L-450-BZ, AL-GLARE-R-450-BZ, AL-T2-XL