



Project:	
Location:	
Model#: AL-150WS-3CS-WRV-SO-BZ	Type:
Client:	Qty:
Prepared by:	Date:

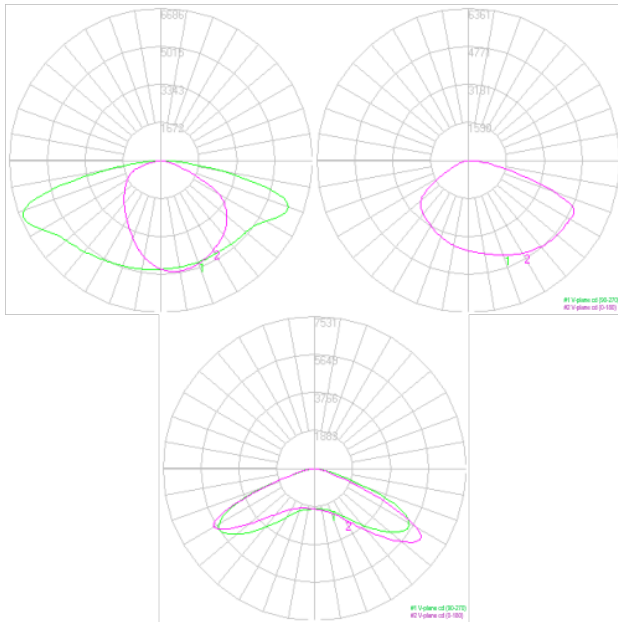
SERIES SPECIFICATIONS

The TamLite Lighting AL Series Area Light offers unparalleled customizability at your fingertips. Featuring quick swap optics, three different wattage and three CCT selection options, this fixture has 81 different configurations. The built in z10 socket and twist lock allow for motion and photo controls to be added without the need for tools, cutting down on your time in the air.



PERFORMANCE SPECIFICATIONS

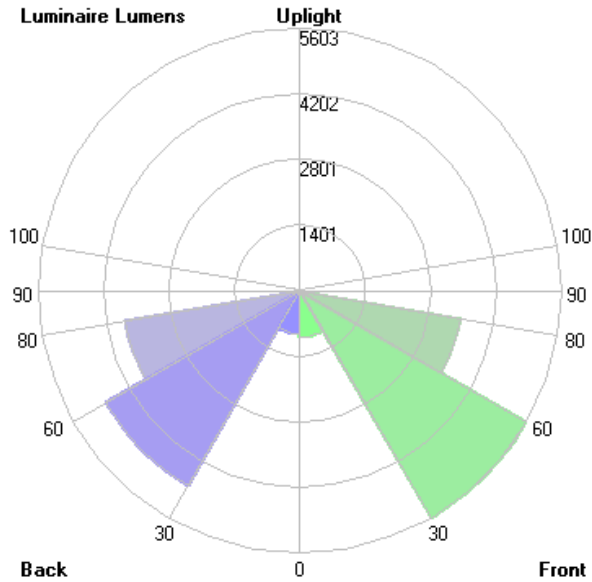
Luminance Distribution Chart





Project:	
Location:	
Model#: AL-150WS-3CS-WRV-SO-BZ	Type:
Client:	Qty:
Prepared by:	Date:

BUG Graph



Lum. Classification System (LCS)

LCS Zone	Lumens	%Lum
FL (0-30)	1000.5	5.1
FM (30-60)	5602.6	28.3
FH (60-80)	3498.5	17.7
FVH (80-90)	83.4	0.4
BL (0-30)	923.3	4.7
BM (30-60)	4799.6	24.2
BH (60-80)	3801.8	19.2
BVH (80-90)	100.2	0.5
UL (90-100)	0.0	0.0
UH (100-180)	0.0	0.0
Total	19809.9	100.0
BUG Rating		B4-U0-G2

Initial Lumen Output: 15,044lm at 4000K
 T5
Luminaire Type: Type V - Medium
UL Classification: IFAM
Limited Product Warranty: 5 Year(s)

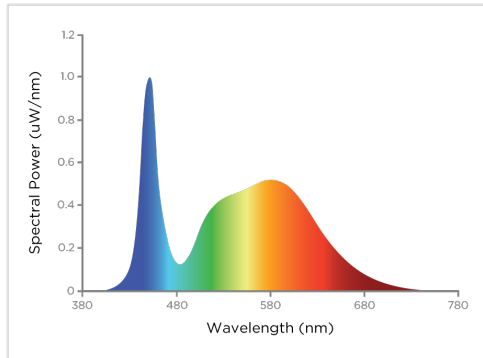
Efficacy: 155 lm/W
BUG Rating: B4-U0-G2
Ambient Operating Temp: -40°C to 50°C /
 -40°F to +122°F

Beam Angle: T5, T4, T3 optic panels provided
Environmental Rating(s): Wet Location Listed
Certification Standards: cULus, DLC-Premium

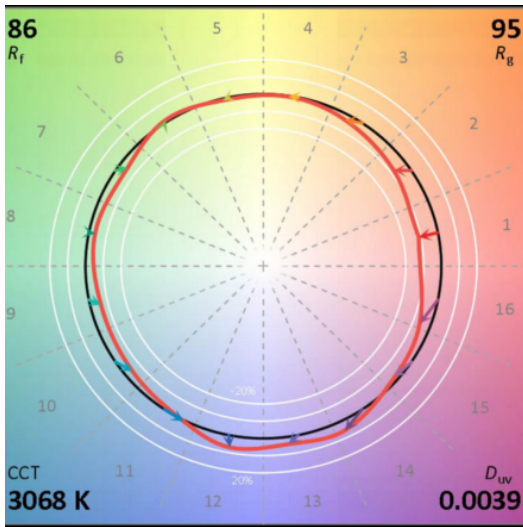
Project:	
Location:	
Model#: AL-150WS-3CS-WRV-SO-BZ	Type:
Client:	Qty:
Prepared by:	Date:

LED SPECIFICATIONS

SPD



TM-30



Source Type: LED
CRI: > 80
L70: >102,000 Hrs
Chromaticity: X=0.4377 Y=0.4141

Manufacturer: Lumileds
Rf: 86
L90: >63,000 Hrs
Colour Tolerance: < 7 SDCM

Part Number: L128
Rg: 95
Colour Temperature: 5000K
Duv: 0.0039

Project:	
Location:	
Model#: AL-150WS-3CS-WRV-SO-BZ	Type:
Client:	Qty:
Prepared by:	Date:

ELECTRICAL SPECIFICATIONS

Input Voltage: 120-347Vac	Input Frequency: 50/60 Hz	Fixture Draw: 145.50 W
Current Draw at 120Vac: 01.2190A	Current Draw at 347Vac: 00.4327A	Max On-Delay: < 1S
Auxiliary Control: 12 Vdc	Power Factor at 120Vac: > 0.95	Power Factor at 347Vac: > 0.95
THD at 120Vac(%): 20	THD at 347Vac(%): 20	Surge Suppression: YES
Dimming: YES	Over Temperature Protection: YES	Short Circuit Protection: YES

PHYSICAL SPECIFICATIONS

Finish Colour: Bronze (RAL-8019)	Finish Type: Powder Coat	Weight: 10.2 lbs., NO MOUNTING
EPA: 1.05 SQFT @45d SINGLE FIXTURE		

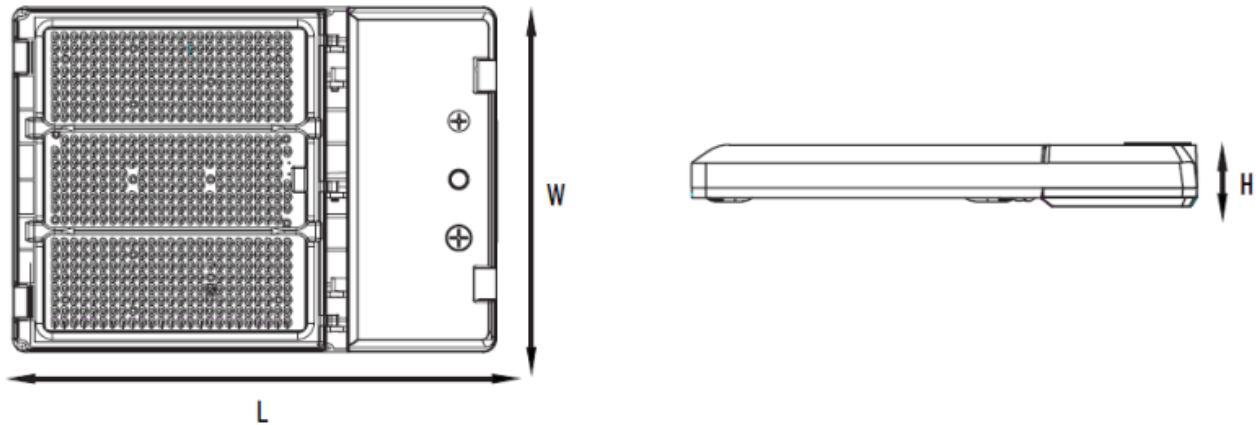
SHIPPING INFORMATION

OrderingCode(s): 0627-8685 AL-150WS-3CS-W-S0-NM-BZ 150/120/100W 3/4/5K 120-347V T3/T4/T5, Mounting Not included.
Box Quantity: 1 **Box Weight:** .

LINE DRAWING

Line Drawings

AL Fixture





Project:	
Location:	
Model#: AL-150WS-3CS-WRV-SO-BZ	Type:
Client:	Qty:
Prepared by:	Date:

SERIES ARCHITECTURE

Series Architecture

Example; AL-150WS-3CS-W-SO-NM-BZ

SERIES	WATTAGE	COLOUR TEMP (CCT)	VOLTAGE	OPTICS*	MOUNTING	FINISH
AL	[-150WS] : 150/120/100W [-240WS] : 240/200/150W [-300WS] : 300/240/200W	[-3CS] : Color Selectable 3000/4000/5000K	[-W] : 120-347VAC	[-SO] : Swappable Optics Included T3, T4, T5	[-NM] : No Mount	[-BZ] : Bronze Powder Coat

Series	Wattage	Optic	3000K		4000K		5000K	
			Lumens	LPW	Lumens	LPW	Lumens	LPW
AL-150WS	100	T2	13786	138	14839	148	14480	145
		T3	13562	136	14693	147	14281	143
		T4	13679	137	14796	148	14405	144
		T5	13877	139	15045	150	14667	147
	120	T2	15575	130	17035	142	16461	137
		T3	15385	128	16832	140	16215	135
		T4	15504	129	16947	141	16308	136
		T5	15733	131	17240	144	16633	139
	150	T2	17720	118	19623	131	18697	125
		T3	17383	116	19344	129	18400	123
		T4	17599	117	19482	130	18534	124
		T5	17900	119	19810	132	18866	126

Optional Extras: AL-APM-BZ, AL-PB-BZ, AL-PM-BZ, AL-SF-BZ, AL-GLARE-150-BZ, AL-GLARE-L-150-BZ, AL-GLARE-R-150-BZ, AL-T2-SM, AL-TR-BZ