



Project:	
Location:	
Model#: AL-240WS-3CS-WRV-SO-BZ	Type:
Client:	Qty:
Prepared by:	Date:

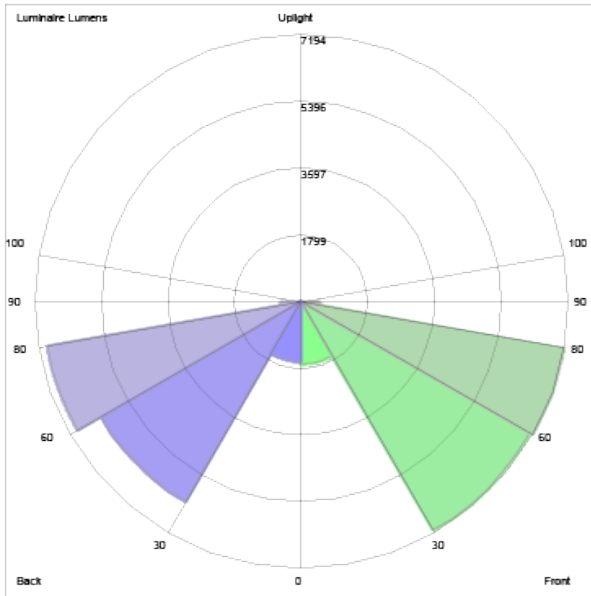
SERIES SPECIFICATIONS

The TamLite Lighting AL Series Area Light offers unparalleled customizability at your fingertips. Featuring quick swap optics, three different wattage and three CCT selection options, this fixture has 81 different configurations. The built in z10 socket and twist lock allow for motion and photo controls to be added without the need for tools, cutting down on your time in the air.



PERFORMANCE SPECIFICATIONS

BUG Graph



LUMINAIRE CLASSIFICATION SYSTEM (LCS)

	Lumens	% Lamp	% Luminaire
FL - Front-Low (0-30)	1684.9	5.3	5.3
FM - Front-Medium (30-60)	7119.2	22.3	22.3
FH - Front-High (60-80)	7194.1	22.5	22.8
FVH - Front-Very High (80-90)	492.2	1.5	1.5
BL - Back-Low (0-30)	1617.8	5.1	5.1
BM - Back-Medium (30-60)	6225.7	19.5	19.5
BH - Back-High (60-80)	6965.2	21.8	21.9
BVH - Back-Very High (80-90)	556.2	1.7	1.7
UL - Uplight-Low (90-100)	0.0	0.0	0.0
UH - Uplight-High (100-180)	0.0	0.0	0.0
Total	31855.3	99.7	100.0

BUG Rating: B5-U0-G4

Initial Lumen Output: 29,530lm at 4000K
T5
Luminaire Type: Type V - Medium
UL Classification: IFAM
Limited Product Warranty: 5 Year(s)

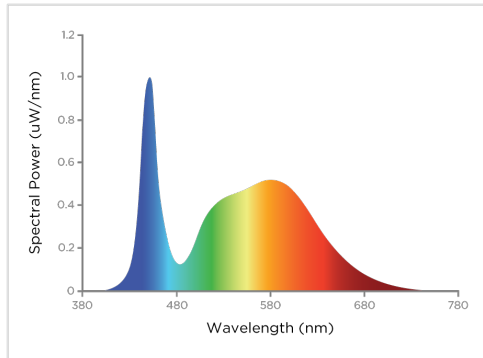
Efficacy: 156 lm/W
BUG Rating: B5-U0-G4
Ambient Operating Temp: -40°C to 50°C /
 -40°F to +122°F

Beam Angle: T5, T4, T3 optic panels provided
Environmental Rating(s): Wet Location Listed
Certification Standards: cULus, DLC-Premium

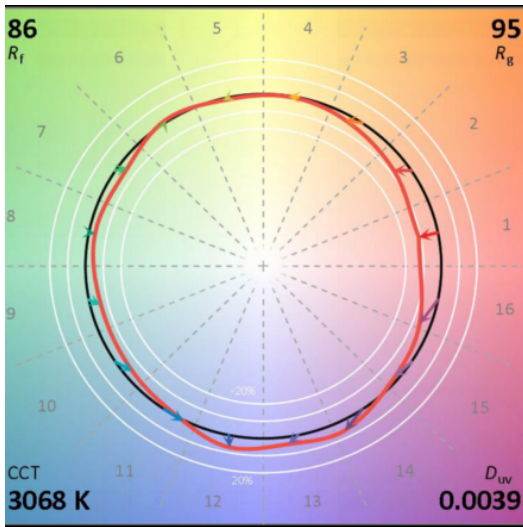
Project:	
Location:	
Model#: AL-240WS-3CS-WRV-SO-BZ	Type:
Client:	Qty:
Prepared by:	Date:

LED SPECIFICATIONS

SPD



TM-30



Source Type: LED
 CRI: > 80
 L70: >102,000 Hrs
 Chromaticity: X=0.4377 Y=0.4141

Manufacturer: Lumileds
 Rf: 86
 L90: >63,000 Hrs
 Colour Tolerance: < 7 SDCM

Part Number: L128
 Rg: 95
 Colour Temperature: 5000K
 Duv: 0.0039

Project:	
Location:	
Model#: AL-240WS-3CS-WRV-SO-BZ	Type:
Client:	Qty:
Prepared by:	Date:

ELECTRICAL SPECIFICATIONS

Input Voltage: 120-347Vac	Input Frequency: 50/60 Hz	Fixture Draw: 237.90 W
Current Draw at 120Vac: 01.9920A	Current Draw at 347Vac: 00.7261A	Max On-Delay: < 1S
Auxiliary Control: 12 Vdc	Power Factor at 120Vac: > 0.95	Power Factor at 347Vac: > 0.95
THD at 120Vac(%): 20	THD at 347Vac(%): 20	Surge Suppression: YES
Dimming: YES	Over Temperature Protection: YES	Short Circuit Protection: YES

PHYSICAL SPECIFICATIONS

Finish Colour: Bronze (RAL-8019)	Finish Type: Powder Coat	Weight: 14.3 lbs., NO MOUNTING
EPA: 1.23 SQFT @45d SINGLE FIXTURE		

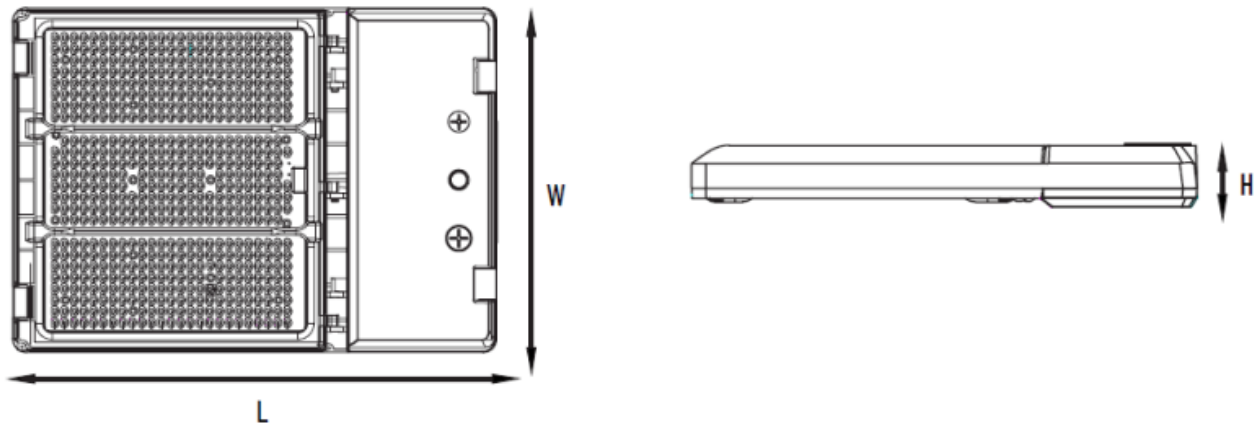
SHIPPING INFORMATION

OrderingCode(s): 0627-8688 AL-240WS-3CS-W-S0-NM-BZ 240/200/150W 3/4/5K 120-347V T3/T4/T5, Mounting Not included.		
Box Weight: 30.8 kg /14 lbs.	Box Quantity: 1	Box Dimensions (L-W-H): 660 x 405 x 35 mm / 26 x 15.9 x 1.4 inches

LINE DRAWING

Line Drawings

AL Fixture





Project:	
Location:	
Model#: AL-240WS-3CS-WRV-SO-BZ	Type:
Client:	Qty:
Prepared by:	Date:

SERIES ARCHITECTURE

Series Architecture

Example; AL-240WS-3CS-W-SO-NM-BZ

SERIES	WATTAGE	COLOUR TEMP (CCT)	VOLTAGE	OPTICS*	MOUNTING	FINISH
AL	[-150WS] : 150/120/100W [-240WS] : 240/200/150W [-300WS] : 300/240/200W	[-3CS] : Color Selectable 3000/4000/5000K	[-W] : 120-347VAC	[-SO] : Swappable Optics Included T3, T4, T5	[-NM] : No Mount	[-BZ] : Bronze Powder Coat

Series	Wattage	Optic	3000K		4000K		5000K	
			Lumens	LPW	Lumens	LPW	Lumens	LPW
AL-240WS	150	T2	21744	145	23051	154	22524	150
		T3	22109	147	23397	156	22635	151
		T4	21943	146	23200	155	22509	150
		T5	21880	146	22978	153	22391	149
	200	T2	27374	182	29440	196	28233	188
		T3	27666	138	29688	148	28487	142
		T4	27477	137	29555	148	28440	142
		T5	27482	137	29530	148	28375	142
	240	T2	30922	129	33414	139	31773	132
		T3	31170	130	33713	140	32061	134
		T4	30864	129	33478	139	31878	133
		T5	30830	128	33474	139	31856	133

Optional Extras: AL-APM-BZ, AL-PB-BZ, AL-PM-BZ, AL-SF-BZ, AL-GLARE-240-300-BZ, AL-GLARE-L-240-300-BZ, AL-GLARE-R-240-300-BZ, AL-T2-LG, AL-TR-BZ