



Project:	
Location:	
Model#: AL-300WS-3CS-WRV-SO-BZ	Type:
Client:	Qty:
Prepared by:	Date:

SERIES SPECIFICATIONS

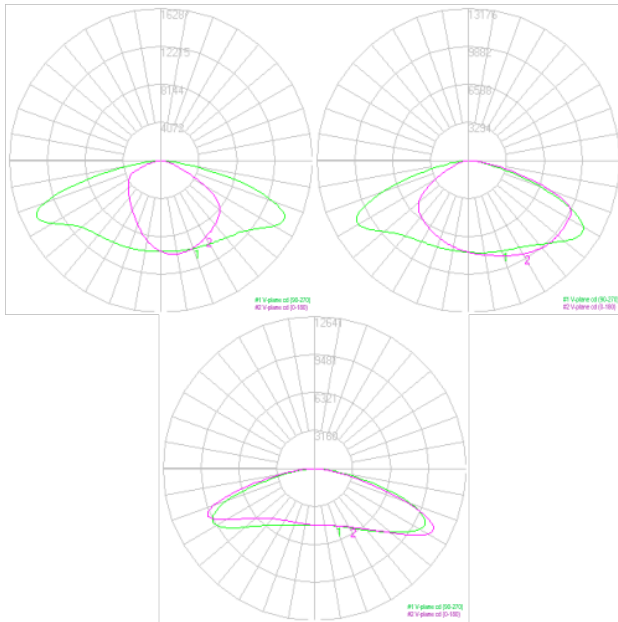


The TamLite Lighting AL Series Area Light offers unparalleled customizability at your fingertips. Featuring quick swap optics, three different wattage and three CCT selection options, this fixture has 81 different configurations. The built in z10 socket and twist lock allow for motion and photo controls to be added without the need for tools, cutting down on your time in the air.



PERFORMANCE SPECIFICATIONS

Luminance Distribution Chart



Initial Lumen Output: 33,592lm at 4000K
T5
Luminaire Type: Type V - Medium
UL Classification: IFAM
Limited Product Warranty: 5 Year(s)

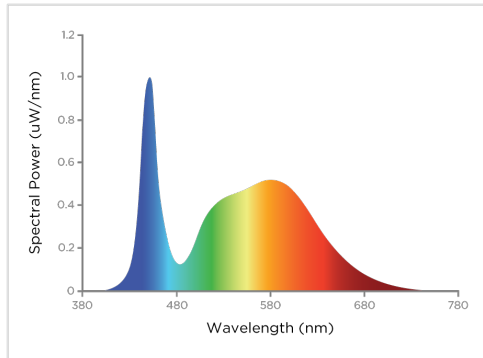
Efficacy: 150 lm/W
BUG Rating: B3-U0-G3
Ambient Operating Temp: -40°C to 50°C /
 -40°F to +122°F

Beam Angle: T5, T4, T3 optic panels provided
Environmental Rating(s): Wet Location Listed
Certification Standards: cULus, DLC-Premium

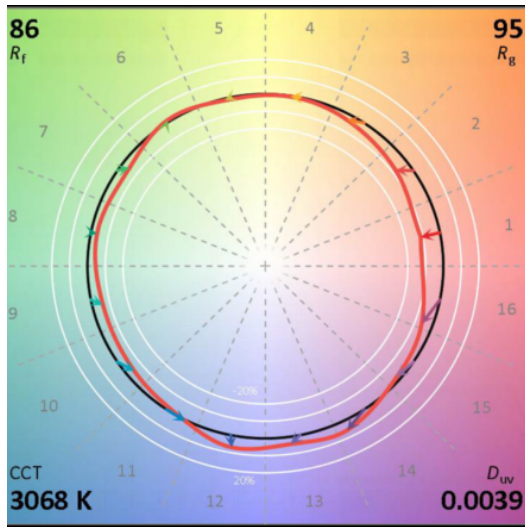
Project:	
Location:	
Model#: AL-300WS-3CS-WRV-SO-BZ	Type:
Client:	Qty:
Prepared by:	Date:

LED SPECIFICATIONS

SPD



TM-30



Source Type: LED
 CRI: > 80
 L70: >102,000 Hrs
 Chromaticity: X=0.4377 Y=0.4141

Manufacturer: Lumileds
 Rf: 86
 L90: >63,000 Hrs
 Colour Tolerance: < 7 SDCM

Part Number: L128
 Rg: 95
 Colour Temperature: 5000K
 Duv: 0.0039

Project:	
Location:	
Model#: AL-300WS-3CS-WRV-SO-BZ	Type:
Client:	Qty:
Prepared by:	Date:

ELECTRICAL SPECIFICATIONS

Input Voltage: 120-347Vac	Input Frequency: 50/60 Hz	Fixture Draw: 298.40 W
Current Draw at 120Vac: 02.5000A	Current Draw at 347Vac: 00.9247A	Max On-Delay: < 1S
Auxiliary Control: 12 Vdc	Power Factor at 120Vac: > 0.95	Power Factor at 347Vac: > 0.95
THD at 120Vac(%): 20	THD at 347Vac(%): 20	Surge Suppression: YES
Dimming: YES	Over Temperature Protection: YES	Short Circuit Protection: YES

PHYSICAL SPECIFICATIONS

Finish Colour: Bronze (RAL-8019)	Finish Type: Powder Coat	Weight: 14.3 lbs., NO MOUNTING
EPA: 1.23 SQFT @45d SINGLE FIXTURE		

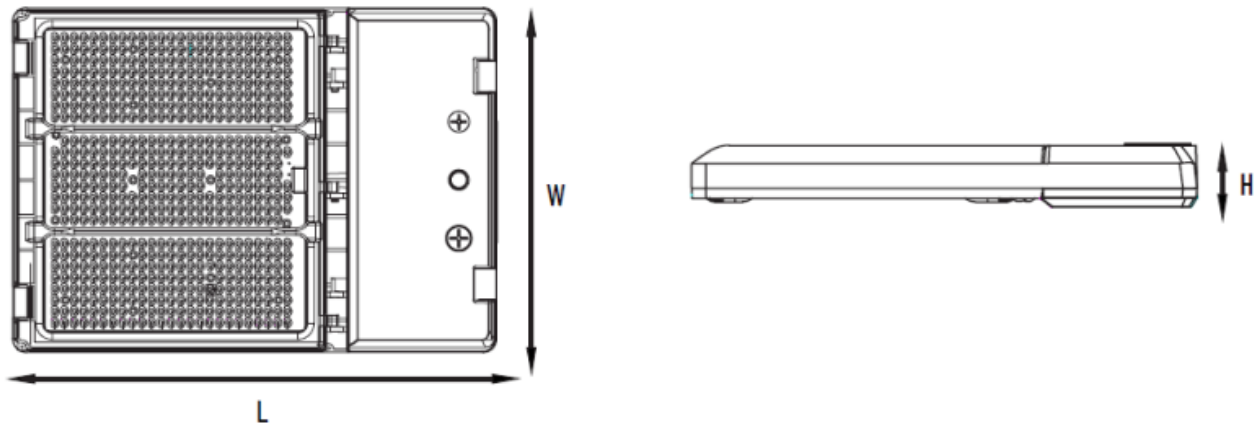
SHIPPING INFORMATION

OrderingCode(s): 0627-8691 AL-300WS-3CS-W-S0-NM-BZ 300/240/200W 3/4/5K 120-347V T3/T4/T5, Mounting Not included.		
Box Weight: 31.5 kg /14.3 lbs.	Box Quantity: 1	Box Dimensions (L-W-H): 660 x 405 x 35 mm / 26 x 15.9 x 1.4 inches

LINE DRAWING

Line Drawings

AL Fixture





Project:	
Location:	
Model#: AL-300WS-3CS-WRV-SO-BZ	Type:
Client:	Qty:
Prepared by:	Date:

SERIES ARCHITECTURE

Series Architecture

Example: AL-300WS-3CS-W-SO-NM-BZ

SERIES	WATTAGE	COLOUR TEMP (CCT)	VOLTAGE	OPTICS*	MOUNTING	FINISH
AL	[-150WS] : 150/120/100W [-240WS] : 240/200/150W [-300WS] : 300/240/200W	[-3CS] : Color Selectable 3000/4000/5000K	[-W] : 120-347VAC	[-SO] : Swappable Optics Included T3, T4, T5	[-NM] : No Mount	[-BZ] : Bronze Powder Coat

Series	Wattage	Optic	3000K		4000K		5000K	
			Lumens	LPW	Lumens	LPW	Lumens	LPW
AL-300WS	200	T2	26765	136	29128	154	28333	143
		T3	26995	137	29360	156	28577	144
		T4	27207	138	29285	155	28509	144
		T5	26712	135	28943	153	28254	139
	240	T2	30856	130	33961	151	32595	137
		T3	31144	131	34254	152	32847	138
		T4	31108	131	34200	152	32869	138
		T5	30535	129	33670	150	32254	133
	300	T2	30694	122	40310	145	38078	129
		T3	36495	124	40674	147	38370	130
		T4	36247	123	40550	146	38304	130
		T5	35644	121	39993	144	37276	125

Optional Extras: AL-APM-BZ, AL-PB-BZ, AL-PM-BZ, AL-SF-BZ, AL-GLARE-240-300-BZ, AL-GLARE-L-240-300-BZ, AL-GLARE-R-240-300-BZ, AL-T2-LG, AL-TR-BZ