

Project:	
Location:	
Model#: WL2-WS-3CS-WRV	Type:
Client:	Qty:
Prepared by:	Date:

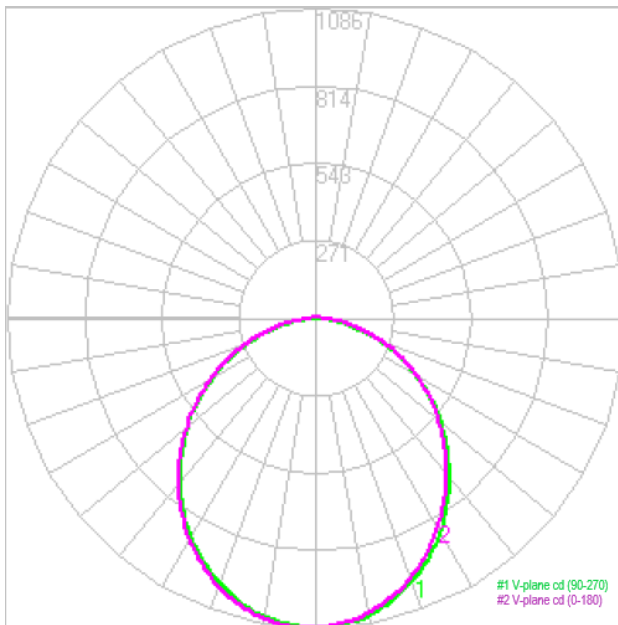
SERIES SPECIFICATIONS

The WL Series is a surface-mounted LED wraparound fixture featuring field-selectable colour temperature (3500K/4000K/5000K) and wattage options. Designed for flexibility and performance, it offers smooth 0-10V dimming and delivers energy-efficient, uniform illumination. Ideal for commercial, retail, and utility spaces.

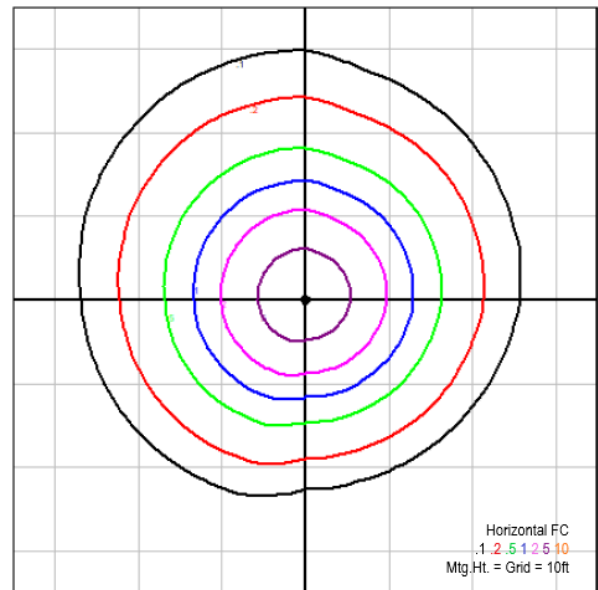


PERFORMANCE SPECIFICATIONS

Luminance Distribution Chart



Isolux Diagram



Zonal Lumen Summary

Zone	Lumens	Zone	Lumens	Zone	Lumens	Zone	Lumens	Zone	Lumens	Zone	Lumens
0-10	102.27	30-40	504.29	60-70	336.62	90-100	5.38	120-130	1.53	150-160	1.17
10-20	289.58	40-50	508.52	70-80	190.78	100-110	1.04	130-140	1.66	160-170	0.85
20-30	429.73	50-60	448.72	80-90	55.7	110-120	1.57	140-150	1.47	170-180	0.28

Total Initial Lumen Output: 2881.16 lm



Project:	
Location:	
Model#: WL2-WS-3CS-WRV	Type:
Client:	Qty:
Prepared by:	Date:

Co-efficient of Utilization

RC RW	80				70				50			30		
	70	50	30	10	70	50	30	10	50	30	10	50	30	10
0	119	119	119	119	116	116	116	116	111	111	111	106	106	106
1	109	104	99	95	106	101	97	94	97	94	91	93	90	88
2	98	90	83	77	96	88	82	76	84	79	74	81	77	73
3	90	79	70	64	87	77	69	63	74	68	62	71	66	61
4	82	70	61	54	80	68	60	53	66	58	53	63	57	52
5	75	62	53	46	73	61	52	46	59	51	45	57	50	45
6	69	56	47	40	67	55	46	40	53	45	40	51	45	39
7	64	51	42	35	63	50	41	35	48	41	35	47	40	35
8	60	46	38	32	58	45	37	31	44	37	31	43	36	31
9	56	42	34	28	54	42	34	28	41	33	28	39	33	28
10	52	39	31	26	51	38	31	26	37	30	26	37	30	25

Initial Lumen Output: 2,881 lm@35K
CBCP: 1,085 CD
Luminaire Type: Surface Direct
UL Classification: Dry Location Only
DLC Number: BHNCNF (Family Code)

Efficacy: 133 lm/W @35K
Beam Angle: 120°
Spacing Criteria: 1.22(0-180), 1.22(90-270)
Ambient Operating Temp: -20°C to 40°C / -2°F to 105°F
Limited Product Warranty: 5 Year(s)

Max Candela: 1,085 CD
Field Angle: 140°
Environmental Rating(s): IP20
Certification Standards: UL Safety US-CA , DLC-Listed

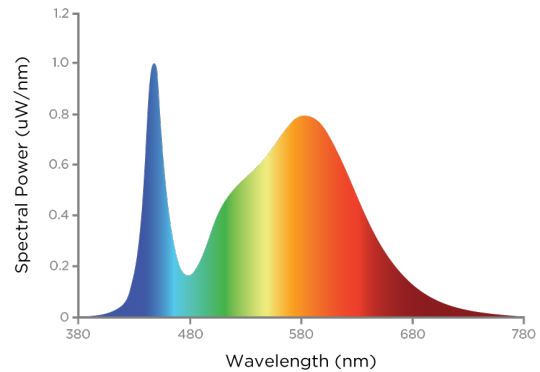
Project:	
Location:	
Model#: WL2-WS-3CS-WRV	Type:
Client:	Qty:
Prepared by:	Date:

LED SPECIFICATIONS

R Tables

R1	82	R9	12
R2	88	R10	72
R3	93	R11	82
R4	83	R12	62
R5	82	R13	83
R6	84	R14	96
R7	86	R15	77
R8	87	Ra	83

SPD



Source Type: LED
L80: .

CRI: >80
L90: .

L70: >50,000 Hrs
Colour Temperature: 3500K, 4000K, 5000K Field Selectable

ELECTRICAL SPECIFICATIONS

Input Voltage: 120-347Vac
Current Draw at 120Vac: 00.1833A
Inrush Current: 30A peak, 1.2ms duration, < 0.25A2S at 120Vac, Cold Start
Power Factor at 347Vac: >0.95
Driver MTBF: 200,000hrs
Dimming: 0-10Vdc, (0% Min Light Level)
Short Circuit Protection: Auto Recovery.
 The output shall return to normal when the fault condition is removed.

Input Frequency: 50/60 Hz
Current Draw at 277Vac: 00.0794A
Max On-Delay: <1s
THD at 120Vac(%): <5%
Max Operating Case Temperature: <90C
Dimming Current mA: .5mA draw
Driver Certifications: c-RU-us Class 2, FCC Part 15 Class B, RoHS

Fixture Draw: 21.70 W
Current Draw at 347Vac: 00.0634A
Power Factor at 120Vac: > 0.95
THD at 347Vac(%): <20%
Surge Suppression: 2kV (Line-Line), 4kV (Line-Earth)
Over Temperature Protection: Auto recovery. Current returns to normal after over temperature is removed.

Project:	
Location:	
Model#: WL2-WS-3CS-WRV	Type:
Client:	Qty:
Prepared by:	Date:

PHYSICAL SPECIFICATIONS

Finish Colour: White
Mounting: Surface, Suspended
Lens Type: Frosted Prismatic

Finish Type: Textured Powder Coat over Chromate Conversion Coat
Housing Material: Heavy Gauge Steel
Reflector Material: Painted Steel

Wiring: Back and End Knock outs with luminaire disconnect
Lens Material: PMMA
Entries: End and back 1/2" knock-outs

SHIPPING INFORMATION

OrderingCode(s): 0630-2535 WL2-WS-3CS-WRV

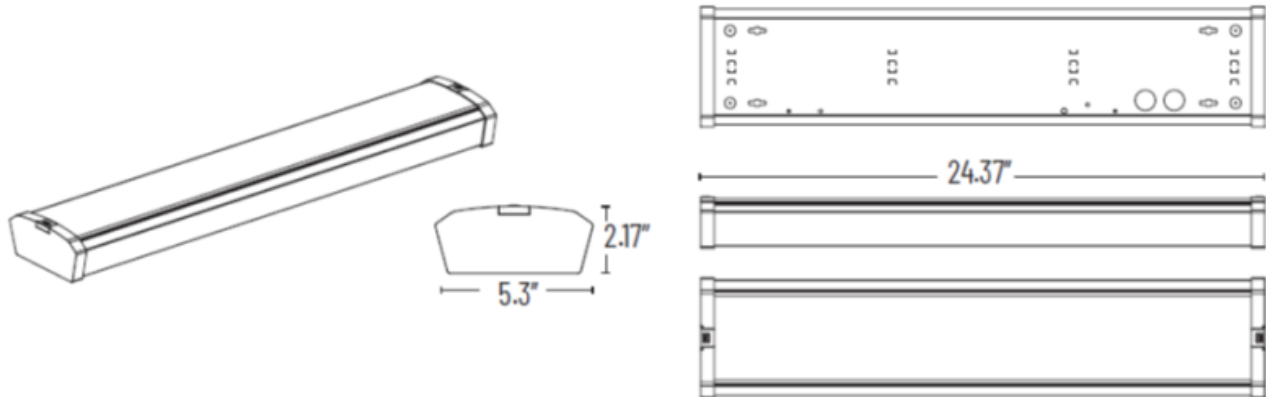
Box Weight: KG LBS
Carton Weight: KG LBS

Box Quantity: 1
Carton Quantity: 6

Box Dimensions (L-W-H): L W H
Carton Dimensions (I-W-H): L W H

LINE DRAWING

Line Drawings





Project:	
Location:	
Model#: WL2-WS-3CS-WRV	Type:
Client:	Qty:
Prepared by:	Date:

SERIES ARCHITECTURE

Series Architecture

SERIES	SIZE	COLOUR SELECTABLE	WATTAGE SELECTABLE	VOLTAGE
WL	2'	3500K/4000K/5000K	22/18/15W	120-347VAC
	4'		39/33/29W	

SERIES	WATTAGE	3500K		4000K		5000K	
		LUMENS	LPW	LUMENS	LPW	LUMENS	LPW
WL2-WS-3CS-WRV	21.7	2881	133	2934	135	2982	133
	18	2389	133	2464	137	2886	160
	15	1991	133	2037	136	2882	192
WL4-WS-3CS-WRV	38.4	5214	136	5561	145	5444	142
	33	4480	136	4617	140	5216	158
	29	3937	136	4045	139	5226	180